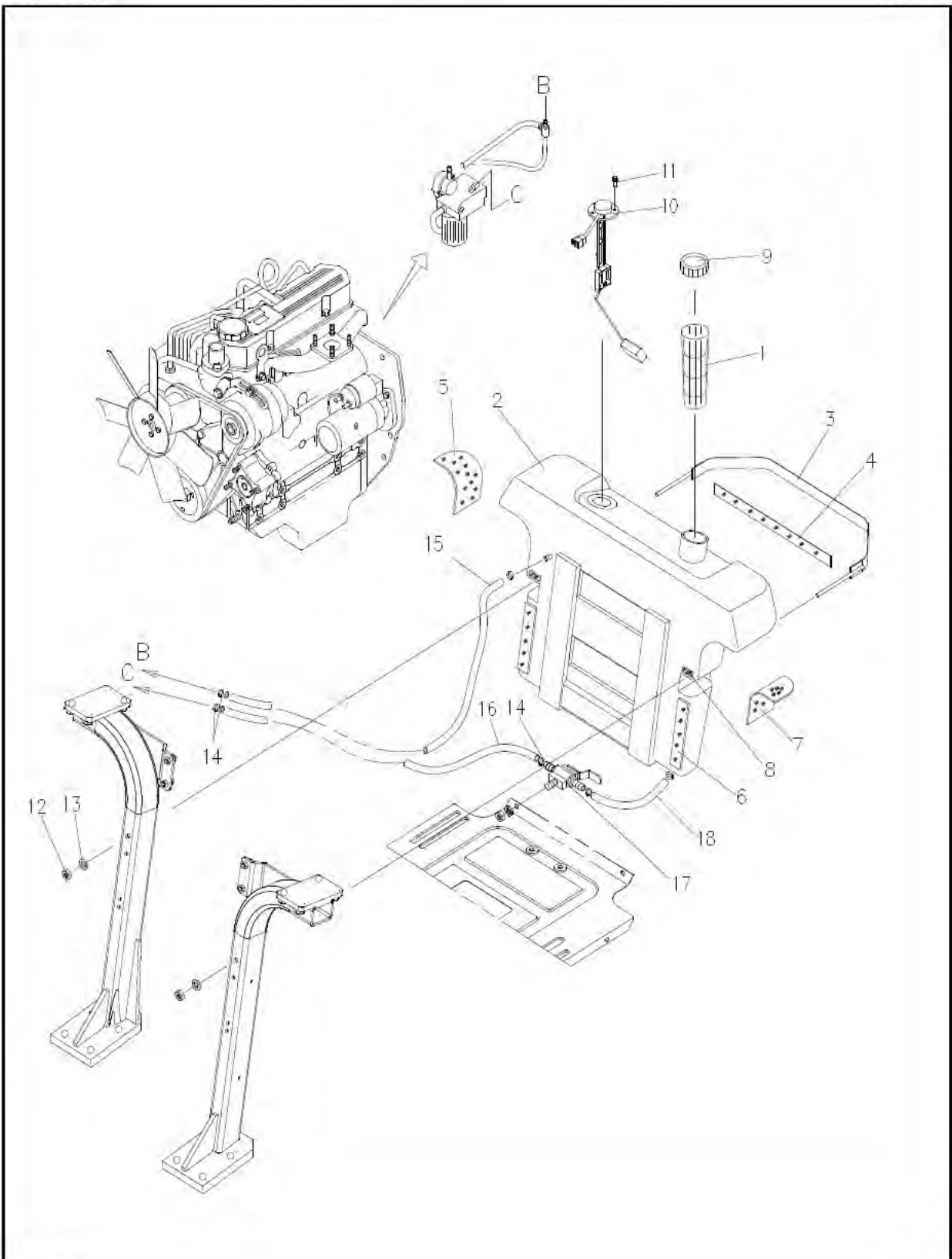


FUEL TANK

FIG. 2-1B

G. 040



FUEL TANK

A-LT280D, B-LT300D, C-LT360D

A-LT280D, B-LT300D, C-LT360D

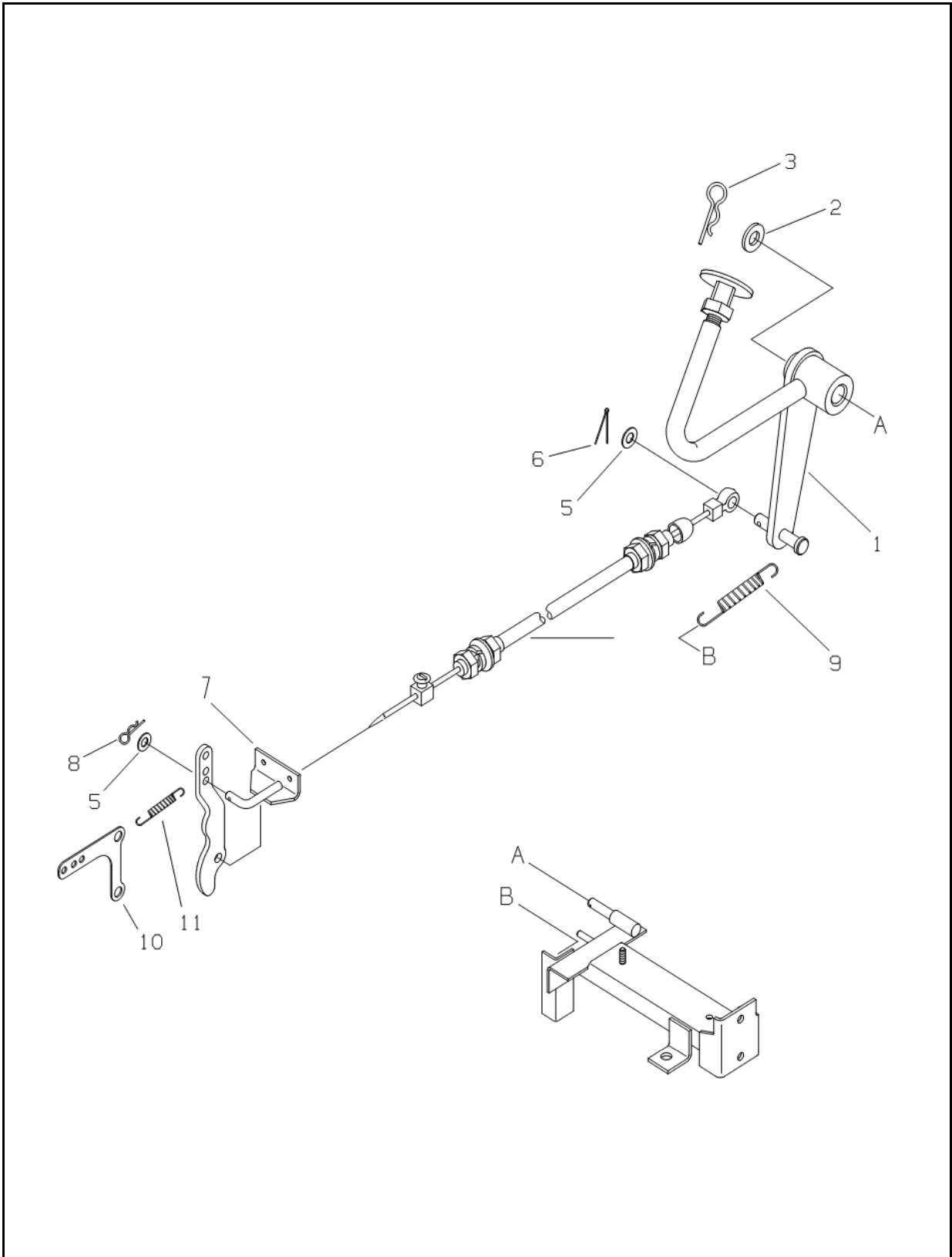
FIG. 2-1B EX, AG

NO.	PART NO.	PART NAME & DESCRIPTION	QTY			APP. NO	REM.
			A	B	C		
1~12	A1040139	FUEL TANK ASSY	1	*	1		
1	A1040052	STRAINER, FUEL TANK	1	*	1		
2	A1040085	TANK, FUEL	1	*	1		
3	A1040086	BAND, FUEL TANK	1	*	1		
4	A1040088	SPONGE	1	*	1		
5	A1040089	SPONGE(RH)	1	*	1		
6	A1040090	SPONGE	2	*	2		
7	A1040093	SPONGE(LH)	1	*	1		
8	A1040133	SPONGE	2	*	2		
9	A1040111	CAP ASSY, FUEL	1	*	1		
10	A1750176	GAUGE, FUEL	1	*	1		
11	S153051613	BOLT, HEX. W/WASHER	5	*	5		M5x0.8x16L
12	A1877079	NUT, LOCK	2	*	2		M8x1.25
13	S365082013	WASHER, PLN	2	*	2		D20/8.4x1.6T
14	A1970380	CLAMP, HOSE	6	*	6		
15	A1040074	HOSE, FUEL	1	*	1		
16	A1040075	HOSE, FUEL	1	*	1		
17	A1040127	COCK, FUEL TANK	1	*	1		
18	A1040205	HOSE, FUEL FILTER	1	*	1		

ENGINE CONTROL

FIG. 2-2

G. 100



ENGINE CONTROL

A-LT280D, B-LT300D, C-LT360D

A-LT280D, B-LT300D, C-LT360D

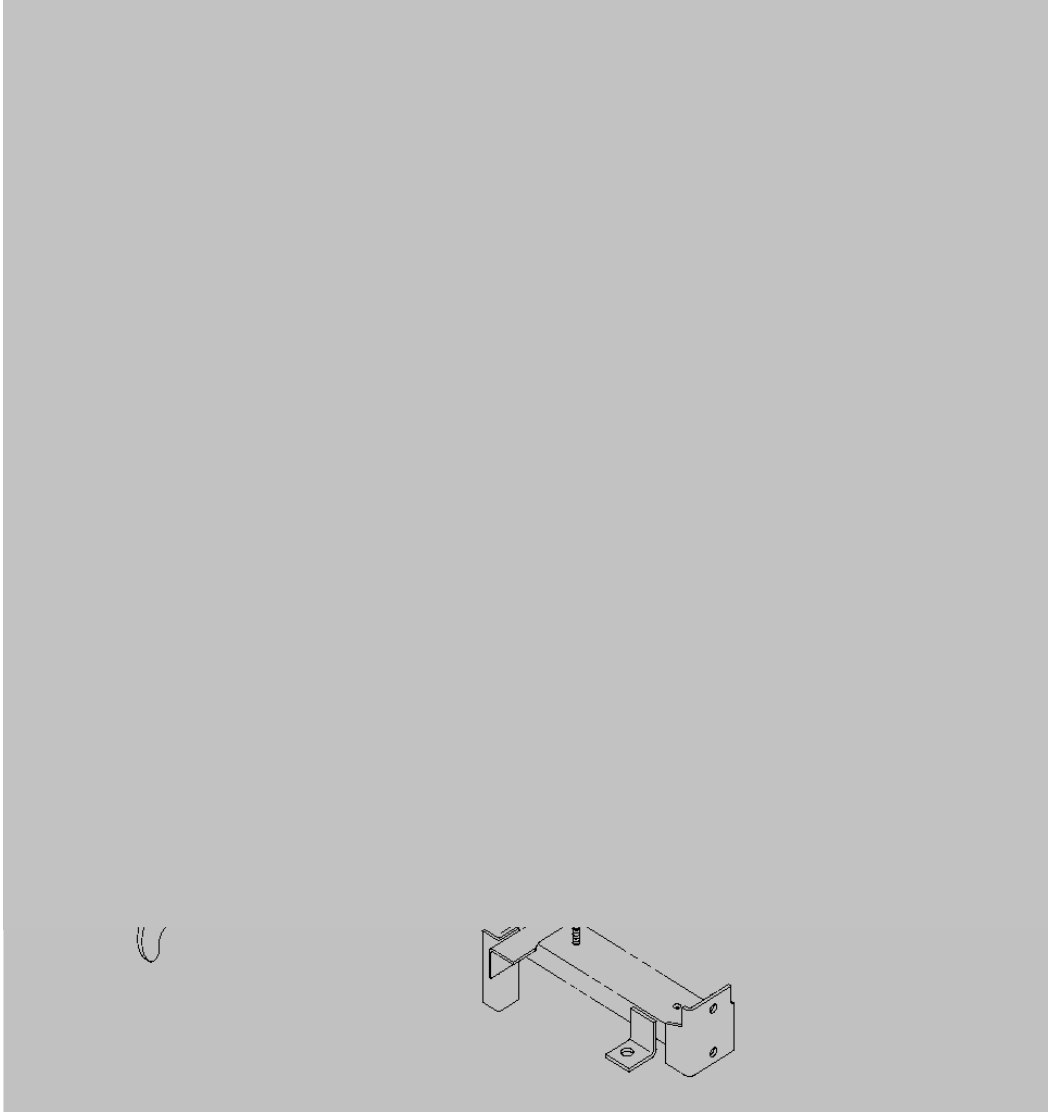
FIG. 2-2

NO.	PART NO.	PART NAME & DESCRIPTION		QTY			APP. NO	REM.
				A	B	C		
1	A1100057	PEDAL, ACCELELATOR		1	1	1		
2	S364120013	WASHER, PLAIN	Φ24xΦ13x2.5t	1	1	1		
3	S443120013	PIN, HAIR	Φ1.8	1	1	1		
4	A1100045	WIRE, ACCE. PEDAL		1	1	1		
5	A1970286	WASHER, PLASTIC	Φ17xΦ6x3.0t	2	2	2		
6	S441251613	PIN, SPLIT	Φ2.3	1	1	1		
7	A1100059	ROD, ENGINE CONTROL		1	1	1		
8	S443060013	PIN, SNAP	Φ1.2	1	1	1		
9	3A1100008	SPRING		1	1	1		
10	A1100107	BRACKET, SPRING		1	1	1		
11	A1100087	SPRING, RETURN		1	1	1		

ENGINE CONTROL

FIG. 2-2

G. 100



ENGINE CONTROL

A-LT280D, B-LT300D, C-LT360D

A-LT280D, B-LT300D, C-LT360D

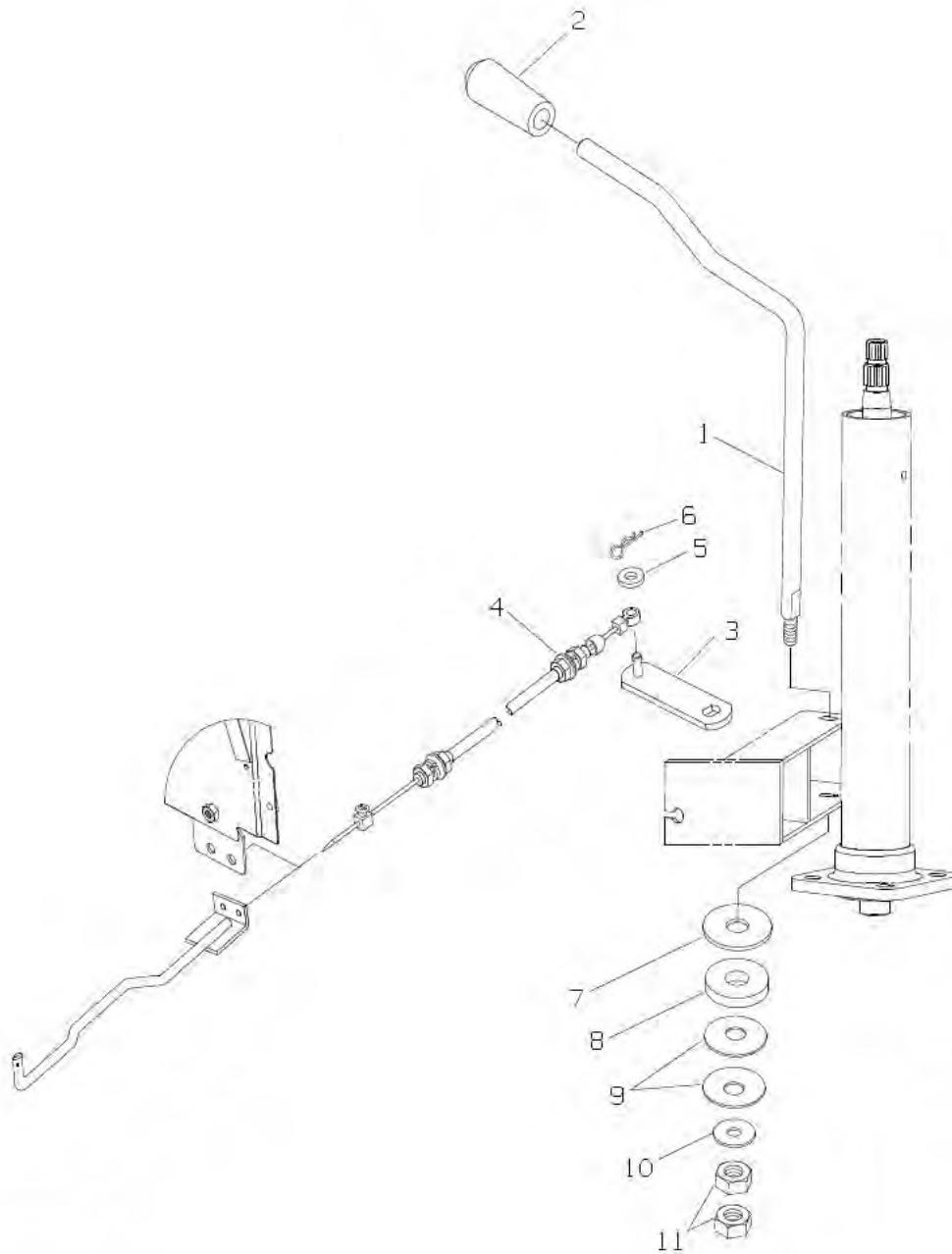
FIG. 2-2

NO.	PART NO.	PART NAME & DESCRIPTION		QTY			APP. NO	REM.
				A	B	C		
1	A1100057	PEDAL, ACCELELATOR		1	1	1		
2	S364120013	WASHER, PLAIN	Φ24xΦ13x2.5t	1	1	1		
3	S443120013	PIN, HAIR	Φ1.8	1	1	1		
4	A1100045	WIRE, ACCE. PEDAL		1	1	1		
5	A1970286	WASHER, PLASTIC	Φ17xΦ6x3.0t	2	2	2		
6	S441251613	PIN, SPLIT	Φ2.3	1	1	1		
7	A1100059	ROD, ENGINE CONTROL		1	1	1		
8	S443060013	PIN, SNAP	Φ1.2	1	1	1		
9	3A1100008	SPRING		1	1	1		

ENGINE CONTROL

FIG. 2-3

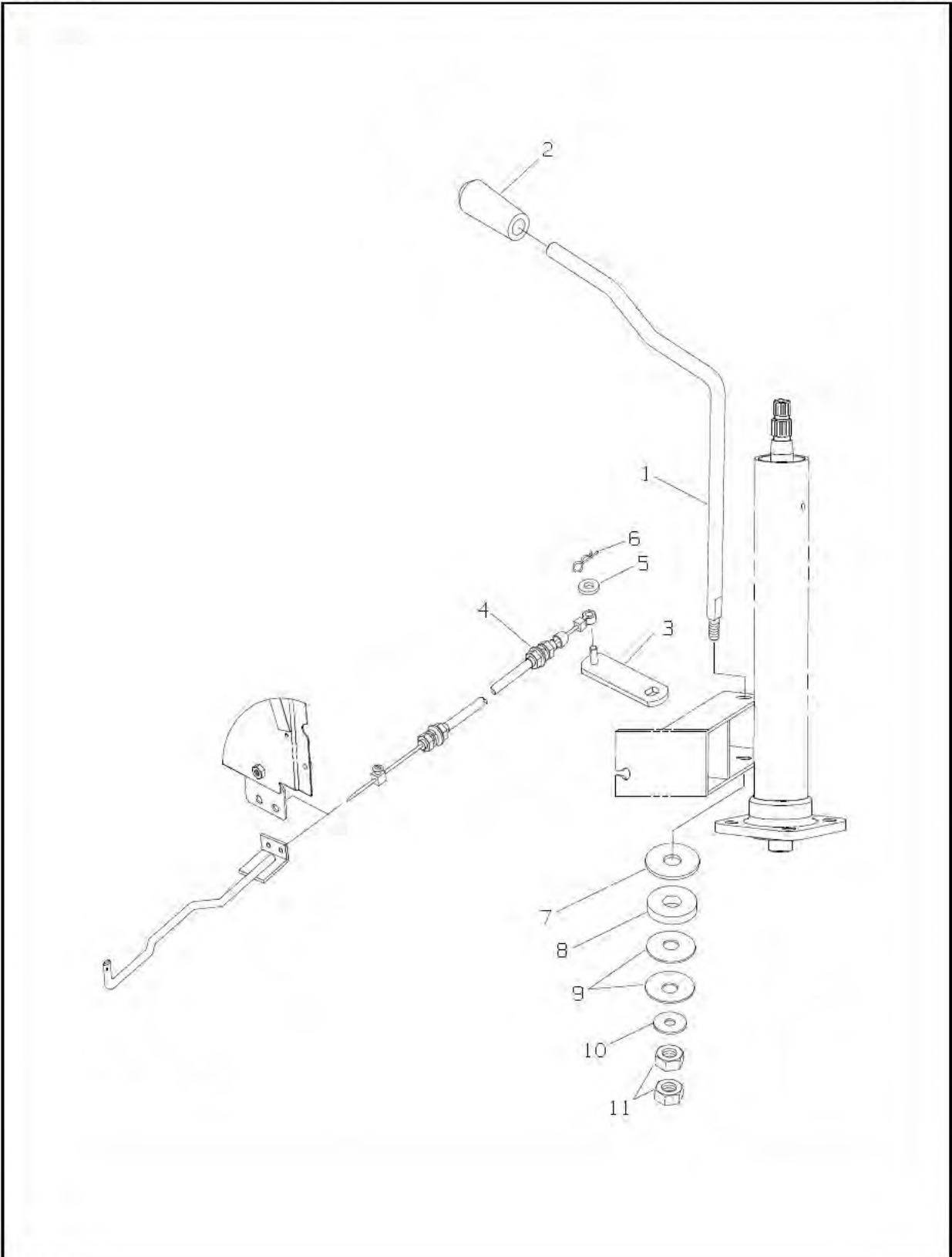
G. 100



ENGINE CONTROL

FIG. 2-3

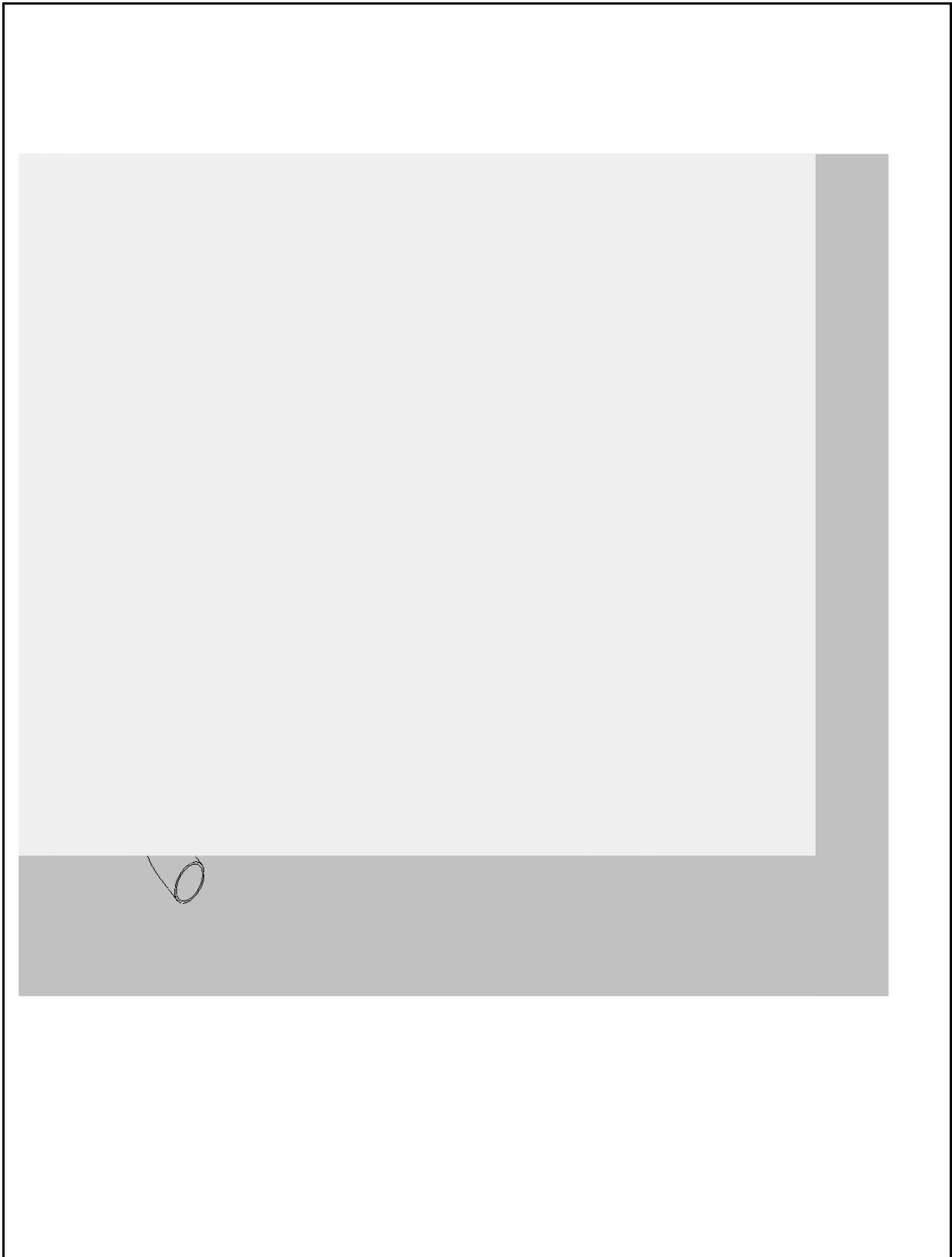
G. 100



MUFFLER

FIG. 2-4

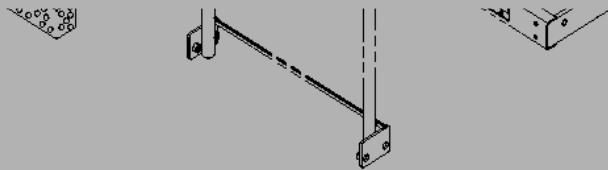
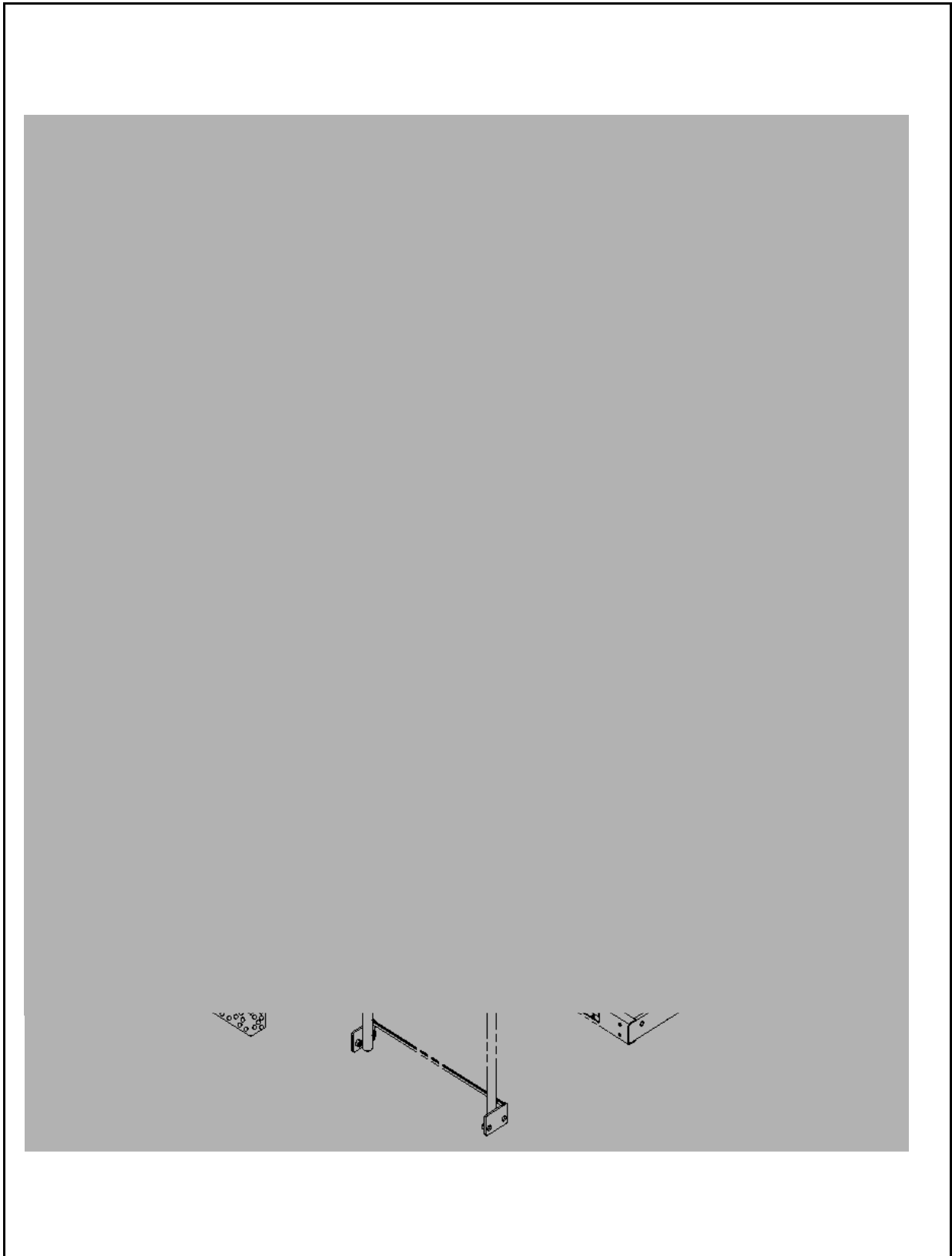
G. 150



RADIATOR

FIG. 2-5

G. 170



RADIATOR

A-LT280D, B-LT300D, C-LT360D

A-LT280D, B-LT300D, C-LT360D

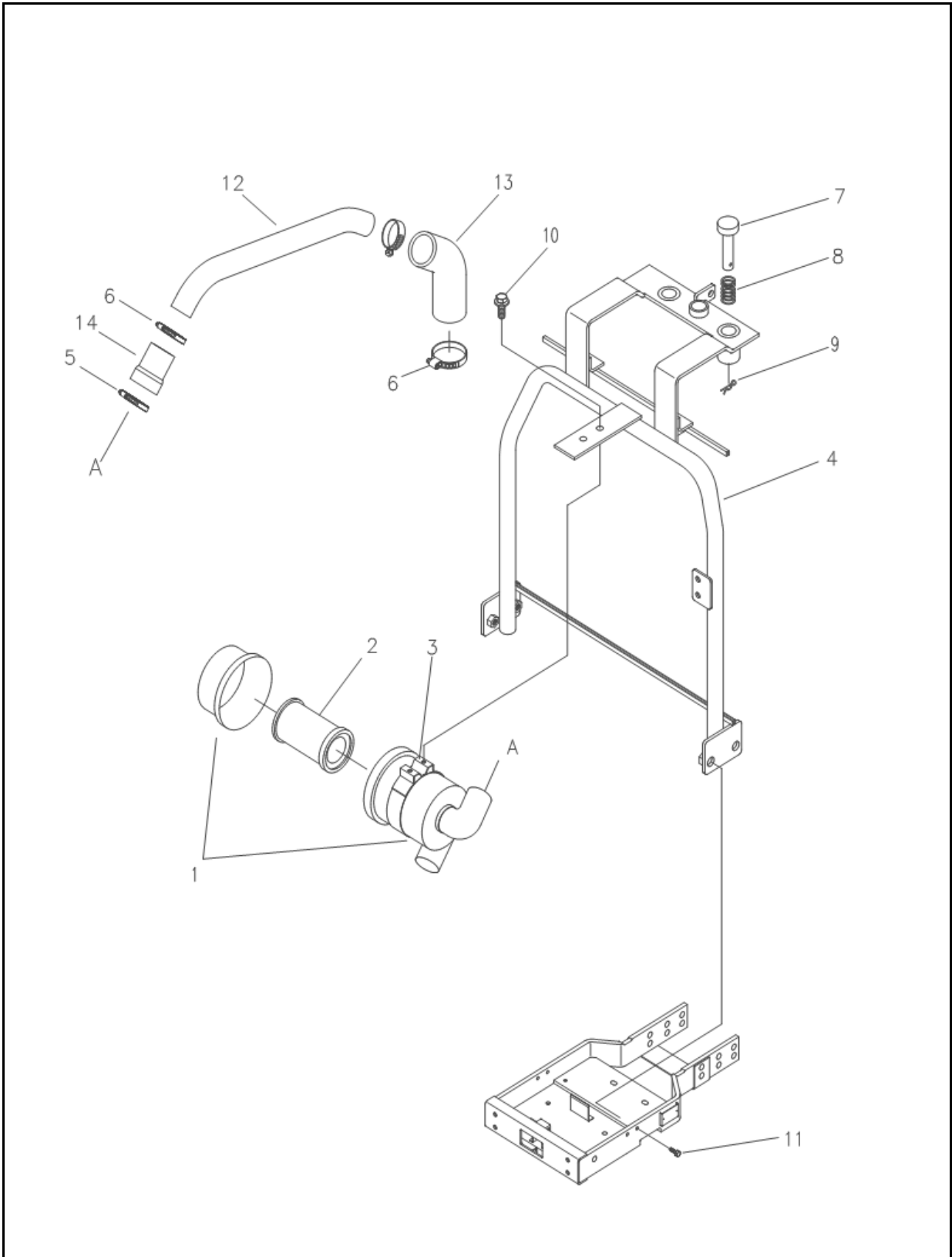
FIG. 2-5

NO.	PART NO.	PART NAME & DESCRIPTION	QTY			APP. NO	REM.
			A	B	C		
1	A1170076	RADIATOR	1	1	1		
2	A1970360	RUBBER, DAMPING MOUNT	2	2	2		
3	S361100013	WASHER, SPRING	2	2	2		
4	S314100013	NUT, HEX	2	2	2		
5	A1170126	SHROUD, FAN	1	1	1		
6	S159082533	BOLT, HEX. W/WASHER	9	9	9		
7	A1970258	RUBBER, CUSHION	1	1	1		
8	A1170129	NET, SCREEN RADIATOR	1	1	1		
9	A1170128	PLATE	1	1	1		
10	A1970201G	CLAMP, HOSE	1	1	1		
11	A1170102	SEAL, RADIATOR AIR	1	1	1		
12	A1170095	STRIP, WEATHER	2	2	2		
13	A1170031	TANK, RESERVOR	1	1	1		
14	A1170082	HOSE, OUTLET	1	1	1		
15	A1970201F	CLAMP, HOSE	3	3	3		
16	A1170083	HOSE, INLET	1	1	1		
17	A1170099	PLATE	1	1	1		
18	S155082033	BOLT, HEX. W/WASHER	2	2	2		

AIR CLEANER

FIG. 2-6A

G. 190



AIR CLEANER

A-LT280D, B-LT300D, C-LT360D

A-LT280D, B-LT300D, C-LT360D

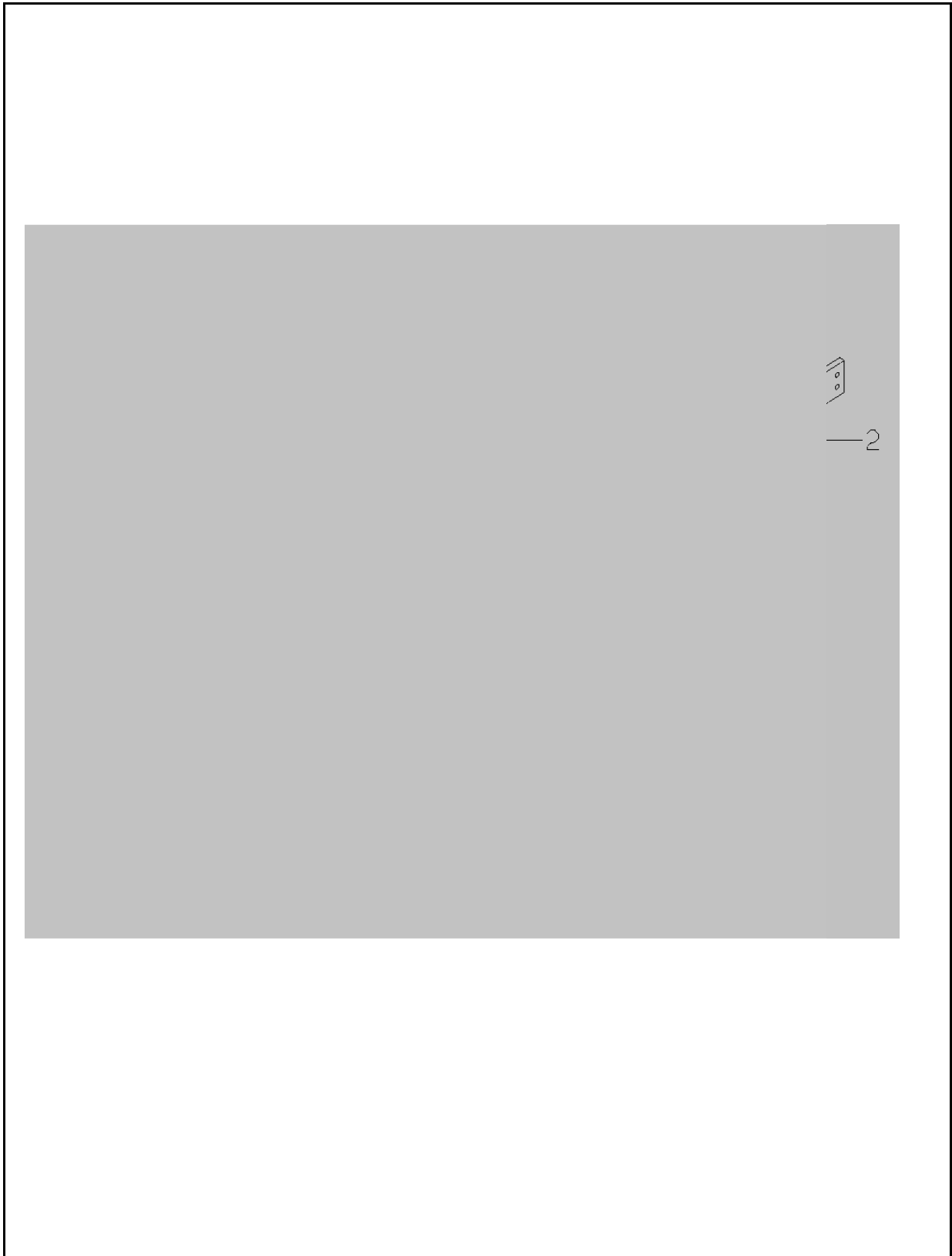
FIG. 2-6A

NO.	PART NO.	PART NAME & DESCRIPTION	QTY			APP. NO	REM.
			A	B	C		
1-3	A1190110	AIR CLEANER ASSY	1	*	1		
1	A1190117	BODY, ASSY	1	*	1		
2	A1190111	FILTER, PRIMARY	1	*	1		
3	A1190113	BAND, AIRCLEANER	1	*	1		
4	A1190115	SUPPORT, AIRCLEANER	1	*	1		
5	A1970201J	CLAMP, HOSE	1	*	1		
6	A1970201H	CLAMP, HOSE	3	*	3		
7	A1830261	PIN, CLEVIS	2	*	2		
8	A0690127	SPRING	2	*	2		
9	S443120013	PIN, SNAP	2	*	2		
10	S155082033	BOLT, HEX. W/WASHER	2	*	2		
11	S154103533	BOLT, HEX.	4	*	4		
12	A1190189	PIPE, AIR INTAKE	1	*	1		
13	A1190192	HOSE, AIR INTAKE (B)	1	*	1		
14	A1190193	HOSE, AIR INTAKE (A)	1	*	1		

ENGINE FRAME

FIG. 2-7A

G. 210, 215



ENGINE FRAME

A-LT280D, B-LT300D, C-LT360D

A-LT280D, B-LT300D, C-LT360D

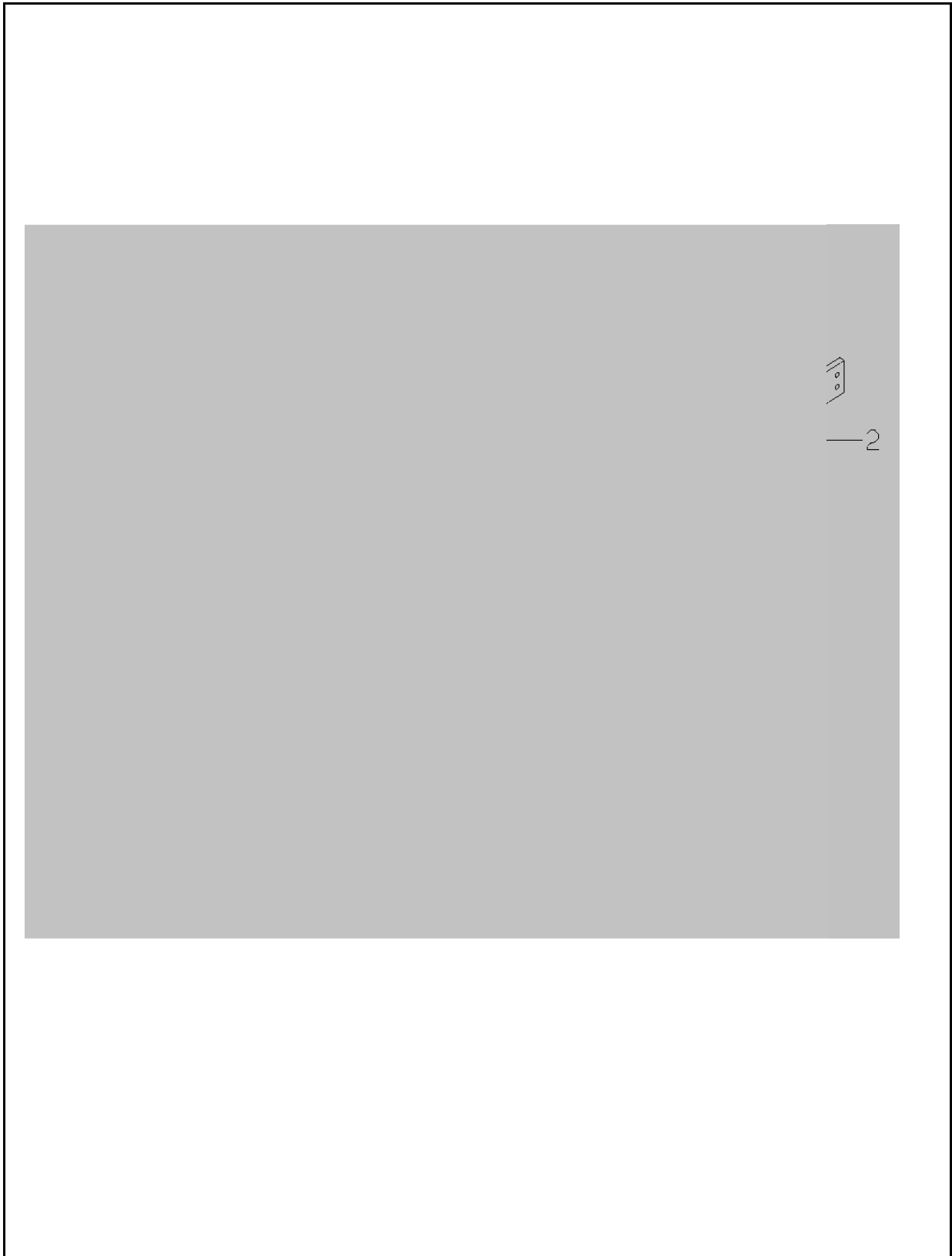
FIG. 2-7A DO, MY, PT, EX

NO.	PART NO.	PART NAME & DESCRIPTION	QTY			APP. NO	REM.
			A	B	C		
1	A1210121	FRAME, ENGINE	1	1	1		
2	S154123533	BOLT, HEX.	12	12	12		
3	S361120013	WASHER, SPRING	2	2	2		
4	S314120013	NUT, HEX	2	2	2		
5	A1215029	BUMPER	1	1	1		
6	S361140013	WASHER, SPRING	4	4	4		
7	S103149043	BOLT, HEX.	4	4	4		
8	A1830229	HOOK, GRILL	1	1	1		
9	A0710037	GRIP	1	1	1		
10	A1830248	SPRING	1	1	1		
11	S810012001	RING, SNAP	1	1	1		
12	A1215030	WEIGHT, FRONT	4	4	4		OPT
13	A1215028	BOLT, HEX.	1	1	1		OPT
14	3A0010847	WASHER, STOP	2	2	2		OPT
15	S361160013	WASHER, SPRING	1	1	1		OPT
16	S314160013	NUT, HEX	1	1	1		OPT
17	A1215031	PIN, FRONT HOOK	1	1	1		OPT
18	A1970350	PIN, SNAP	1	1	1		OPT

ENGINE FRAME

FIG. 2-7

G. 210, 215



ENGINE FRAME

A-LT280D, B-LT300D, C-LT360D

A-LT280D, B-LT300D, C-LT360D

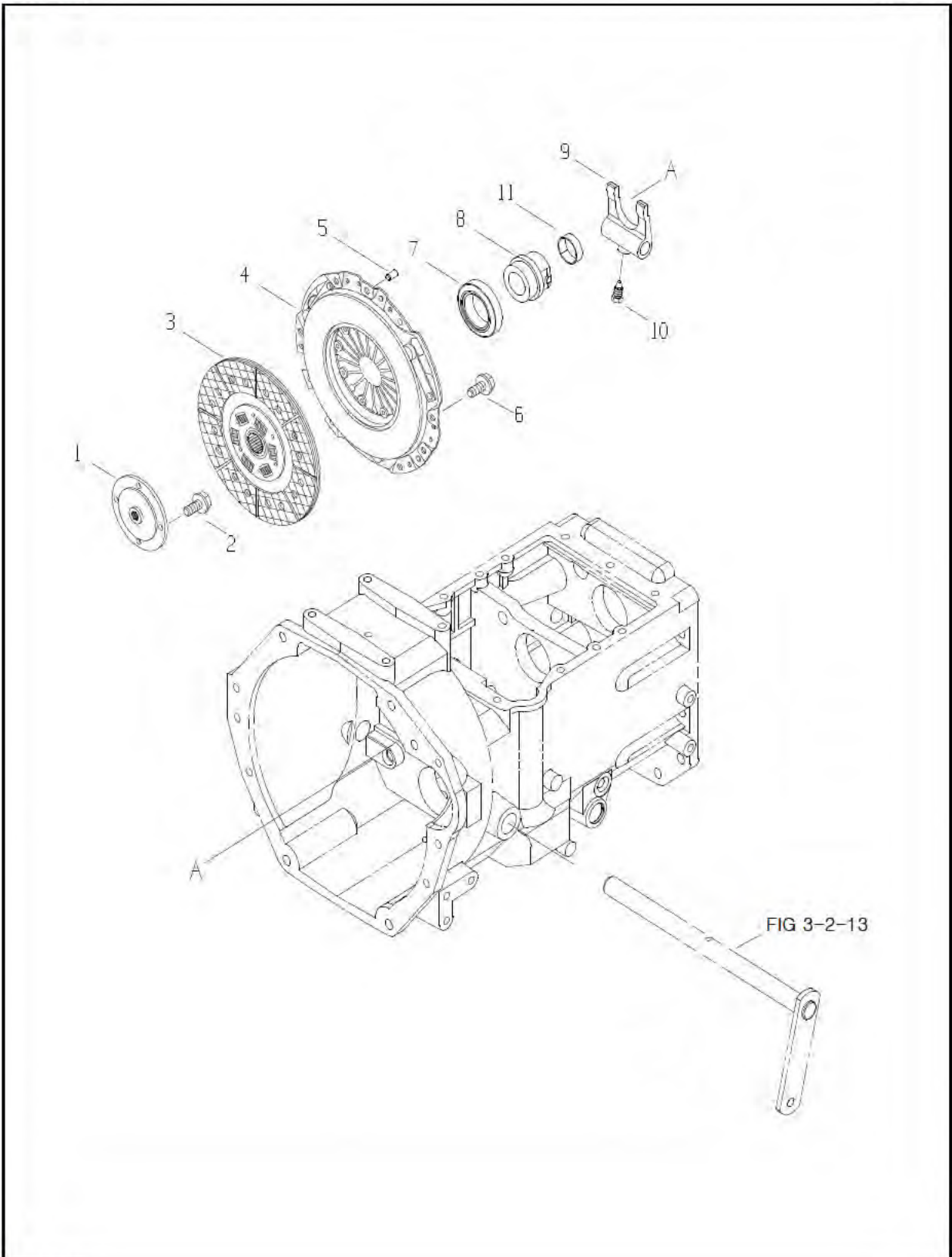
FIG. 2-7

NO.	PART NO.	PART NAME & DESCRIPTION		QTY			APP. NO	REM.
				A	B	C		
1	A1210098	FRAME, ENGINE		1	1	1		
2	S154123533	BOLT, HEX.		12	12	12		
3	S361120013	WASHER, SPRING	φ21.5xφ12.5x3.0t	2	2	2		
4	S314120013	NUT, HEX	M12x1.25P	2	2	2		
5	A1215029	BUMPER		1	1	1		
6	S361140013	WASHER, SPRING	φ24.5xφ14.2x3.5t	4	4	4		
7	S103149043	BOLT, HEX.	M14x1.5Px90L	4	4	4		
8	A1830229	HOOK, GRILL		1	1	1		
9	A0710037	GRIP		1	1	1		
10	A1830248	SPRING		1	1	1		
11	S810012001	RING, SNAP		1	1	1		
12	A1215030	WEIGHT, FRONT	20kg/㉑	4	4	4		
13	A1215028	BOLT, HEX.	M16x1.5	1	1	1		
14	3A0010847	WASHER, STOP	φ38xφ17x5t	2	2	2		
15	S361160013	WASHER, SPRING	φ28xφ16.2x4t	1	1	1		
16	S314160013	NUT, HEX	M16x1.5	1	1	1		
17	A1215031	PIN, FRONT HOOK		1	1	1		
18	A1970350	PIN, SNAP		1	1	1		

CLUTCH

FIG. 3-1

G. 250



CLUTCH

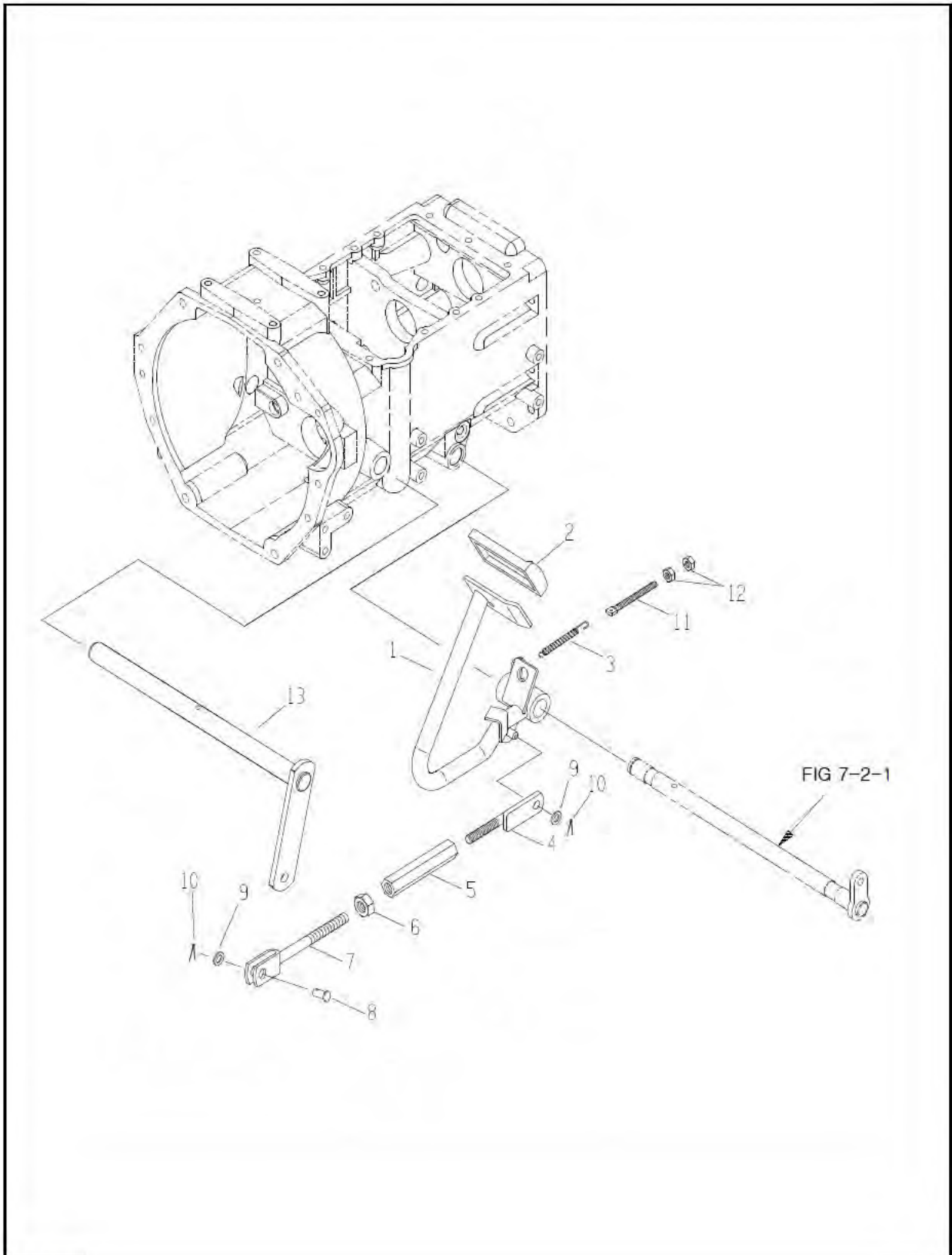
A-LT280D, B-LT300D, C-LT360D

A-LT280D, B-LT300D, C-LT360D

FIG. 3-1

NO.	PART NO.	PART NAME & DESCRIPTION		QTY			APP. NO	REM.
				A	B	C		
1	A1281428	SLEEVE, FLY WHEEL		1	*	1		
2	S154102533	BOLT, HEX	M10x1.25x25L	4	*	4		
3-4	A1250111	CLUTCH ASSY		1	1	1		
3	A1250107	CLUTCH DISK ASSY		1	1	1		
4	A1250094	CLUTCH COVER ASSY		1	1	1		
5	S423081610	PIN, DOWEL	D8x16L	3	3	3		
6	S153082533	BOLT, HEX	M8x1.25x25L	6	6	6		
7	A1250062	BEARING, RELEASE	TK45-4BU3(OD73.6xID45x18)	1	1	1		
8	A1250112	HUB, RELEASE BEARING		1	1	1		
9	A1250045	LEVER, CLUTCH SHIFT		1	1	1		
10	A1250047	BOLT, LOCKING	M12x1.25	1	1	1		
11	A1250113	BUSHING	OD42xID38x30L	1	1	1		

CLUTCH PEDAL



CLUTCH PEDAL

A-LT280D, B-LT300D, C-LT360D

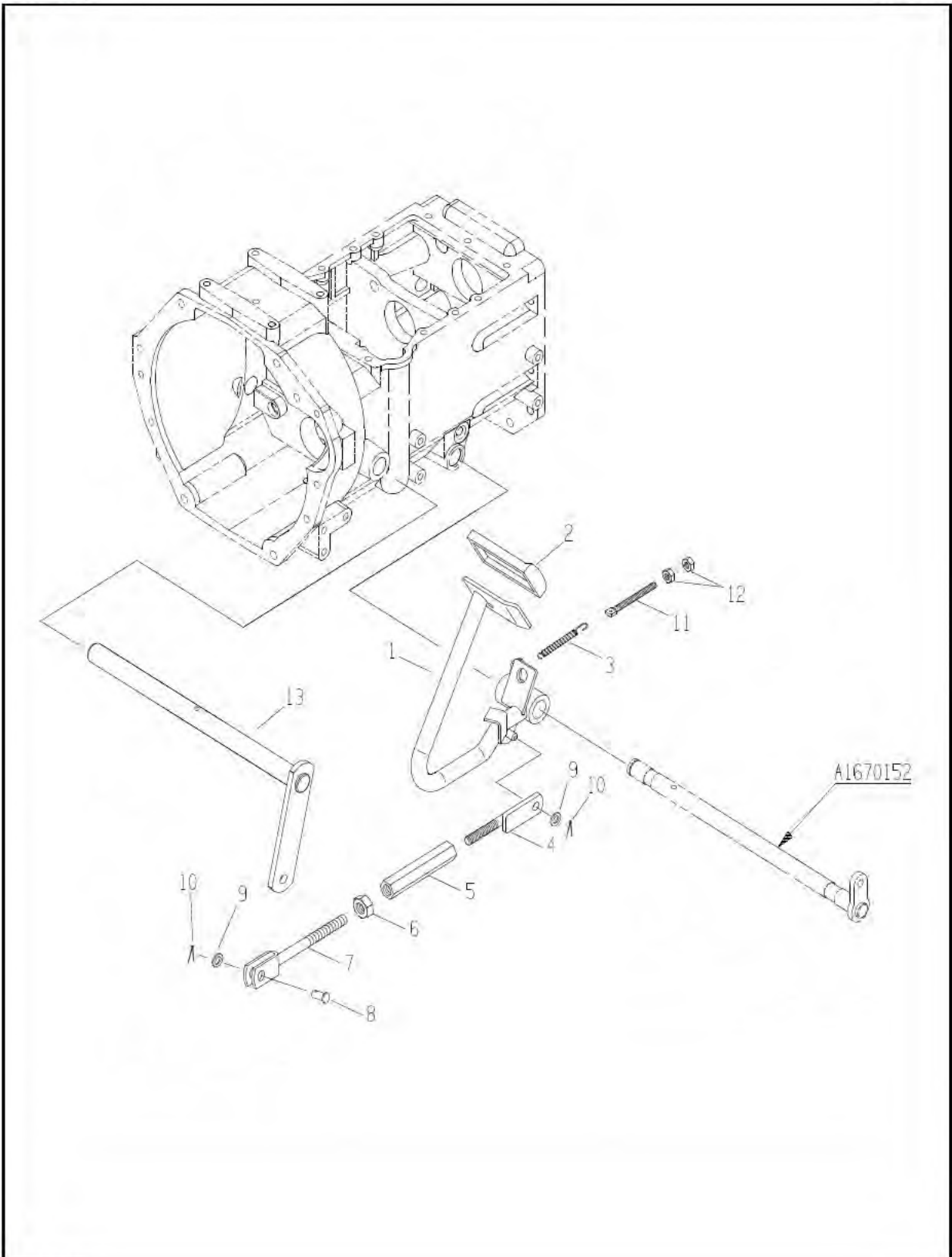
A-LT280D, B-LT300D, C-LT360D

NO.	PART NO.	PART NAME & DESCRIPTION	QTY			APP. NO	REM.
			A	B	C		
1	A1260066	PEDAL, CLUTCH	1	1	1		
2	A1670084	PAD, CLUTCH PEDAL	1	1	1		
3	A1260118	SPRING, RETURN	1	1	1		
4-7	A1260054	CLUTCH LINK ASSY	1	1	1		
4	A1260052	LINK(B)	1	1	1		
5	A1260027	JOINT	1	1	1		
6	S306100013	NUT, HEX	M10x1.25	1	1	1	
7	A1260055	LINK(A)		1	1	1	
8	S427102013	PIN, CLEVIS	D10x20L	1	1	1	
9	S364100013	WASHER, PLAIN	OD21xID10.5x2.0t	2	2	2	
10	S441252013	PIN, COTTER	D2.5x20L	2	2	2	
11	A1260073	BOLT, ADJUSTER	M8x1.25	1	1	1	
12	S301080043	NUT, HEX.	M8x1.25	2	2	2	
13	A1260105	SHAFT, CLUTCH LEVER		1	1	1	

CLUTCH PEDAL

FIG. 3-3

G. 260



CLUTCH PEDAL

A-LT280D, B-LT300D, C-LT360D

A-LT280D, B-LT300D, C-LT360D

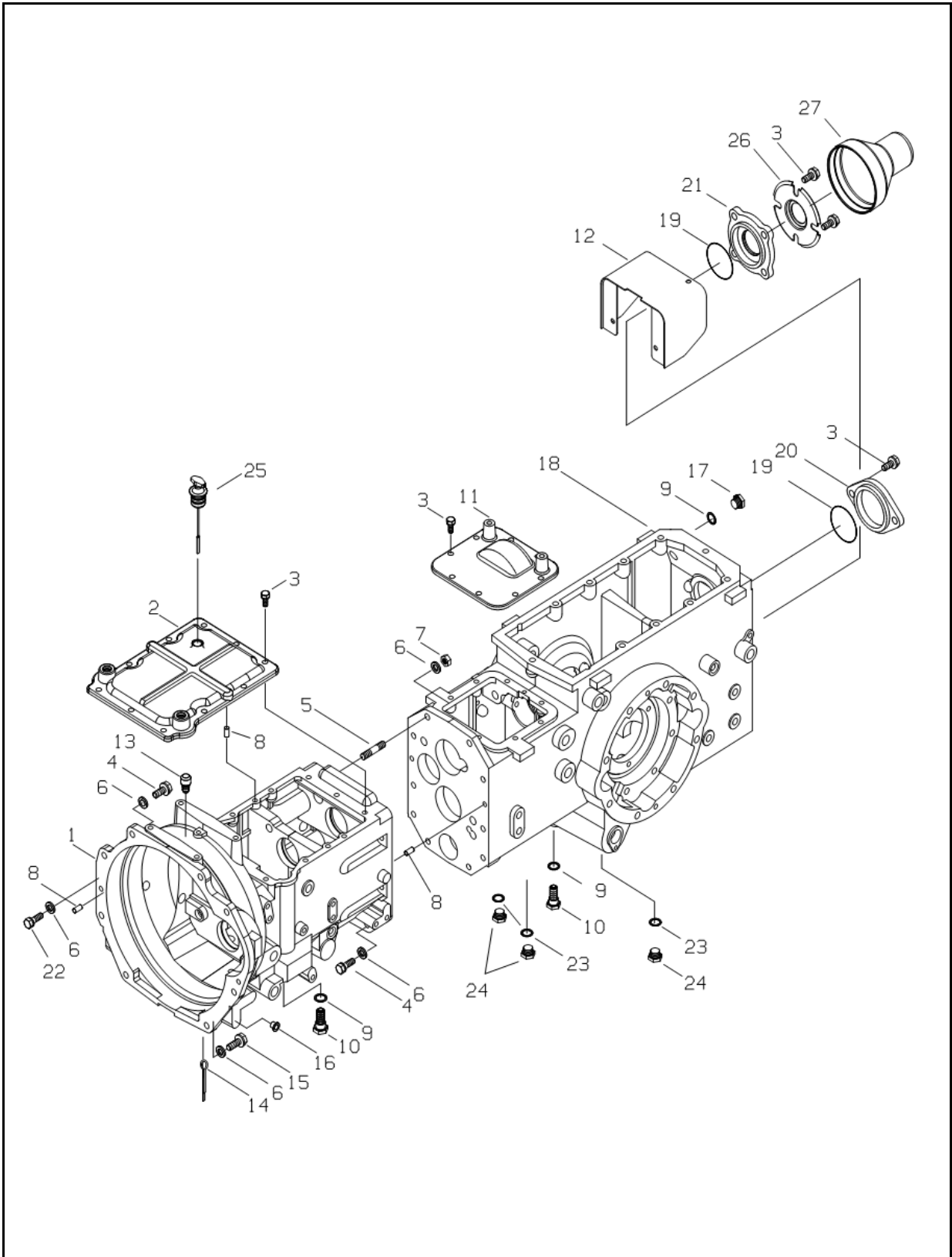
FIG. 3-3

NO.	PART NO.	PART NAME & DESCRIPTION	QTY			APP. NO	REM.
			A	B	C		
1	A1260066	PEDAL, CLUTCH	1	1	1		
2	A1670084	PAD, CLUTCH PEDAL	1	1	1		
3	A1670288	SPRING, RETURN	1	1	1		
4-7	A1260054	CLUTCH LINK ASSY	1	1	1		
4	A1260052	LINK(B)	1	1	1		
5	A1260027	JOINT	1	1	1		
6	S306100013	NUT, HEX	M10x1.25	1	1	1	
7	A1260055	LINK(A)		1	1	1	
8	S427102013	PIN, CLEVIS	D10x20L	1	1	1	
9	S363100013	WASHER, PLAIN	OD18xID10.5x2.0t	2	2	2	
10	S441302013	PIN, COTTER	D3.0x20L	2	2	2	
11	A1260073	ADJUSTER	M8x1.25	1	1	1	
12	S301080043	NUT, HEX.	M8x1.25	2	2	2	
13	A1260056	SHAFT, CLUTCH LEVER		1	1	1	

TRANSMISSION CASE

FIG. 3-4B

G. 250, 280



TRANSMISSION CASE

TRANSMISSION CASE

A-LT280D, B-LT300D, C-LT360D

A-LT280D, B-LT300D, C-LT360D

FIG. 3-4B EX, AG, VA (INDP, PTO1)

NO.	PART NO.	PART NAME & DESCRIPTION	QTY			APP. NO	REM.
			A	B	C		
1	A1250109	HOUSING, CLUTCH	1	*	1		
2	A1292144	COVER, CLUTCH HOUSING	1	*	1		
3	S154102533	BOLT, HEX	24	*	24		
4	S105123543	BOLT, HEX	14	*	14		
5	S139123523	BOLT, STUD	2	*	2		
6	S361120013	WASHER, SPRING	19	*	19		
7	S305120013	NUT, HEX	2	*	2		
8	S423102010	PIN, DOWEL	6	*	6		
9	A10263360	SEAL	3	*	3		
10	3A1250013	PLUG, MAGNET	2	*	2		
11	A1280088	COVER, AXLE CASE	1	*	1		
12	A1280165	SHIELD, PTO	1	*	1		
13	A1250049	AIR VENT	1	*	1		
14	A1250123	PIN, SPLIT	1	*	1		
15	S105124543	BOLT, HEX SMALL	2	*	2		
16	3A1970068	PLUG	6	*	6		
17	A0610281	PLUG, DRAIN	1	*	1		
18	A1280128	CASE, AXLE	1	*	1		
19	S804070010	O-RING	2	*	2		
20	A1280090	COVER, PTO DRV SHAFT	1	*	1		
21	A1280115	COVER, PTO SHAFT	1	*	1		
22	S105125543	BOLT, HEX SMALL	1	*	1		
23	Q0650006	GASKET	3	*	3		
24	A1280116	PLUG, DRAIN	3	*	3		
25	A1280110	GUAGE, OIL LEVEL	1	*	1		
26	A1280184	GUIDE	1	*	1		
27	A05171520	COVER, SAFETY	1	*	1		

FIG. 3-4

G. 250, 280

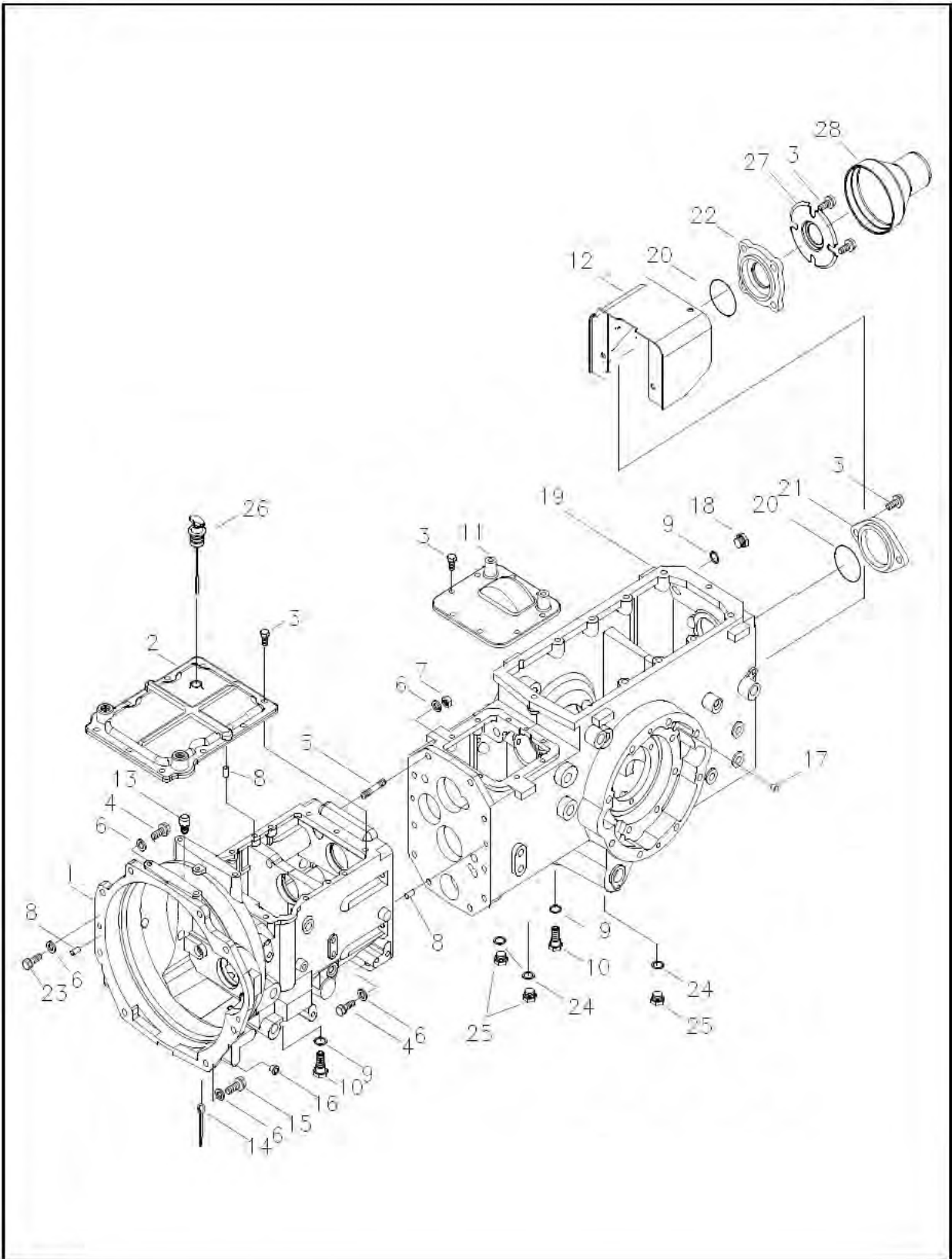


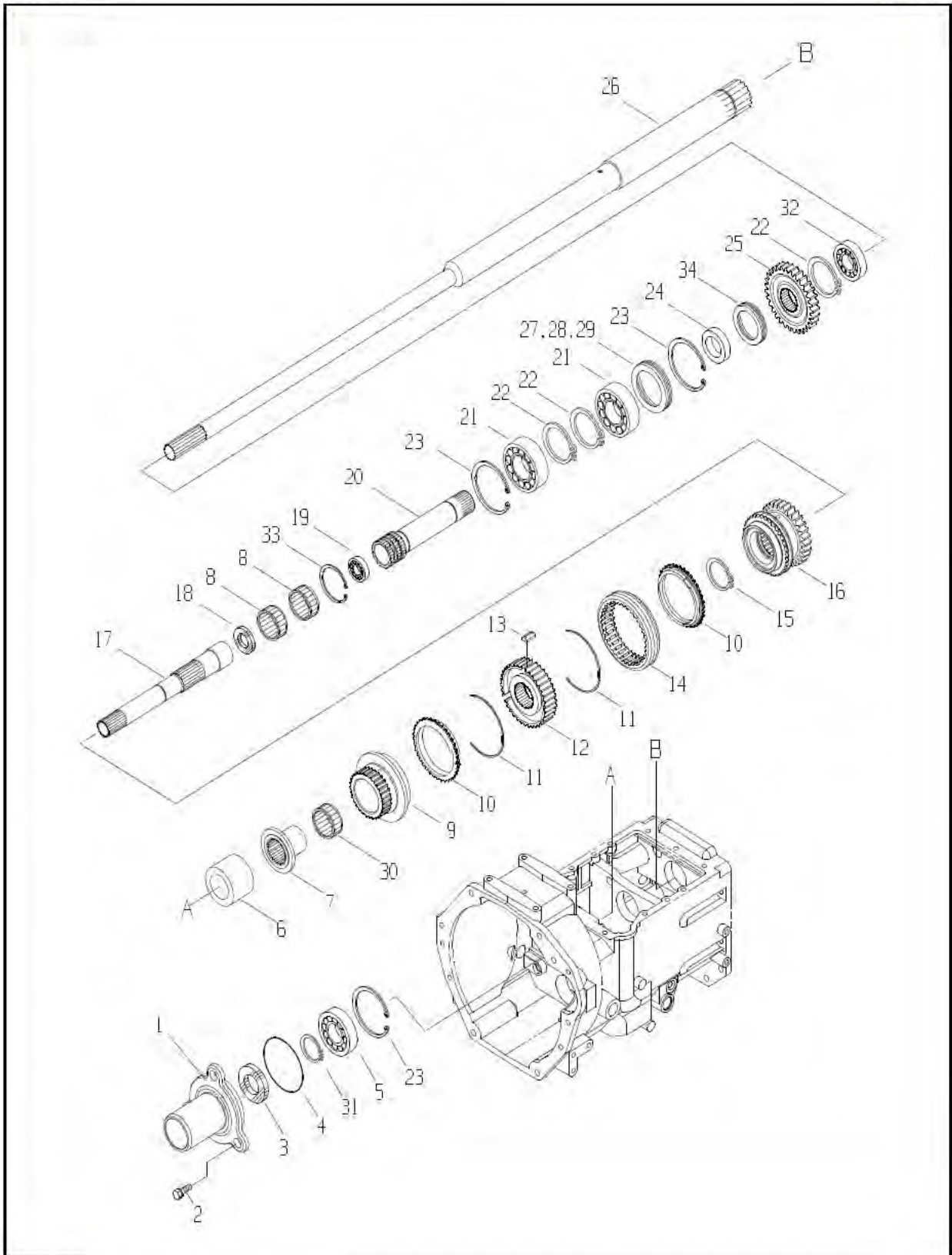
FIG. 3-4

NO.	PART NO.	PART NAME & DESCRIPTION		QTY			APP. NO	REM.
				A	B	C		
1	A1250109	HOUSING, CLUTCH		1	1	1		
2	A1292144	COVER, CLUTCH HOUSING		1	1	1		
3	S154102533	BOLT, HEX	M10x1.25x25L	24	24	24		
4	S105123543	BOLT, HEX	M12x1.75x35L	14	14	14		
5	S139123523	BOLT, STUD	M12x1.75x35L	2	2	2		
6	S361120013	WASHER, SPRING	OD21.5xID12.2x3t	19	19	19		
7	S305120013	NUT, HEX	M12x1.75	2	2	2		
8	S423102010	PIN, DOWEL	D10x20	6	6	6		
9	A10263360	SEAL	OD20xID26x1.5t	3	3	3		
10	3A1250013	PLUG, MAGNET		2	2	2		
11	A1280088	COVER, AXLE CASE		1	1	1		
12	A1280165	SHIELD, PTO		1	1	1		
13	A1250049	AIR VENT		1	1	1		
14	A1250123	PIN,SPLIT	D12	1	1	1		
15	S105124543	BOLT, HEX SMALL	M12x1.75x45L	2	2	2		
16	3A1970068	PLUG		6	6	6		
17	A1280046	BREATHER, AIR		2	2	2		
18	A0610281	PLUG, DRAIN		1	1	1		
19	A1280171	CASE, AXLE		1	1	1		
20	S804070010	O-RING	D69.5xW2.0	2	2	2		
21	A1280090	COVER, PTO DRV SHAFT		1	1	1		
22	A1280115	COVER, PTO SHAFT		1	1	1		
23	S105125543	BOLT, HEX SMALL	M12x1.25x55L	1	1	1		
24	Q0650006	GASKET	OD26xID18x1.0t	3	3	3		
25	A1280116	PLUG, DRAIN	M18x1.5	3	3	3		
26	A1280110	GUAGE, OIL LEVEL		1	1	1		
27	A1280184	GUIDE		1	1	1		
28	A05171520	COVER, SAFETY		1	1	1		

MAIN SHAFT

FIG. 3-5B

G. 281



MAIN SHAFT

A-LT280D, B-LT300D, C-LT360D

A-LT280D, B-LT300D, C-LT360D

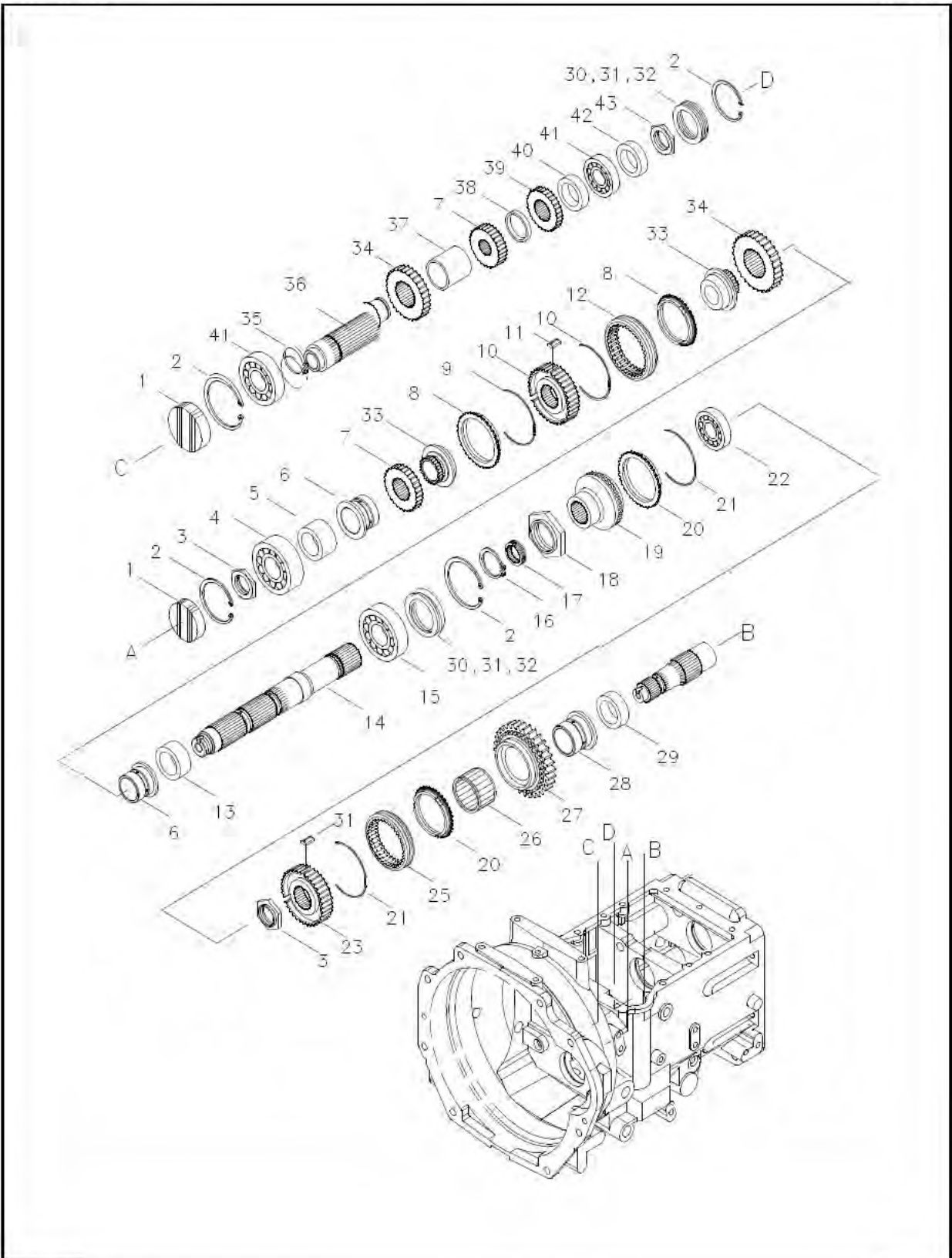
FIG. 3-5B EX, AG, VA (INDP, PTO1)

NO.	PART NO.	PART NAME & DESCRIPTION		QTY			APP. NO	REM.
				A	B	C		
1	A1280101	COVER, MAIN SHAFT		1	*	1		
2	S154102033	BOLT, HEX	M10x1.25x30	3	*	3		
3	A0651302	SEAL, OIL	TC30458(OD45xID30x8)	1	*	1		
4	S804060010	O-RING	S60(D60xW2.0)	1	*	1		
5	A0862060	BEARING, BALL	#6206(OD62xID30x16)	1	*	1		
6	A1281423	SPACER	OD40xID30x22L	1	*	1		
7	A1281424	SLEEVE		1	*	1		
8	A1281165	BEARING, NEEDLE	OD40xID35x13	2	*	2		
9	A1281422	GEAR, MAIN 25T		1	*	1		
10	A1281354	RING, SYNCHRO		2	*	2		
11	3A1281021	SPRING		2	*	2		
12	A1281384	HUB, F-R SHIFT		1	*	1		
13	3A1281020	PIECE		3	*	3		
14	A1281361	SLEEVE		1	*	1		
15	S810032001	RING, SNAP	D32x1.2t	1	*	1		
16	A1281482	GEAR, MAIN 30T		1	*	1		
17	A1281426	SHAFT, MAIN		1	*	1		
18	A0651201	SEAL, OIL	TC20307(OD30xID20x7)	1	*	1		
19	A0868040	BEARING, BALL	#6804(OD32xID20x7)	1	*	1		
20	A1281485	SHAFT, REVERSE DRIVE		1	*	1		
21	A0869080	BEARING, BALL	#6908(OD62xID40x12)	2	*	2		
22	S810040001	RING, SNAP	D40x1.75t	3	*	3		
23	S811062001	RING, SNAP	D62x2t	3	*	3		
24	A1281481	SPACER	OD48xID40x10.5	1	*	1		
25	A1281496	GEAR, F-R DRIVE 39T		1	*	1		
26	A1283193	SHAFT, MAIN PTO		1	*	1		
27	A0870481	SHIM	OD50xID61x0.15t	1	*	1		
28	A0870482	SHIM	OD50xID61x0.2t	1	*	1		
29	A0870485	SHIM	OD50xID61x0.5t	1	*	1		
30	3A1970157	BEARING, NEEDLE	OD45xID40x27	1	*	1		
31	S810030001	RING, SNAP	D30x1.5t	1	*	1		
32	A0868041	BEARING, BALL	#6804(Z)(OD32xID20x7)	1	*	1		
33	S811032001	RING, SNAP	D32x1.2t	1	*	1		
34	A0870461	SHIM	OD51xID41x0.15t	2	*	2		
	A0870462	SHIM	OD51xID41x0.2t	1	*	1		

MAIN GEAR SHAFT

FIG. 3-6A

G. 281



MAIN GEAR SHAFT

A-LT280D, B-LT300D, C-LT360D

A-LT280D, B-LT300D, C-LT360D

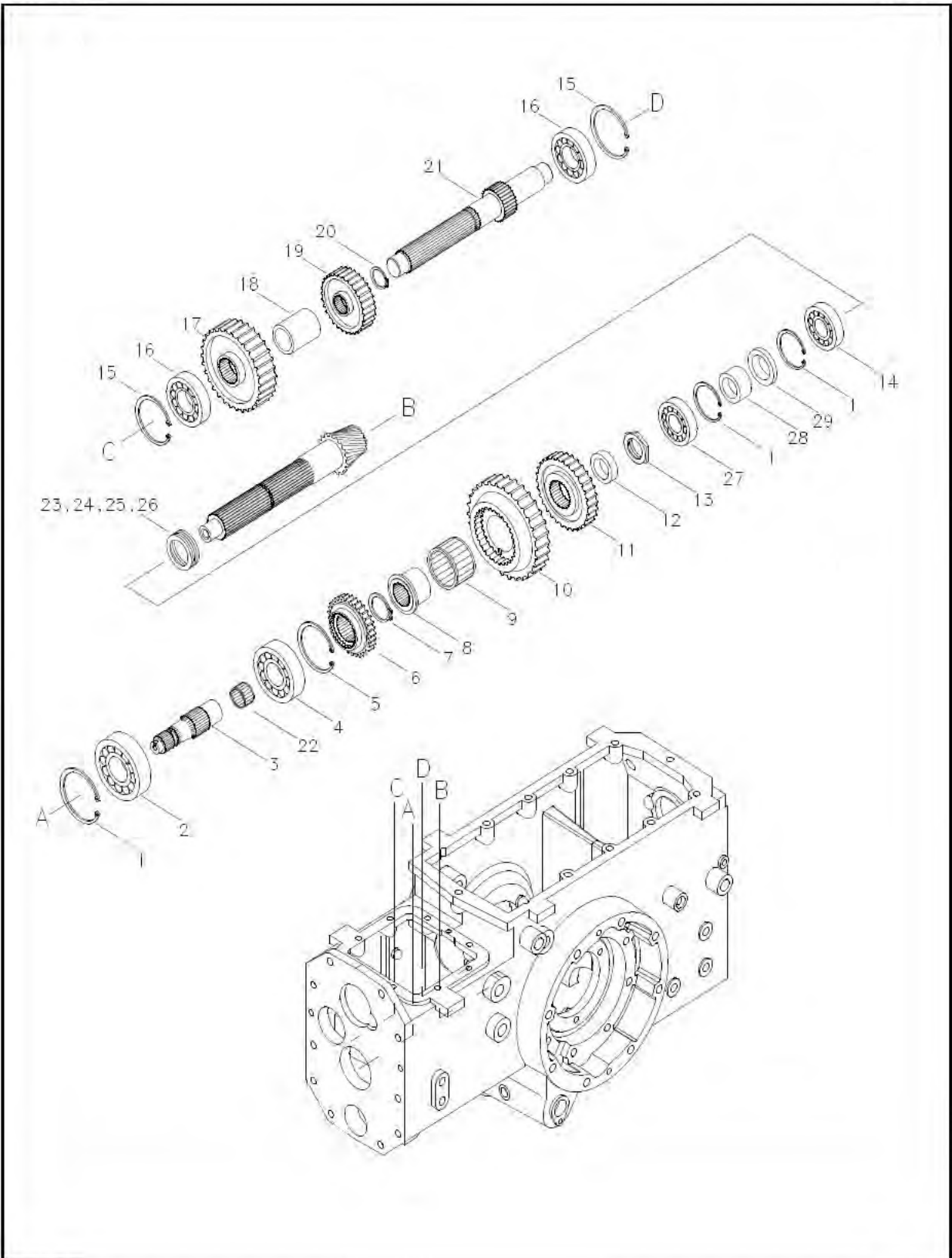
FIG. 3-6A

NO.	PART NO.	PART NAME & DESCRIPTION		QTY			APP. NO	REM.
				A	B	C		
1	A1283016	CAP, RUBBER	D62	2	*	2		
2	S811062001	RING, SNAP	D66.2x2t	4	*	4		
3	A1281034	NUT, LOCK	M25x1.5	2	*	2		
4	A0862060	BEARING, BALL	#6206	1	*	1		
5	A1281324	SPACER	OD45xID33x30	1	*	1		
6	A1281297	SLEEVE		2	*	2		
7	A1281298	GEAR, MAIN 25T		2	*	2		
8	A1281354	RING, SYNCHRONIZER		2	*	2		
9	3A1281021	SPRING		2	*	2		
10	A1281384	HUB		1	*	1		
11	3A1281020	PIECE		3	*	3		
12	A1281361	SLEEVE, SHIFT		2	*	2		
13	A1281323	SPACER	OD33xID45x30	1	*	1		
14	A1281273	SHAFT, MAIN 3RD		1	*	1		
15	A0860070	BEARING, BALL	#6007(OD62xID35x14)	1	*	1		
16	S810032001	RING, SNAP	D29.6x1.2t	1	*	1		
17	A1281161	SLEEVE		1	*	1		
18	A0610282	NUT, LOCK	M42x1.5	1	*	1		
19	A1281446	HUB, SYNCHRO. CLUTCH	D85x65	1	*	1		
20	A5000053	RING		2	*	2		
21	A1281398	SPRING		2	*	2		
22	A0860040	BEARING, BALL	#6004(OD42xID20x12)	1	*	1		
23	A1281449	HUB		1	*	1		
24	A1281399	STRUT		3	*	3		
25	A1281396	SLEEVE, SHIFT		1	*	1		
26	3A1970157	BEARING, NEEDLE	OD45xID40x27	1	*	1		
27	A1281447	GEAR, F-R DRIVEN 43T		1	*	1		
28	A1281046	SLEEVE, GEAR		1	*	1		
29	A1281319	SPACER	OD45xID35x9.5	1	*	1		
30	A0870481	SHIM	OD50xID61x0.15t	AR	*	AR		
31	A0870482	SHIM	OD50xID61x0.2t	AR	*	AR		
32	A0870485	SHIM	OD50xID61x0.5t	AR	*	AR		
33	A1281310	SLEEVE, W/SYNCHRO MESH		2	*	2		
34	A1281299	GEAR, MAIN 35T		2	*	2		
35	S810050001	RING, SNAP	D50x2t	1	*	1		
36	A1281272	SHAFT, MAIN 2RD		1	*	1		
37	A1281320	SPACER	OD57x1Dx50x44.5L	1	*	1		
38	A1281321	SPACER	OD57x1D 50x7L	1	*	1		
39	A1281300	GEAR, MAIN 30T		1	*	1		
40	A1281322	SPACER	OD52x1D 40x11.8L	1	*	1		
41	A0869080	BEARING, BALL #6908		2	*	2		
42	A1281346	SPACER	OD48x1D 40x11.8L	1	*	1		
43	A1287079	NUT, LOCK	M35x1.5	1	*	1		

RANGE SHIFT SHAFT

FIG. 3-7B

G. 285



RANGE SHIFT SHAFT

A-LT280D, B-LT300D, C-LT360D

A-LT280D, B-LT300D, C-LT360D

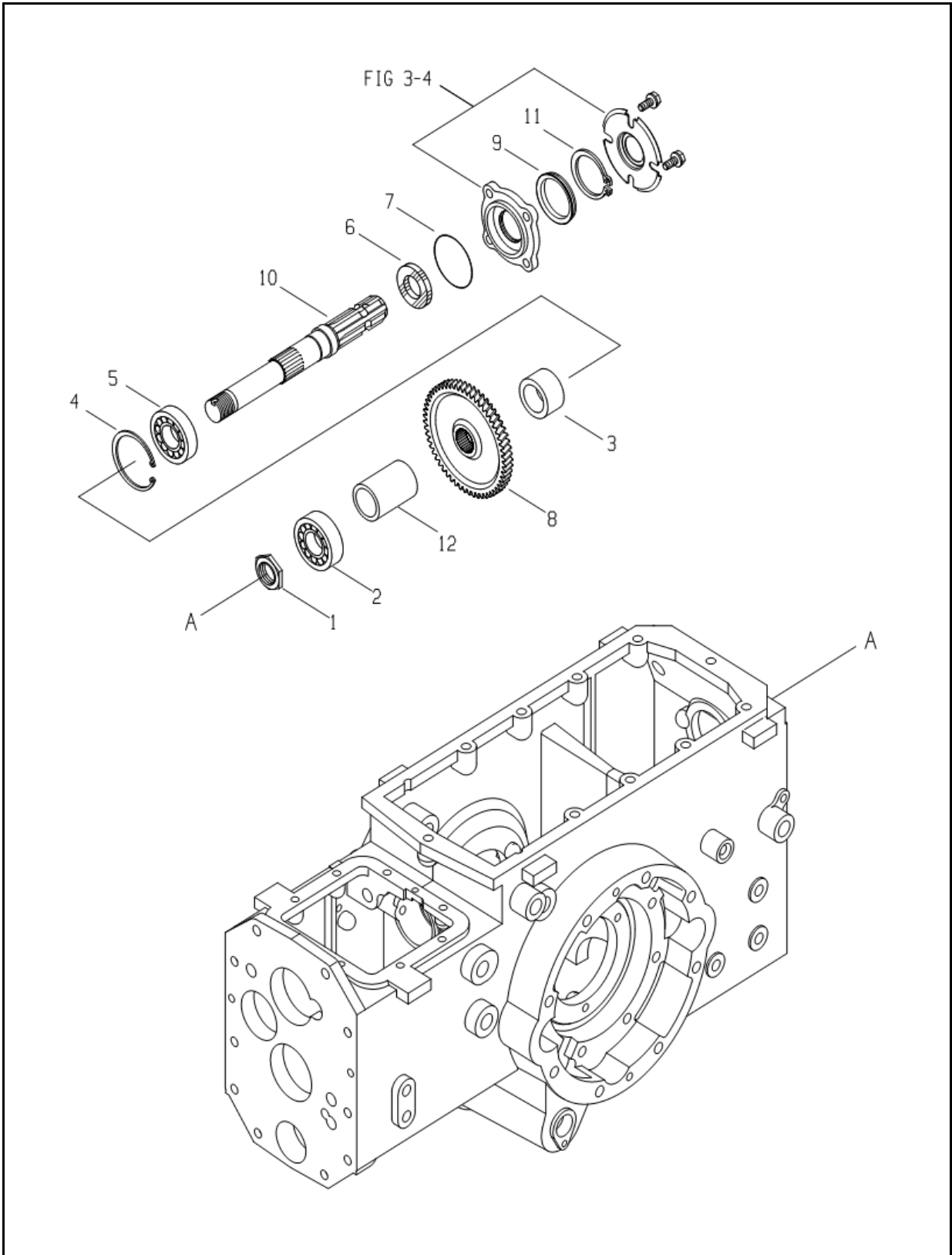
FIG. 3-7B EX, AG, VA (PTO1)

NO.	PART NO.	PART NAME & DESCRIPTION	QTY			APP. NO	REM.
			A	B	C		
1	S811072001	RING, SNAP D76.5x2.5t	3	3	3		
2	A0862070	BEARING, BALL #6207(OD72xID35x17)	1	1	1		
3	A1285160	SHAFT, SUB DRIVE W/GEAR 14T	1	1	1		
4	A0860080	BEARING, BALL #6008(OD68xID40x15)	1	1	1		
5	S811068001	RING, SNAP D72.5x2.5t	1	1	1		
6	A1285149	GEAR, SUB SELECTOR 30T	1	1	1		
7	S810032001	RING, SNAP D29.6x1.5t	1	1	1		
8	A1281303	SLEEVE, F-R	1	1	1		
9	3A1970157	BEARING, NEEDLE OD45xID40x27	1	1	1		
10	A1285141	GEAR, LOW DRIVEN 45T	1	1	1		
11	A1288063	GEAR, 4WD DRIVE 34T	1	1	1		
12	A1281319	SPACER OD45xID35x9.5	1	1	1		
13	A1287079	NUT, LOCK M35x1.5	1	1	1		
14	A1326032	BEARING, TAPER #32207C(OD72xID35x23)	1	1	1		
15	S811062001	RING, SNAP D66.2x2t	2	2	2		
16	A0863050	BEARING, BALL #6305(OD62xID25x17)	2	2	2		
17	A1285138	GEAR, SUB DRIVEN 46T	1	1	1		
18	A1285151	SPACER D30x71.5L	1	1	1		
19	A1285139	GEAR, SUB DRIVEN 30T	1	1	1		
20	S810030001	RING, SNAP D27.9x1.5t	1	1	1		
21	A1285150	SHAFT, SUB DRIVE W/GEAR 14T	1	1	1		
22	A1970274	BEARING, NEEDLE K20x26x20	1	1	1		
23	A0870451	SHIM OD46xID36x0.15t	1	1	1		
24	A0870452	SHIM OD46xID36x0.2t	1	1	1		
25	A0870455	SHIM OD46xID36x0.5t	1	1	1		
26	A0870458	SHIM OD46xID36x1.0t	1	1	1		
27	A1326067	BEARING, TAPER	1	1	1		
28	A1326068	SPACER	1	1	1		
29	A1326069	SPACER	1	1	1		

PTO SHAFT

FIG. 3-9B

G. 287



PTO SHAFT

A-LT280D, B-LT300D, C-LT360D

A-LT280D, B-LT300D, C-LT360D

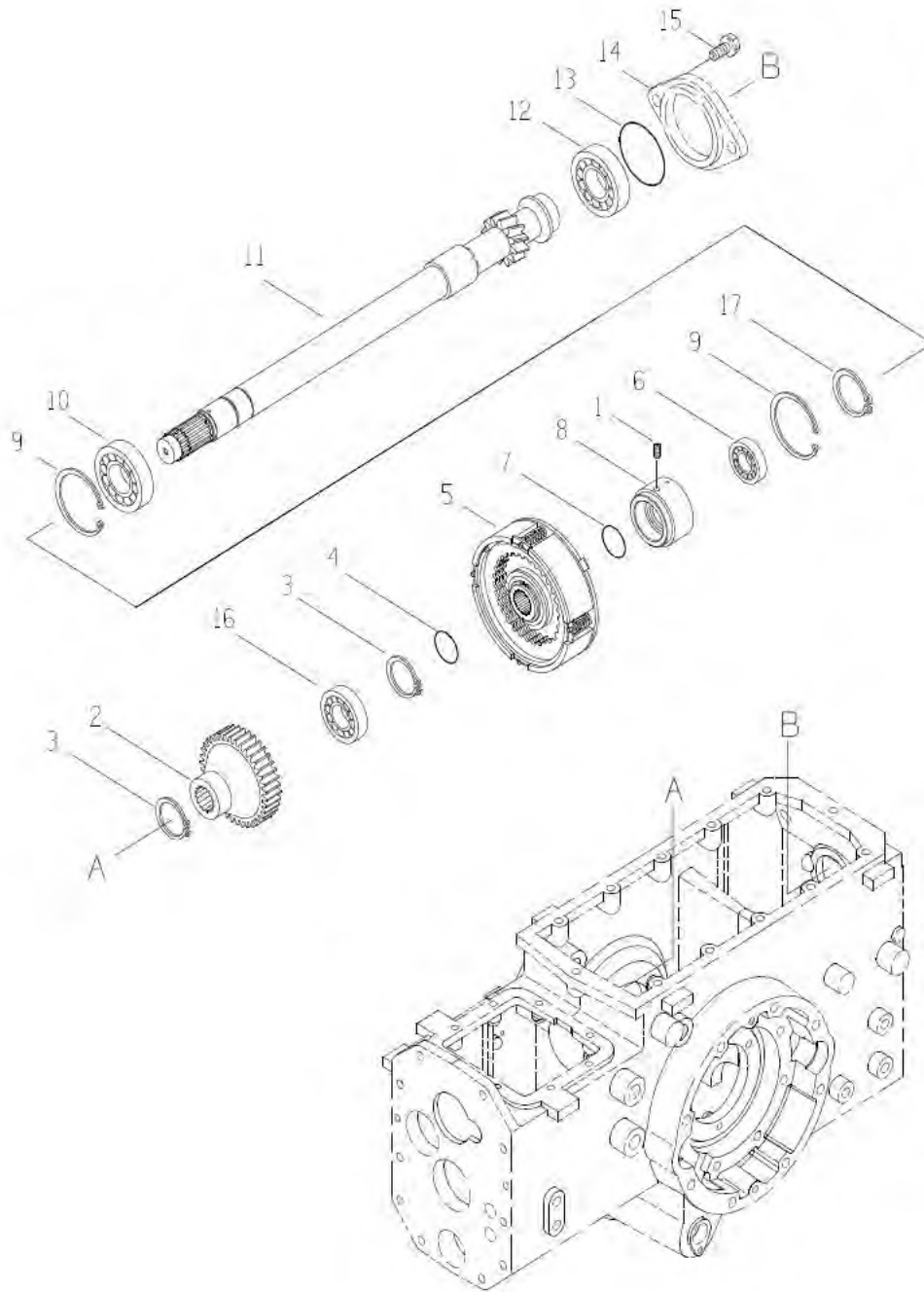
FIG. 3-9B EX, AG, VA (PTO1)

NO.	PART NO.	PART NAME & DESCRIPTION		QTY			APP. NO	REM.
				A	B	C		
1	A1287179	NUT, LOCK	M30x1.5	1	*	1		
2	A0863060	BEARING, BALL	#6306(OD72xID30x19)	1	*	1		
3	A1281192	SPACER	OD50xID33x44.5L	1	*	1		
4	S811072001	RING, SNAP	D72x2.5t	1	*	1		
5	A0862070	BEARING, BALL	#6207(OD72xID35x17)	1	*	1		
6	A1287211	SEAL, OIL	OD62xID40x11.5	1	*	1		
7	S804070010	O-RING		1	*	1		
8	A1287214	GEAR(56T),PTO 1ST DRIVEN		1	*	1		
9	A0653232	SEAL, DUST		1	*	1		
10	A1287218	SHAFT, PTO		1	*	1		
11	S810036001	RING, SNAP	OD42xID33x87L	1	*	1		
12	A1287215	SPACER		1	*	1		

PTO DRIVE SHAFT

FIG. 3-10B

G. 283, 287



PTO DRIVE SHAFT

A-LT280D, B-LT300D, C-LT360D

A-LT280D, B-LT300D, C-LT360D

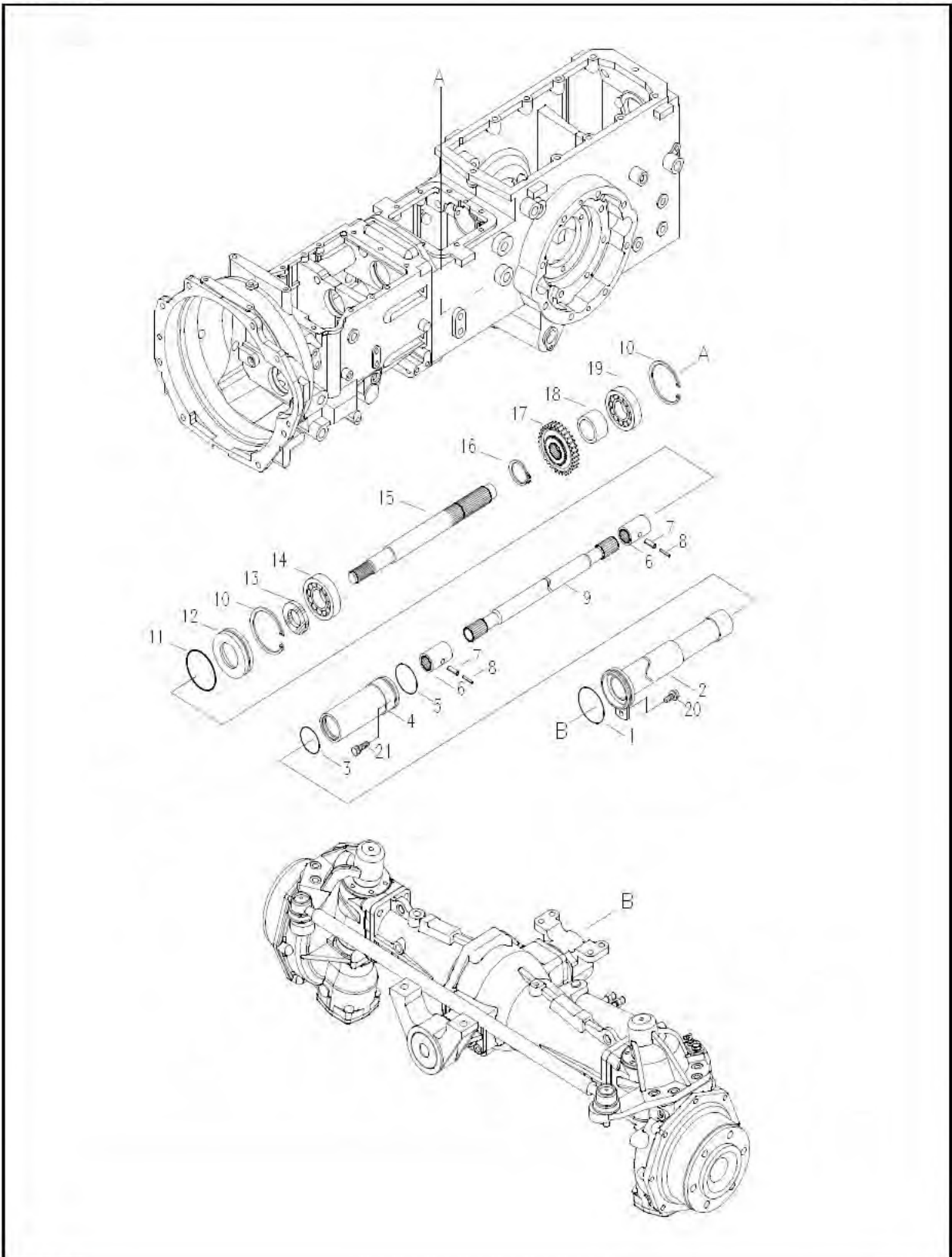
FIG. 3-10B EX, AG, VA (INDP, PTO1)

NO.	PART NO.	PART NAME & DESCRIPTION		QTY			APP. NO	REM.
				A	B	C		
1	S202082021	SCREW, SET. SOC	M8x1.25x20L	1	*	1		
2	A1283191	HUB, PTO CLUTCH		1	*	1		
3	S810022001	RING, SNAP	D22x1.2t	2	*	2		
4	S804020010	O-RING	S20(D20xW1.5)	1	*	1		
5	A1287185	CLUTCH, PTO		1	*	1		
6	A0860050	BEARING, BALL	#6005(OD47xID25x12)	1	*	1		
7	A1281229	RING, PISTON	D25x2.5	1	*	1		
8	A1283192	SLEEVE, HYD. CIRCUIT		1	*	1		
9	S811062001	RING, SNAP	D62x2t	2	*	2		
10	A0863050	BEARING, BALL	#6305(OD62xID25x17)	1	*	1		
11	A1287217	SHAFT, PTO DRIVE		1	*	1		
12	A0863060	BEARING, BALL	#6306(OD72xID30x19)	1	*	1		
13	S804070010	O-RING	S70(D70xW2.0)	1	*	1		
14	A1280090	COVER, PTO SHAFT		1	*	1		
15	S154102533	BOLT, HEX	M10x1.25x25L	2	*	2		
16	A0860040	BEARING, BALL	#6004(OD42xID20x12)	1	*	1		
17	S810025001	RING, SNAP	D25x1.2t	1	*	1		

FRONT WHEEL DRIVE

FIG. 3-12

G. 288, 380



FRONT WHEEL DRIVE

A-LT280D, B-LT300D, C-LT360D

A-LT280D, B-LT300D, C-LT360D

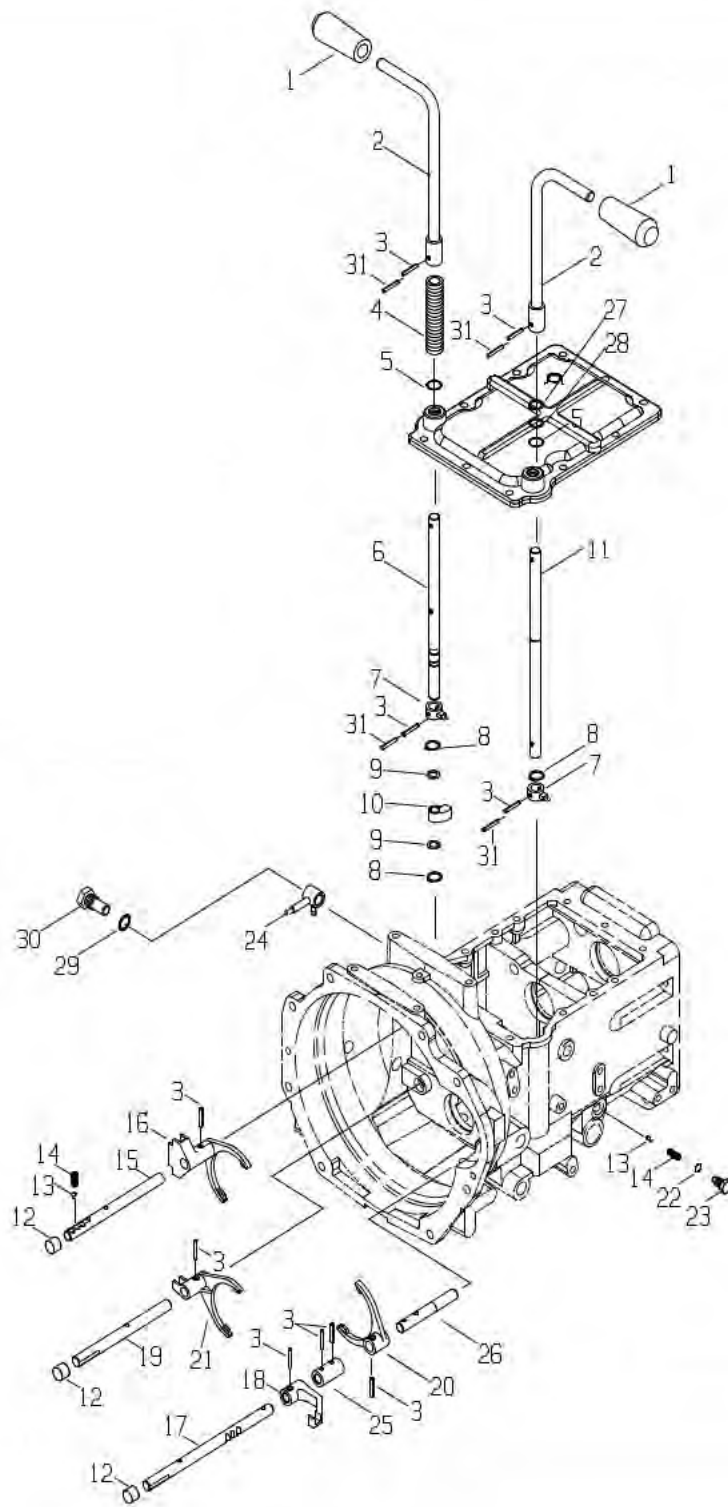
FIG. 3-12

NO.	PART NO.	PART NAME & DESCRIPTION		QTY			APP. NO	REM.
				A	B	C		
1	S802060010	O-RING	D59.4xW3.1	1	1	1		
2	A1380017	COVER, 4WD FRONT		1	1	1		
3	S802040010	O-RING	G40(D39.4xW3.1)	1	1	1		
4	A1380016	COVER, 4WD		1	1	1		
5	S801046010	O-RING	D45.7xW3.5	1	1	1		
6	A1288028	JOINT, 4WD		2	2	2		
7	S446053210	PIN, SPRING	D5x32	2	2	2		
8	S446033210	PIN, SPRING	D3x32	2	2	2		
9	A1288062	SHAFT, 4WD FRONT		1	1	1		
10	S811052001	RING, SNAP	D56.2x2t	2	2	2		
11	S801046010	O-RING	D45.7xW3.5	1	1	1		
12	A1288043	HOUSING, SEAL	D52	1	1	1		
13	A0651253	SEAL, OIL	TC25-3(OD40xID25x8)	1	1	1		
14	A0862050	BEARING, BALL	#6205(OD52xID25x15)	1	1	1		
15	A1288061	SHAFT, 4WD		1	1	1		
16	S810030001	RING, SNAP	D27.9x1.5t	1	1	1		
17	A1288064	GEAR, 43T		1	1	1		
18	A1288065	SPACER	OD25xID35x25L	1	1	1		
19	A0862052	BEARING, BALL	#6205ZZ(OD52xID25x15)	1	1	1		
20	S153082533	BOLT, HEX	M8x1.25	1	1	1		
21	S154102033	BOLT, HEX	M10x1.25	1	1	1		

SHIFT LEVER & FORK

FIG. 3-13

G. 290, 292



SHIFT LEVER & FORK

A-LT280D, B-LT300D, C-LT360D

A-LT280D, B-LT300D, C-LT360D

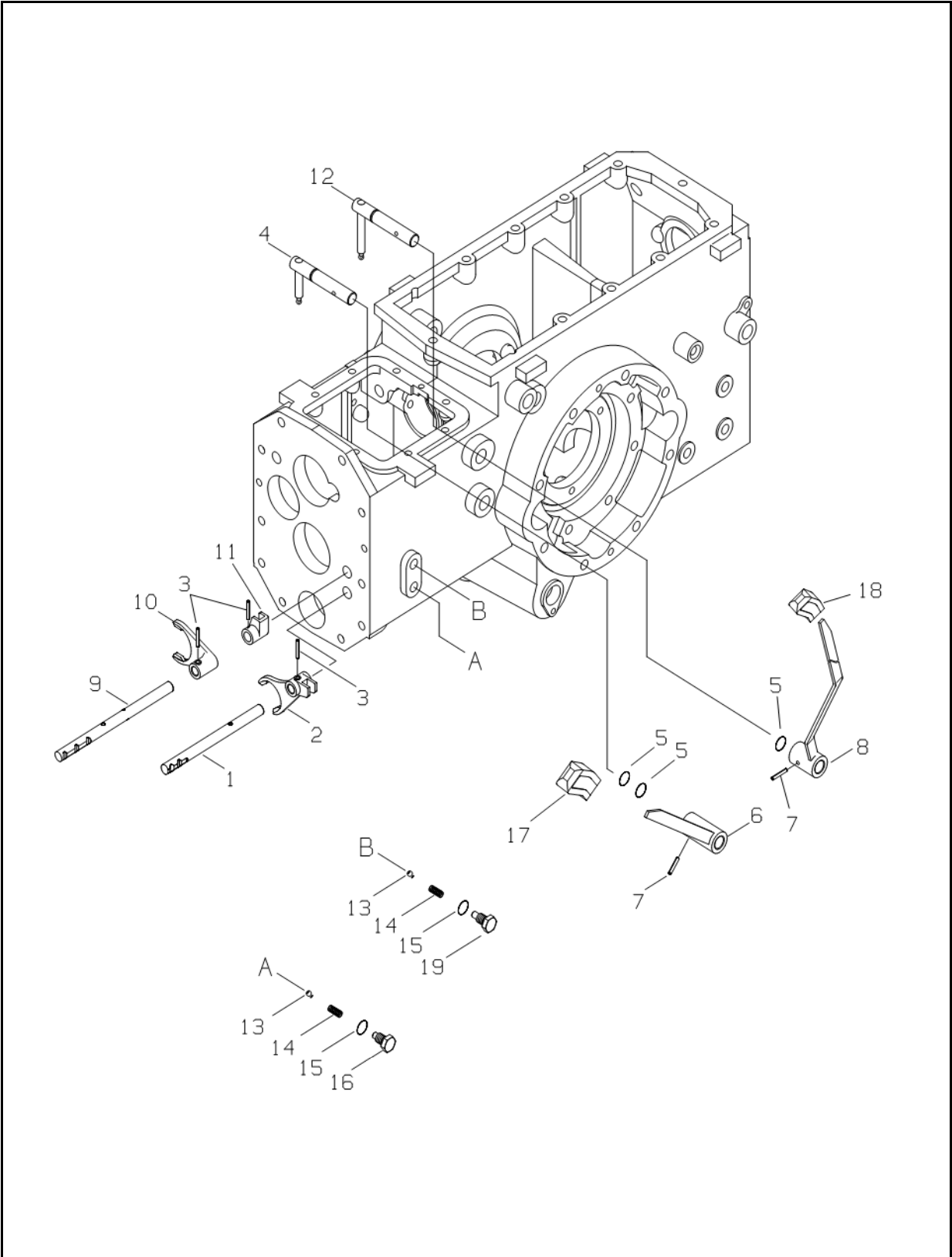
FIG. 3-13

NO.	PART NO.	PART NAME & DESCRIPTION		QTY			APP. NO	REM.
				A	B	C		
1	A1970275	GRIP		2	2	2		
2	A1292126	HAND LEVER, CHANGE		2	2	2		
3	S446062510	PIN, SPRING	D6x25	10	10	10		
4	A1292129	SPRING		1	1	1		
5	S801016010	O-RING	D15.8xW2.4	2	2	2		
6	A1290102	LEVER, MAIN CHANGE		1	1	1		
7	A1290100	ARM, MAIN 1ST		2	2	2		
8	S810016001	RING, SNAP	D14.7x1t	3	3	3		
9	A0660026	SHIM	D16	6	6	6		
10	A1290098	ADAPTER		1	1	1		
11	A1290101	LEVER, F-R		1	1	1		
12	3A1290009	CAP, RAIL		3	3	3		
13	A20063390	BALL, SHIFTER FORK	(11/32)	2	2	2		
14	3A1290011	SPRING		2	2	2		
15	A1290104	RIAL, MAIN 1ST		1	1	1		
16	A1290093	FORK, MAIN 1ST		1	1	1		
17	A1290116	RAIL, F-R		1	1	1		
18	A1290108	ADAPTER, F-R		1	1	1		
19	A1290106	RAIL, MAIN 2ND		1	1	1		
20	A1290115	FORK, F-R		1	1	1		
21	A1290094	FORK, MAIN 2ND		1	1	1		
22	S801010A10	O-RING	D9.8xW2.4	1	1	1		
23	A1291145	BOLT, RAIL	M12x1.75x23L	1	1	1		
24	A1290097	ARM, MAIN 2ND		1	1	1		
25	A1290117	ADAPTER, F-R		1	1	1		
26	A1290111	RAIL, F-R 2ND		1	1	1		
27	S814015001	RING, SNAP(E) S.	D15x1.5t	1	1	1		
28	S364160013	WASHER, PLN. F-RD	OD30xID17x3.0t	1	1	1		
29	A10263360	COPPER, WASHER		1	1	1		
30	A1290103	BOLT, ARM SHAFT		1	1	1		
31	A0621025	PIN, SPRING	D3.5X25L	4	4	4		

SHIFT LEVER & FORK

FIG. 3-14B

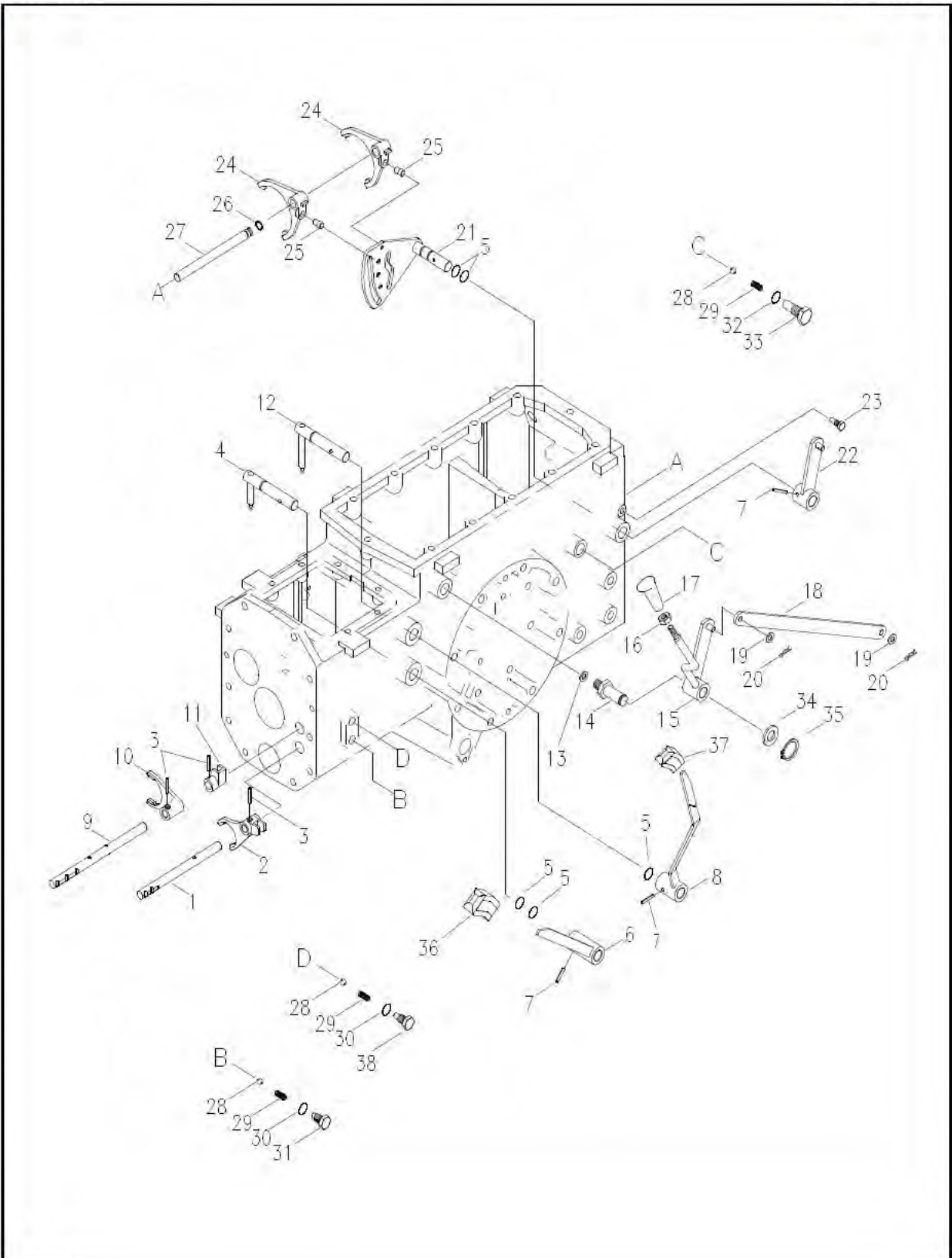
G. 290, 292



SHIFT LEVER & FORK

FIG. 3-14

G. 290, 292



SHIFT LEVER & FORK

A-LT280D, B-LT300D, C-LT360D

A-LT280D, B-LT300D, C-LT360D

FIG. 3-14

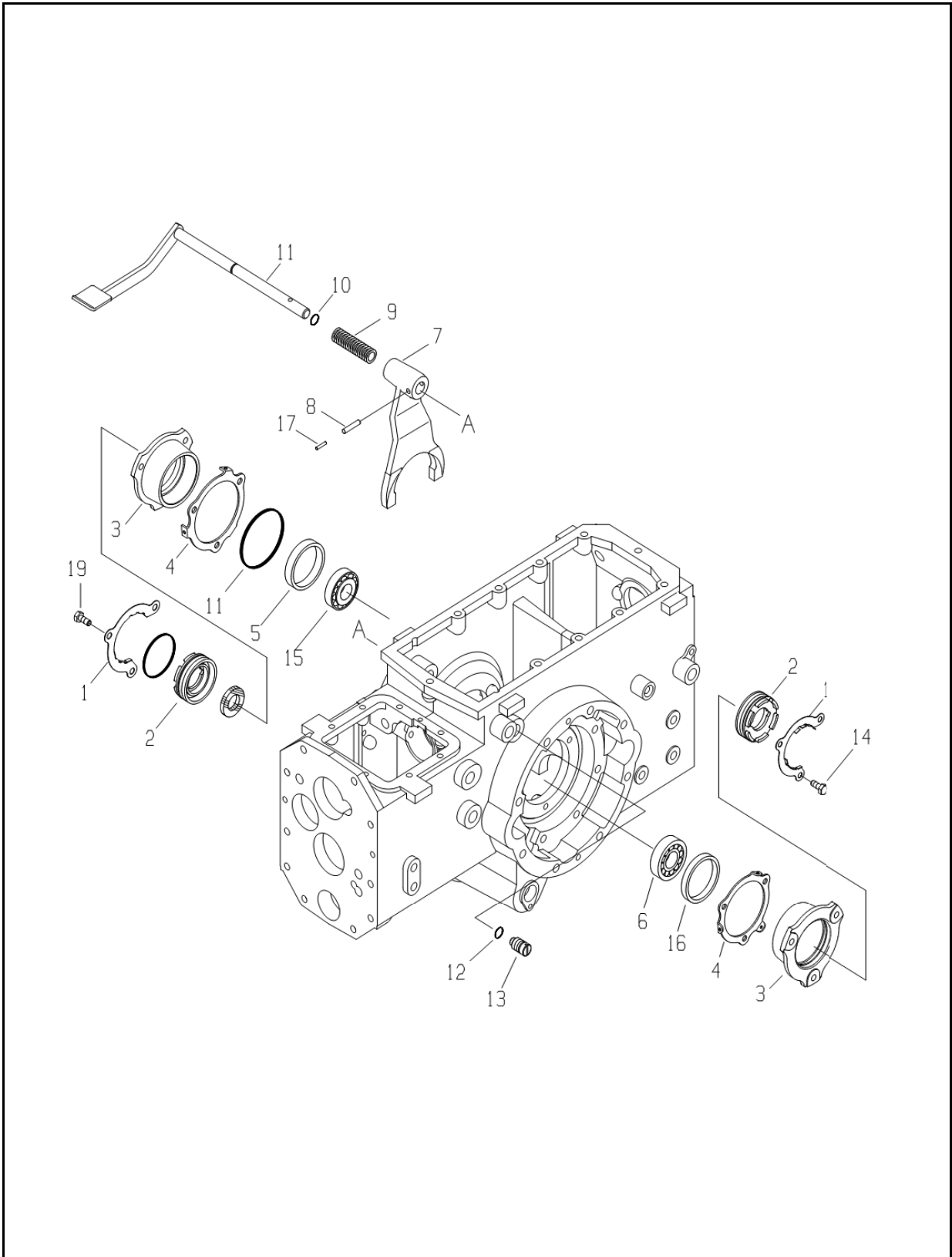
(PTO3)

NO.	PART NO.	PART NAME & DESCRIPTION	QTY			APP. NO	REM.
			A	B	C		
1	A1291144	RAIL, 4WD	1	1	1		
2	A1291135	FORK, 4WD	1	1	1		
3	S446062510	PIN, SPRING	3	3	3		
4	A1291140	LEVER, 4WD	1	1	1		
5	S801016010	O-RING	5	5	5		
6	A1293124	HAND LEVER, 4WD	1	1	1		
7	S446063512	PIN, SPRING	3	3	3		
8	A1292127	HAND LVER, SUB CHANGE	1	1	1		
9	A1291170	RAIL, SUB CHANGE	1	1	1		
	A1291143	RAIL, SUB CHANGE	*	*	*		
10	A1291163	FORK, SUB CHANGE	1	1	1		
11	A1291149	ADAPTER, SUB CHANGE	1	1	1		
12	A1291164	LEVER, SUB CHANGE	1	1	1		
13	S361160013	WASHER, SPRING	1	1	1		
14	A1293121	SHAFT, PTO LEVER	1	1	1		
15	A1293120	HAND LEVER, PTO	1	1	1		
16	S314100013	NUT, HEX	1	1	1		
17	A1970291	GRIP, CHANGE	1	1	1		
18	A1293097	LINK, PTO	1	1	1		
19	S363100013	WASHER, PLAIN	2	2	2		
20	S443100013	PIN, SNAP	2	2	2		
21	A1291165	CAM, PTO LEVER	1	1	1		
22	A1293123	ARM, PTO	1	1	1		
23	A1291147	BOLT, RAIL HOLDER	1	1	1		
24	A1290096	FORK, PTO	2	2	2		
25	A1291146	PIN, PTO FORK	2	2	2		
26	S801012010	O-RING	1	1	1		
27	A1291142	RAIL, PTO	1	1	1		
28	A20063390	BALL, SHIFTER FORK	3	3	3		
29	3A1290011	SPRING	3	3	3		
30	S801010A10	O-RING	2	2	2		
31	A1291145	BOLT, RAIL	1	1	1		
32	S801015010	O-RING	1	1	1		
33	A1291148	GUIDER, SPRING	1	1	1		
34	S363200013	WASHER, PLAIN	1	1	1		
35	S810020001	RING, SNAP	1	1	1		
36	A1970241	KNOB, HYD	1	1	1		
37	A1970299	KNOB, SUB CHANGE	1	1	1		
38	A1291177	BOLT, RAIL	1	1	1		

DIFF-LOCK

FIG. 4-1

G. 310



DIFF-LOCK

A-LT280D, B-LT300D, C-LT360D

A-LT280D, B-LT300D, C-LT360D

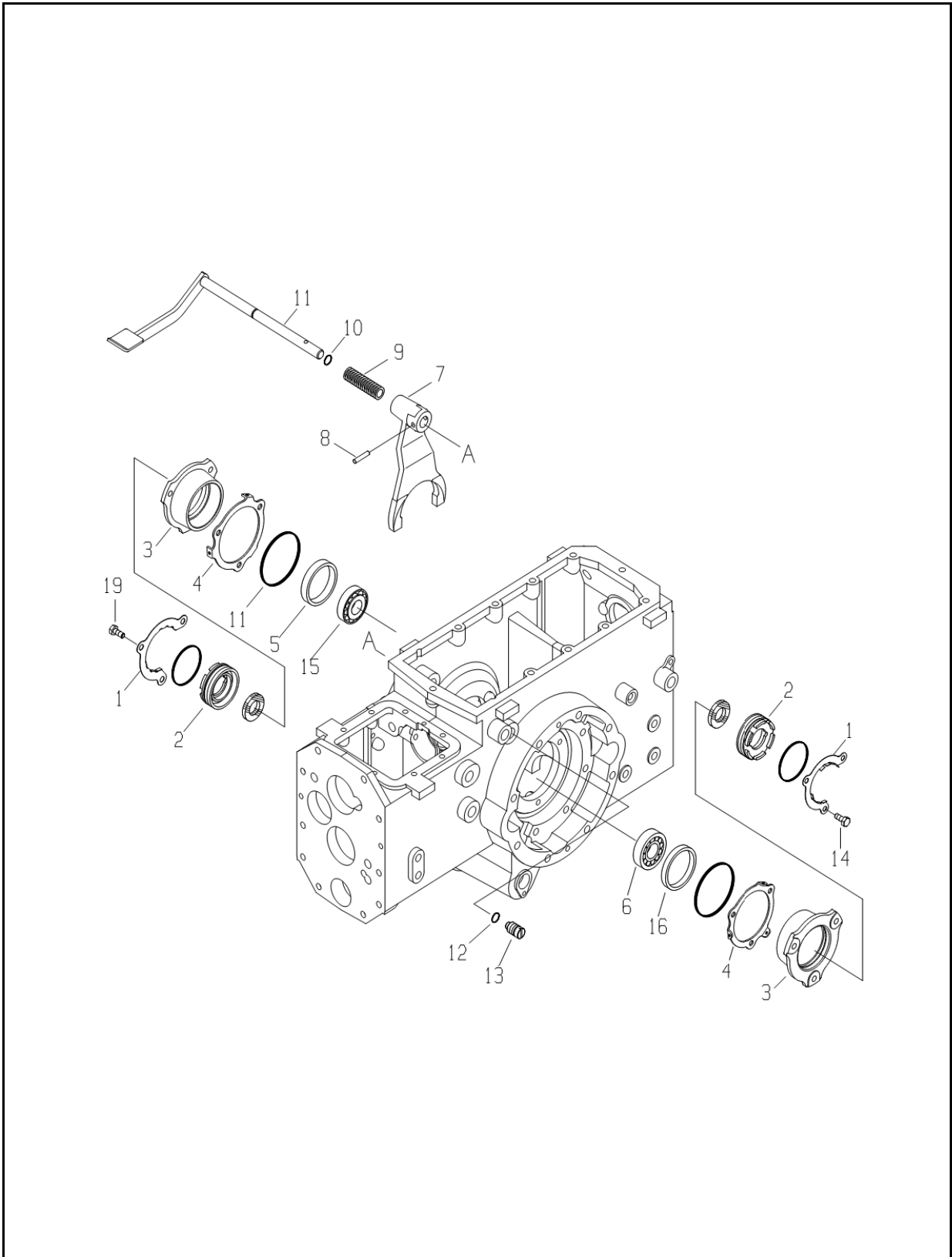
FIG. 4-1

NO.	PART NO.	PART NAME & DESCRIPTION	QTY			APP. NO	REM.
			A	B	C		
1	A1326050	PLATE, LOCK	2	2	2		
2	3A1326005	SCREW	2	2	2		
3	A1326048	SUPPORT, DIFF	2	2	2		
4	A1650074	HOLDER, SPRING(LH)	2	2	2		
5	A1326051	SPACER OD89.1xID77x14	1	1	1		
6	A0862100	BEARING, BALL #6210(OD90xID50x20)	1	1	1		
7	A1320025	FORK, DIFF	1	1	1		
8	S446084012	PIN, SPRING D8x40	1	1	1		
9	A1326047	SPRING	1	1	1		
10	S801016010	O-RING(G) D15.8xW2.4	1	1	1		
11	A1326049	PEDAL, DIFF	1	1	1		
12	S801021010	O-RING(G) D20.8xW2.4	1	1	1		
13	A1326046	SCREW, ADJUST M22x1.5	1	1	1		
14	S165102543	BOLT, HEX M10x1.25	6	6	6		
15	A26799980	BEARING, TAPER ROLLER #30210(OD90xID50x21.75)	1	1	1		
16	A1326052	SPACER OD89.1xID77x8	1	1	1		
17	S446054012	PIN, SPRING D5x40	1	1	1		

DIFF-LOCK

FIG. 4-1

G. 310



DIFF-LOCK

A-LT280D, B-LT300D, C-LT360D

A-LT280D, B-LT300D, C-LT360D

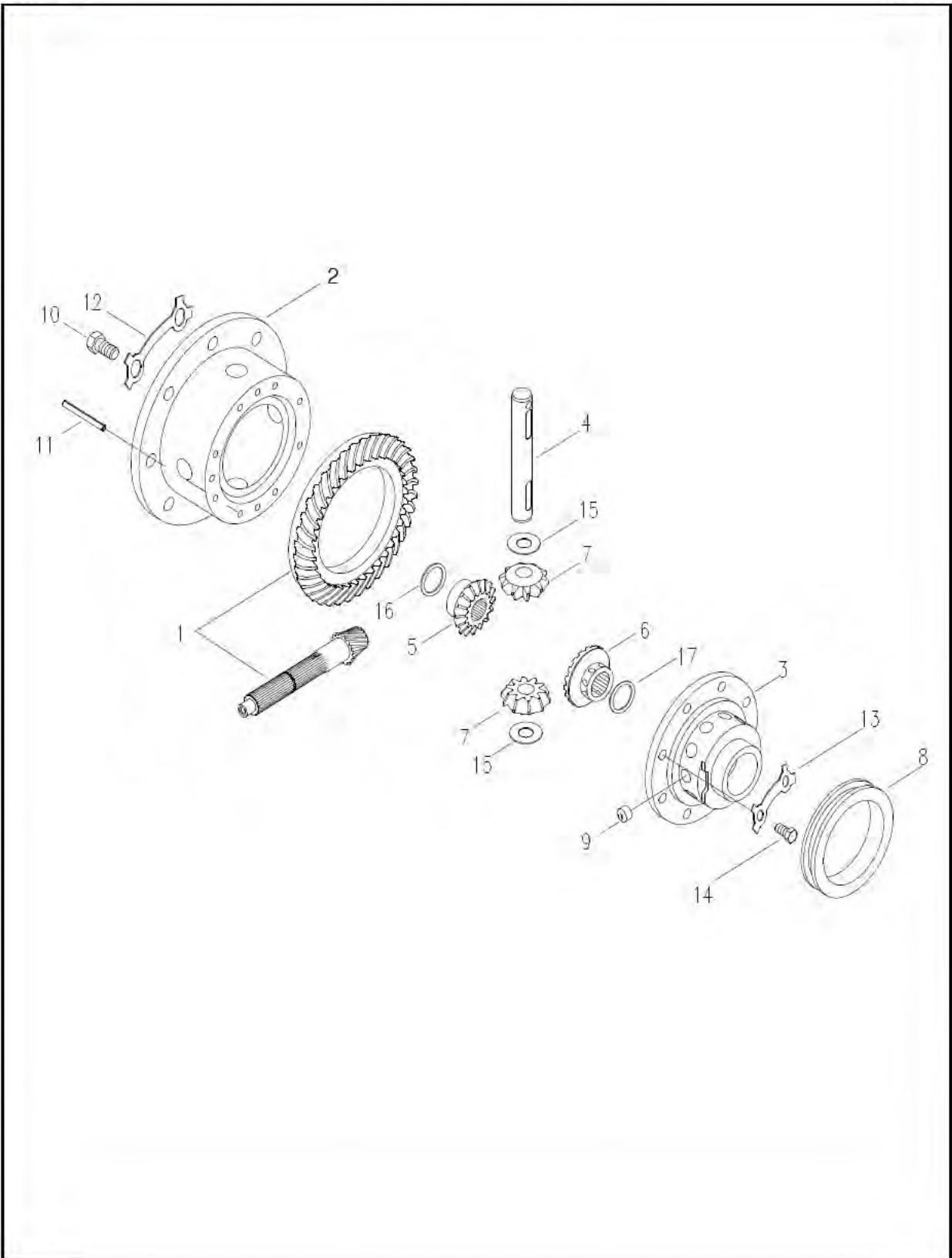
FIG. 4-1

NO.	PART NO.	PART NAME & DESCRIPTION		QTY			APP. NO	REM.
				A	B	C		
1	A1326050	PLATE, LOCK		2	2	2		
2	3A1326005	GRAND NUT	M85x1.5	2	2	2		
3	A0653004	SEAL, OIL		2	2	2		
4	A1326048	SUPPORT, DIFF		2	2	2		
5	A1650074	HOLDER, SPRING(LH)		1	1	1		
6	A1326051	SPACER	OD89.1xID77x14	1	1	1		
7	A0862100	BEARING, BALL	#6210(OD90xID50x20)	1	1	1		
8	A1650075	HOLDER, SPRING(RH)		1	1	1		
9	S802080010	O-RING(G)	D79.4XW3.1	2	2	2		
10	S802110010	O-RING(G)	D109.4XW3.1	2	2	2		
11-12	3A1326013	FORK ASSY		1	1	1		
11	3A1326015	ADAPTER		1	1	1		
12	2A1326014	FORK, DIFF		1	1	1		
13	S446084012	PIN, SPRING	D8x40	1	1	1		
14	A1326047	SPRING		1	1	1		
15	S801016010	O-RING(G)	D15.8xW2.4	1	1	1		
16	A1326049	PEDAL, DIFF		1	1	1		
17	S801021010	O-RING(G)	D20.8xW2.4	1	1	1		
18	A1326046	SCREW, ADJUST	M22x1.5	1	1	1		
19	S165102543	BOLT, HEX	M10x1.25	6	6	6		
20	A26799980	BEARING, TAPER ROLLER	#30210(OD90xID50x21.75)	1	1	1		
21	A1326052	SPACER	OD89.1xID77x8	1	1	1		

REAR DIFERENTIAL

FIG. 4-2

G. 320



REAR DIFERENTIAL

A-LT280D, B-LT300D, C-LT360D

A-LT280D, B-LT300D, C-LT360D

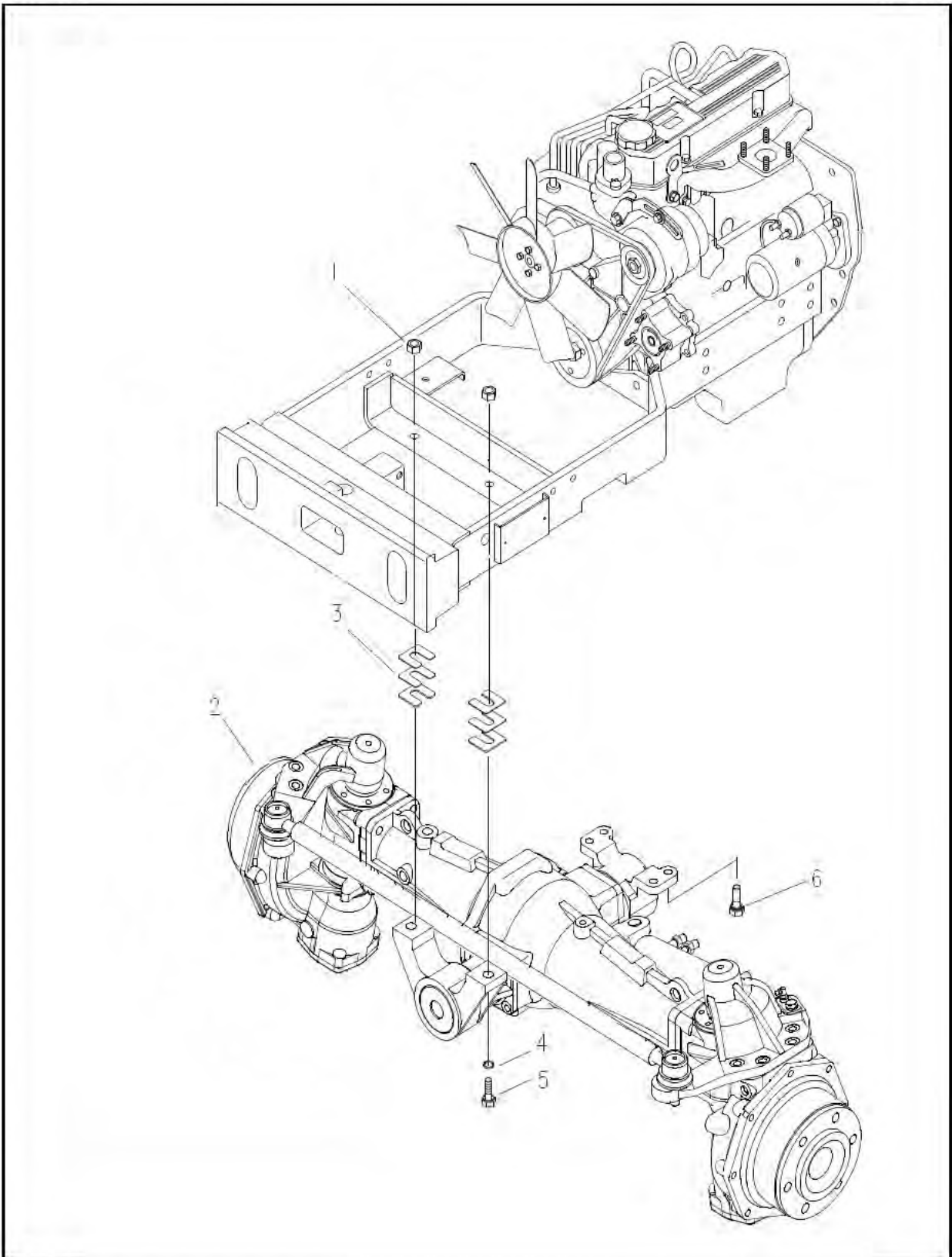
FIG. 4-2

NO.	PART NO.	PART NAME & DESCRIPTION	QTY			APP. NO	REM.
			A	B	C		
1-17	A1324103	DIFF ASSY	1	1	1		
1	A1324105	PINION & RING GEAR SET	1	1	1		
2	A1324091	CASE, DIFF. (1)	1	1	1		
3	A1324074	CASE, DIFF. (2)	1	1	1		
4	A1324075	SHAFT (1)	1	1	1		
5	A1324117	GEAR, DIFF. SIDE(LH)	16t	1	1	1	
6	A1324118	GEAR, DIFF. SIDE(RH)		1	1	1	
7	A1324116	GEAR, PINION. MATE	10t	2	2	2	
8	3A1324007	HUB, DIFF-LOCK		1	1	1	
9	3A1324014	ROLLER	D12x1.5	10	10	10	
10	A1324090	BOLT, HEX	M12x1.25x23	8	8	8	
11	S446065010	PIN, SPRING	D6x50	1	1	1	
12	3A1324012	PLATE, LOCKING	1.0t	4	4	4	
13	A1324079	WASHER, LOCK (2)	1.0t	4	4	4	
14	S105082043	BOLT, HEX	M8x1.25	8	8	8	
15	3A1970123	WASHER, THRUST	OD42.07xID19.45x0.8t	2	2	2	
16	3A1970122	WASHER, THRUST	OD71.44xID41.47x0.8t	1	1	1	
17	3A1324003	WASHER, THRUST(LH)	OD74xID55x0.8t	1	1	1	

FRONT AXLE ASSY

FIG. 5-1

G. 400



FRONT AXLE ASSY

A-LT280D, B-LT300D, C-LT360D

A-LT280D, B-LT300D, C-LT360D

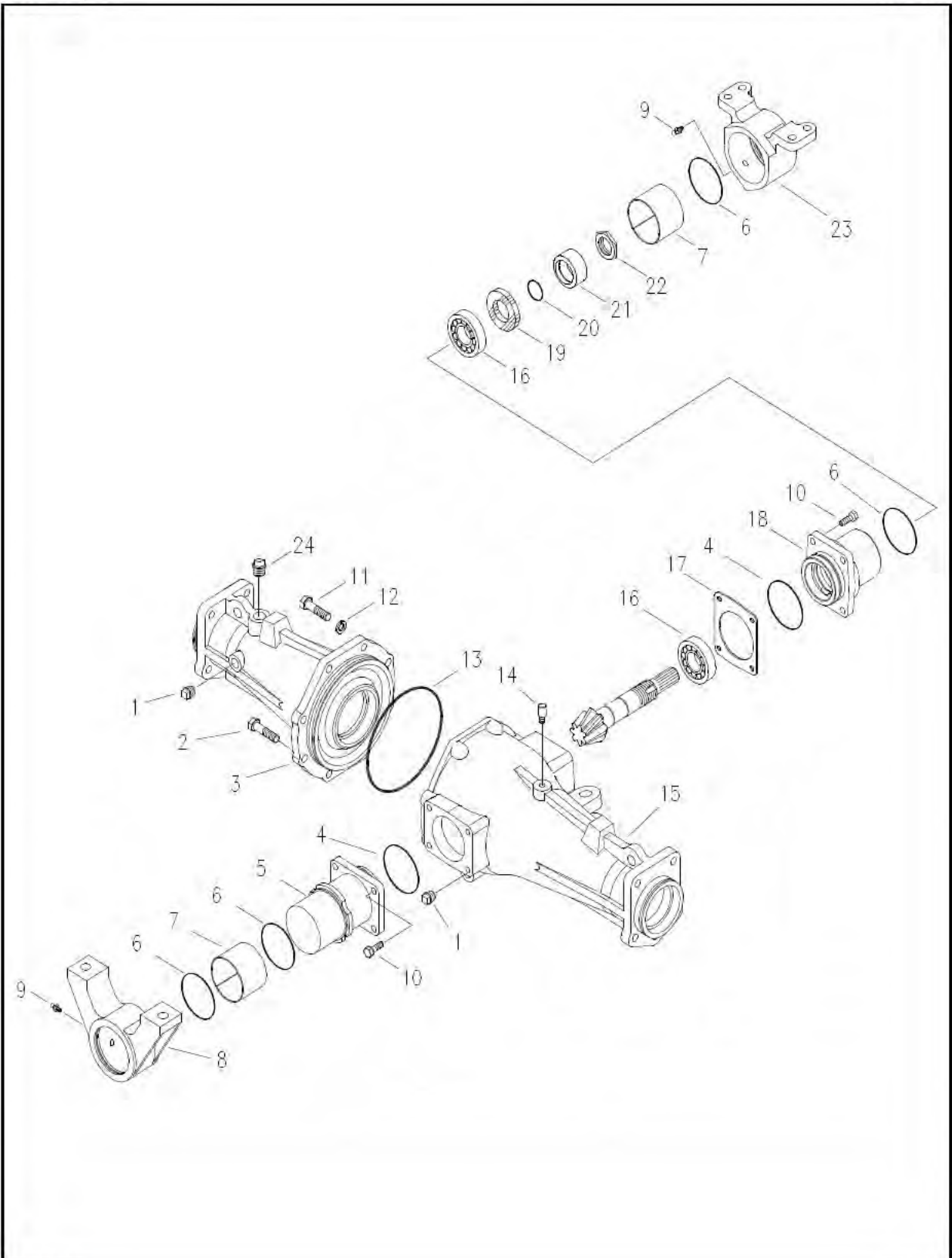
FIG. 5-1

NO.	PART NO.	PART NAME & DESCRIPTION		QTY			APP. NO	REM.
				A	B	C		
1	A1400129	NUT, LOCK	M16x1.5	2	2	2		
2	A1400287	FRONT AXLE ASSY		1	1	1		
3	A1400130	LINER, F/AXLE	0.4t	AR	AR	AR		
	A1400131	LINER, F/AXLE	1.2t	AR	AR	AR		
	A1400132	LINER, F/AXLE	2.3t	AR	AR	AR		
4	S361160013	WASHER, SPRING	Φ28×Φ16.2×4t	2	2	2		
5	S103164543	BOLT, HEX	M16x1.5x45	2	2	2		
6	S154123533	BOLT, W/WASHER	M12X1.25X35	4	4	4		

FRONT AXLE CASE

FIG. 5-2A

G. 400



FRONT AXLE CASE

A-LT280D, B-LT300D, C-LT360D

A-LT280D, B-LT300D, C-LT360D

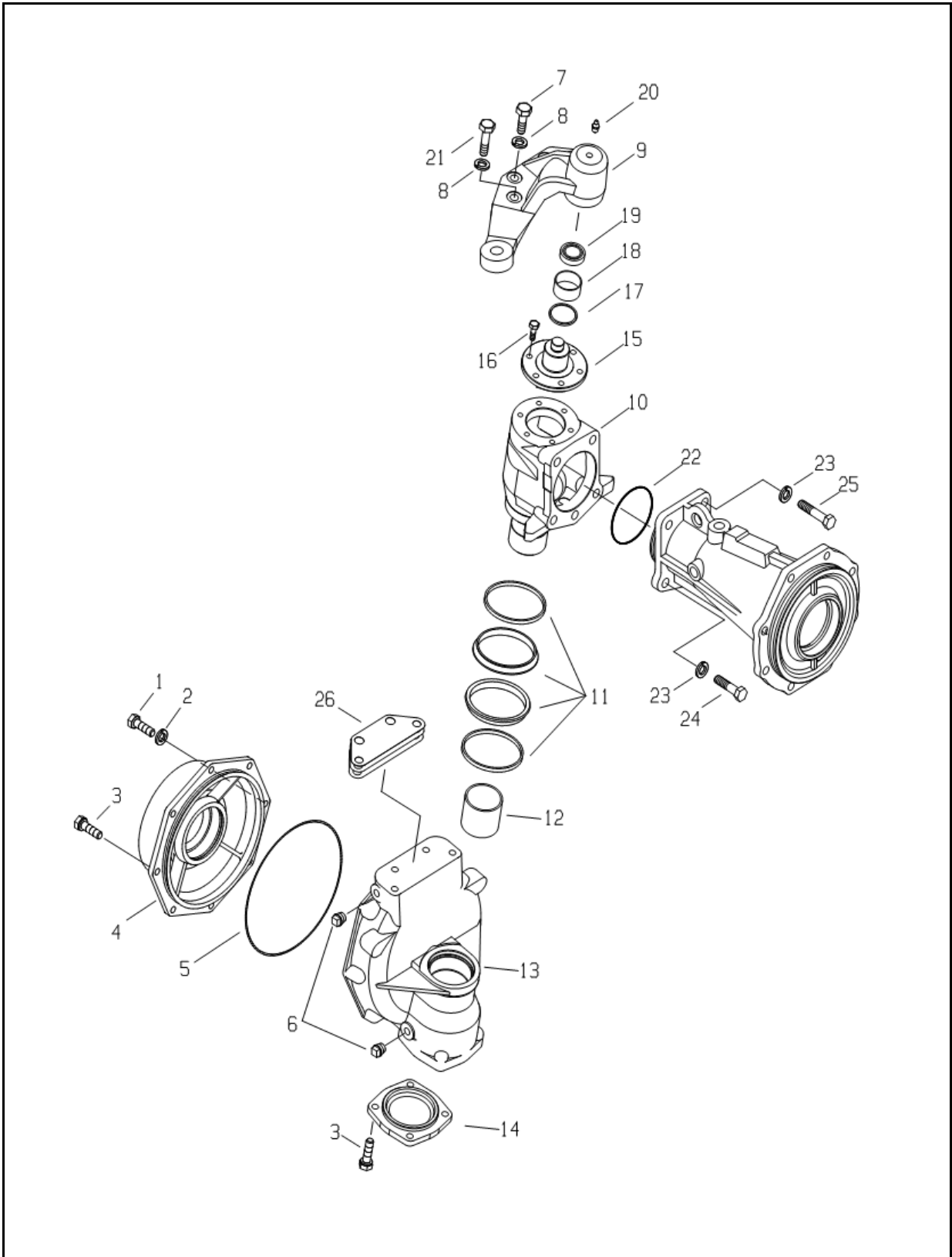
FIG. 5-2A

NO.	PART NO.	PART NAME & DESCRIPTION		QTY			APP. NO	REM.
				A	B	C		
1	3A1970052	PLUG, TAPER	PT 3/8	3	3	3		
2	S153123533	BOLT, HEX . W / WASHER	M12x1.75x35	7	7	7		
3	A1400163	CENTER(RH)		1	1	1		
4	S802075010	O-RING	D74.4x3.1	2	2	2		
5	A1400100	HOLDER, F/PIVOT		1	1	1		
6	S802080010	O-RING	D79.4x3.1	4	4	4		
7	3A1970006	BUSHING	80x40	2	2	2		
8	A1400118	BRACKET, FRONT		1	1	1		
9	3A1970069	NIPPLE, GREASE	PT 1/8	2	2	2		
10	S154103033	BOLT, HEX . W / WASHER	M10x1.25x30	8	8	8		
11	3A1970050	BOLT, REAMER	M12x1.75	1	1	1		
12	S361120013	WASHER, SPRING	φ21.5xφ12.2x3t	1	1	1		
13	S802175010	O-RING	D174.3x5.7	1	1	1		
14	3A1400004	BREATHER, AIR		1	1	1		
15	A1400164	CENTER(LH)		1	1	1		
16	A1400093	BEARING, TAPER	#32206C (OD62xID30x21.25)	2	2	2		
17	3A1970100	SHIM	0.07t	AR	AR	AR		
	3A1970101	SHIM	0.2t	AR	AR	AR		
18	3A1400010	CASE, BEARING		1	1	1		
19	3A1970012	SEAL, OIL	φ62xφ45x9t	1	1	1		
20	S801030010	O-RING	D29.7x3.5	1	1	1		
21	3A1411004	BUSHING, SEAL	φ45x15	1	1	1		
22	3A1970065	NUT, LOCK	M30x1.5	1	1	1		
23	A1400119	BRACKET, REAR		1	1	1		
24	3A1970051	PLUG, TAPER	PT 1/2	1	1	1		

FRONT AXLE CASE(RH)

FIG. 5-2B

G. 400



FRONT AXLE CASE(RH)

A-LT280D, B-LT300D, C-LT360D

A-LT280D, B-LT300D, C-LT360D

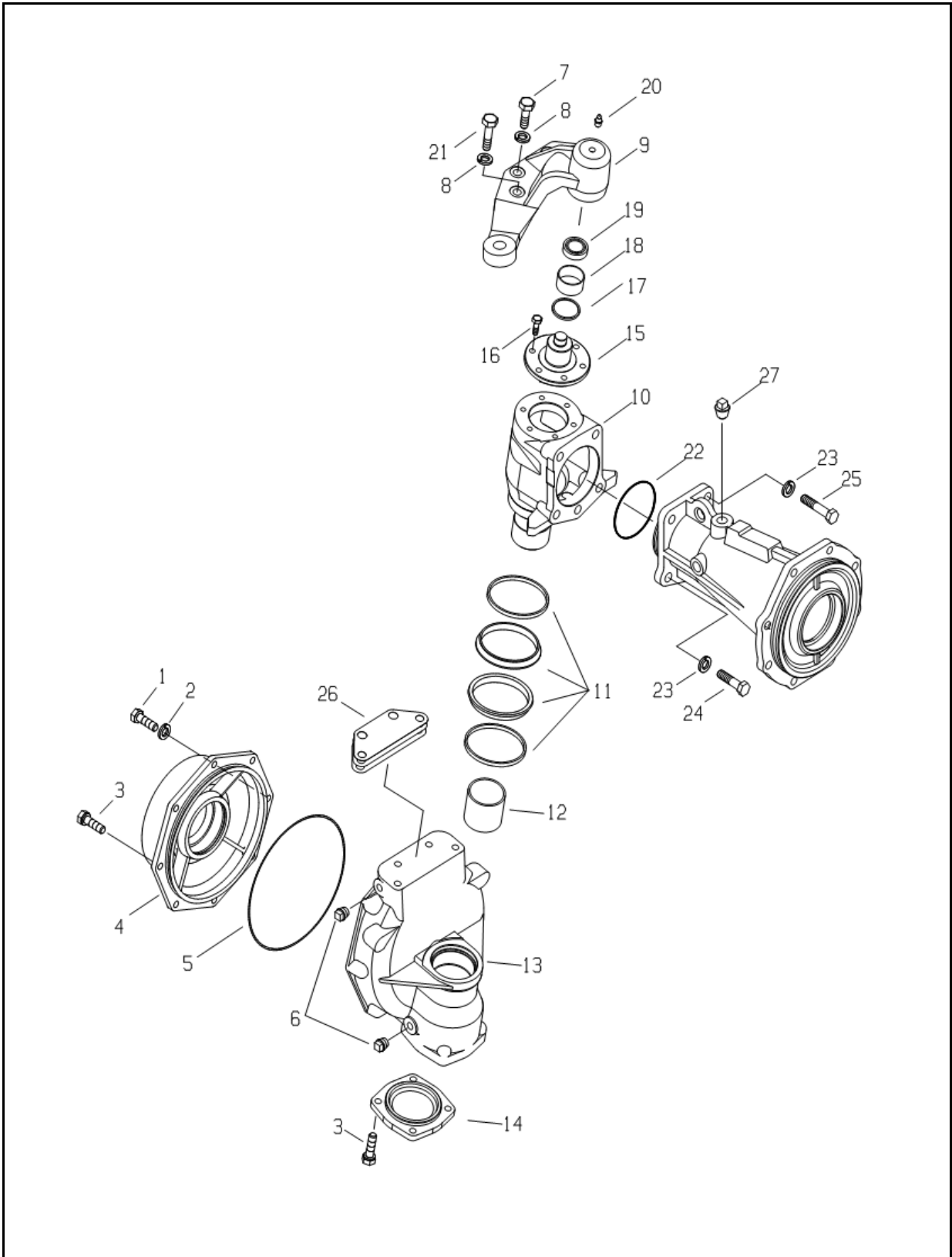
FIG. 5-2B

NO.	PART NO.	PART NAME & DESCRIPTION		QTY			APP. NO	REM.
				A	B	C		
1	3A1970055	BOLT, REAMER	M10x1.25	1	1	1		
2	S361100013	WASHER, SPRING	Φ18.4x10.2x2.5t	1	1	1		
3	S154103033	BOLT, HEX . W / WASHER	M10x1.25x30	11	11	11		
4	A1402067	COVER, GEAR CASE		1	1	1		
5	3A1970056	O-RING	D231x3	1	1	1		
6	3A1970052	PLUG, TAPER	PT 3/8	2	2	2		
7	S101123043	BOLT, HEX	M12x1.75x30	2	2	2		
8	S361120013	WASHER, SPRING	Φ21.5xΦ12.2x3t	4	4	4		
9	A1400289	ARM(RH)		1	1	1		
10	A1400293	CASE, KINGPIN		1	1	1		
11	A1400168	GROUP SEAL		1	1	1		
12	A1400077	BUSHING, DU	MB6030DU	1	1	1		
13	A1400292	CASE, GEAR(RH)		1	1	1		
14	A1400288	COVER, W/BRG CASE		1	1	1		
15	A1400286	HOLDER, ARM		1	1	1		
16	S153082533	BOLT, HEX. W/WASHER	M8x1.25x25	6	6	6		
17	A0652582	SEAL, DUST	Φ40xΦ48x6.5t	1	1	1		
18	A0678120	BUSHING	MB4020DU	1	1	1		
19	A1400076	BEARING, T/ROLLER	#32004XJ	1	1	1		
20	3A1970069	NIPPLE, GREASE	PT 1/8	1	1	1		
21	3A1970057	BOLT, REAMER	M12X1.75X35	2	2	2		
22	S802090010	O-RING	D89.4x3.1	1	1	1		
23	S361140013	WASHER, SPRING	Φ24.5xΦ14.2x3.5t	5	5	5		
24	S101144043	BOLT, HEX	M14x2x40	4	4	4		
25	A1970307	BOLT, REAMER	M14x2x50	1	1	1		
26	A1402048	SHIM	0.15t	1	1	1		
	A1402049	SHIM	0.30t	1	1	1		
	A1402050	SHIM	0.40t	1	1	1		

FRONT AXLE CASE(RH)

FIG. 5-2B

G. 400



FRONT AXLE CASE(RH)

A-LT280D, B-LT300D, C-LT360D

A-LT280D, B-LT300D, C-LT360D

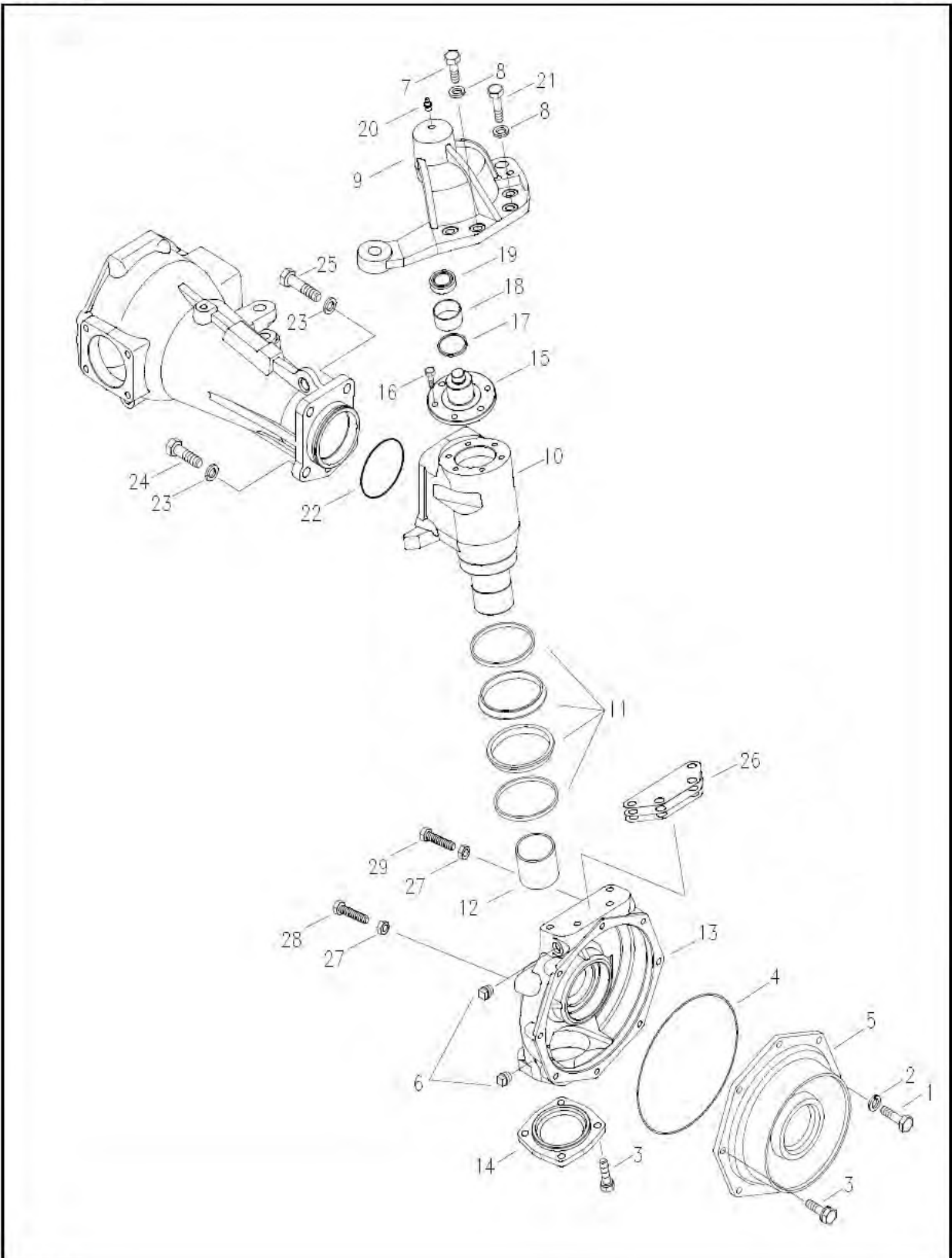
FIG. 5-2B

NO.	PART NO.	PART NAME & DESCRIPTION		QTY			APP. NO	REM.
				A	B	C		
1	3A1970055	BOLT, REAMER	M10x1.25	1	1	1		
2	S361100013	WASHER, SPRING	Φ18.4x10.2x2.5t	1	1	1		
3	S154103033	BOLT, HEX . W / WASHER	M10x1.25x30	11	11	11		
4	A1402067	COVER, GEAR CASE		1	1	1		
5	3A1970056	O-RING	D231x3	1	1	1		
6	3A1970052	PLUG, TAPER	PT 3/8	2	2	2		
7	S101123043	BOLT, HEX	M12x1.75x30	2	2	2		
8	S361120013	WASHER, SPRING	Φ21.5xΦ12.2x3t	4	4	4		
9	A1400289	ARM(RH)		1	1	1		
10	A1400293	CASE, KINGPIN		1	1	1		
11	A1400168	GROUP SEAL		1	1	1		
12	A1400077	BUSHING, DU	MB6030DU	1	1	1		
13	A1400292	CASE, GEAR(RH)		1	1	1		
14	A1400288	COVER, W/BRG CASE		1	1	1		
15	A1400286	HOLDER, ARM		1	1	1		
16	S153082533	BOLT, HEX. W/WASHER	M8x1.25x25	6	6	6		
17	A0652582	SEAL, DUST	Φ40xΦ48x6.5t	1	1	1		
18	A0678120	BUSHING	MB4020DU	1	1	1		
19	A1400076	BEARING, T/ROLLER	#32004XJ	1	1	1		
20	3A1970069	NIPPLE, GREASE	PT 1/8	1	1	1		
21	3A1970057	BOLT, REAMER	M12X1.75X35	2	2	2		
22	S802090010	O-RING	D89.4x3.1	1	1	1		
23	S361140013	WASHER, SPRING	Φ24.5xΦ14.2x3.5t	5	5	5		
24	S101144043	BOLT, HEX	M14x2x40	4	4	4		
25	A1970307	BOLT, REAMER	M14x2x50	1	1	1		
26	A1402048	SHIM	0.15t	1	1	1		
	A1402049	SHIM	0.30t	1	1	1		
	A1402050	SHIM	0.40t	1	1	1		
27	3A1970051	PLUG, TAPER	PT 1/2	1	1	1		

FRONT AXLE CASE(LH)

FIG. 5-2C

G. 400



FRONT AXLE CASE(LH)

A-LT280D, B-LT300D, C-LT360D

A-LT280D, B-LT300D, C-LT360D

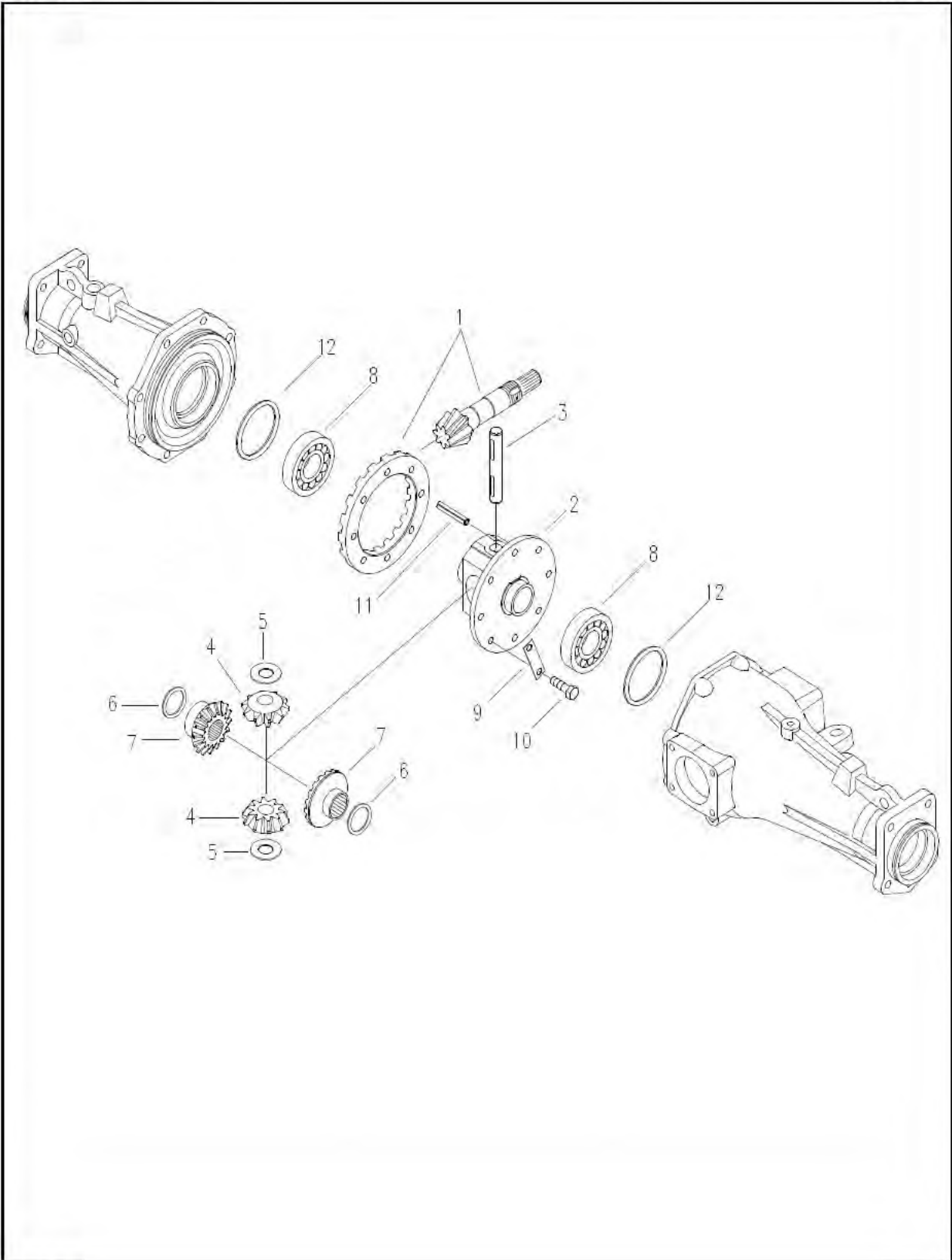
FIG. 5-2C

NO.	PART NO.	PART NAME & DESCRIPTION		QTY			APP. NO	REM.
				A	B	C		
1	3A1970055	BOLT, REAMER	M10x1.25	1	1	1		
2	S361100013	WASHER, SPRING	Φ18.4x10.2x2.5t	1	1	1		
3	S154103033	BOLT, HEX . W / WASHER	M10x1.25x30	11	11	11		
4	A1402067	COVER, GEAR CASE		1	1	1		
5	3A1970056	O-RING	D231x3	1	1	1		
6	3A1970052	PLUG, TAPER	PT 3/8	2	2	2		
7	S101123043	BOLT, HEX	M12x1.75x30	2	2	2		
8	S361120013	WASHER, SPRING	Φ21.5xΦ12.2x3t	4	4	4		
9	A1400290	ARM(LH)		1	1	1		
10	A1400293	CASE, KINGPIN		1	1	1		
11	A1400168	GROUP SEAL		1	1	1		
12	A1400077	BUSHING, DU	MB6030DU	1	1	1		
13	A1400291	CASE, GEAR(LH)		1	1	1		
14	A1400288	COVER, W/BRG CASE		1	1	1		
15	A1400286	HOLDER, ARM		1	1	1		
16	S153082533	BOLT, HEX. W/WASHER	M8x1.25x25	6	6	6		
17	A0652582	SEAL, DUST	Φ40xΦ48x6.5t	1	1	1		
18	A0678120	BUSHING	MB4020DU	1	1	1		
19	A1400076	BEARING, T/ROLLER	#32004XJ	1	1	1		
20	3A1970069	NIPPLE, GREASE	PT 1/8	1	1	1		
21	3A1970057	BOLT, REAMER	M12X1.75X35	2	2	2		
22	S802090010	O-RING	D89.4x3.1	1	1	1		
23	S361140013	WASHER, SPRING	Φ24.5xΦ14.2x3.5t	5	5	5		
24	S101144043	BOLT, HEX	M14x2x40	4	4	4		
25	A1970307	BOLT, REAMER	M14x2x50	1	1	1		
26	A1402048	SHIM	0.15t	1	1	1		
	A1402049	SHIM	0.30t	1	1	1		
	A1402050	SHIM	0.40t	1	1	1		
27	S301120043	NUT, HEX .1-TY	M12x1.75	2	2	2		
28	S101125543	BOLT, HEX	M12x1.75x55	1	1	1		
29	S163123543	BOLT, HEX . F-THRD	M12x1.75x35	1	1	1		

FRONT DIFFERENTIAL

FIG. 5-3

G. 400



FRONT DIFFERENTIAL

A-LT280D, B-LT300D, C-LT360D

A-LT280D, B-LT300D, C-LT360D

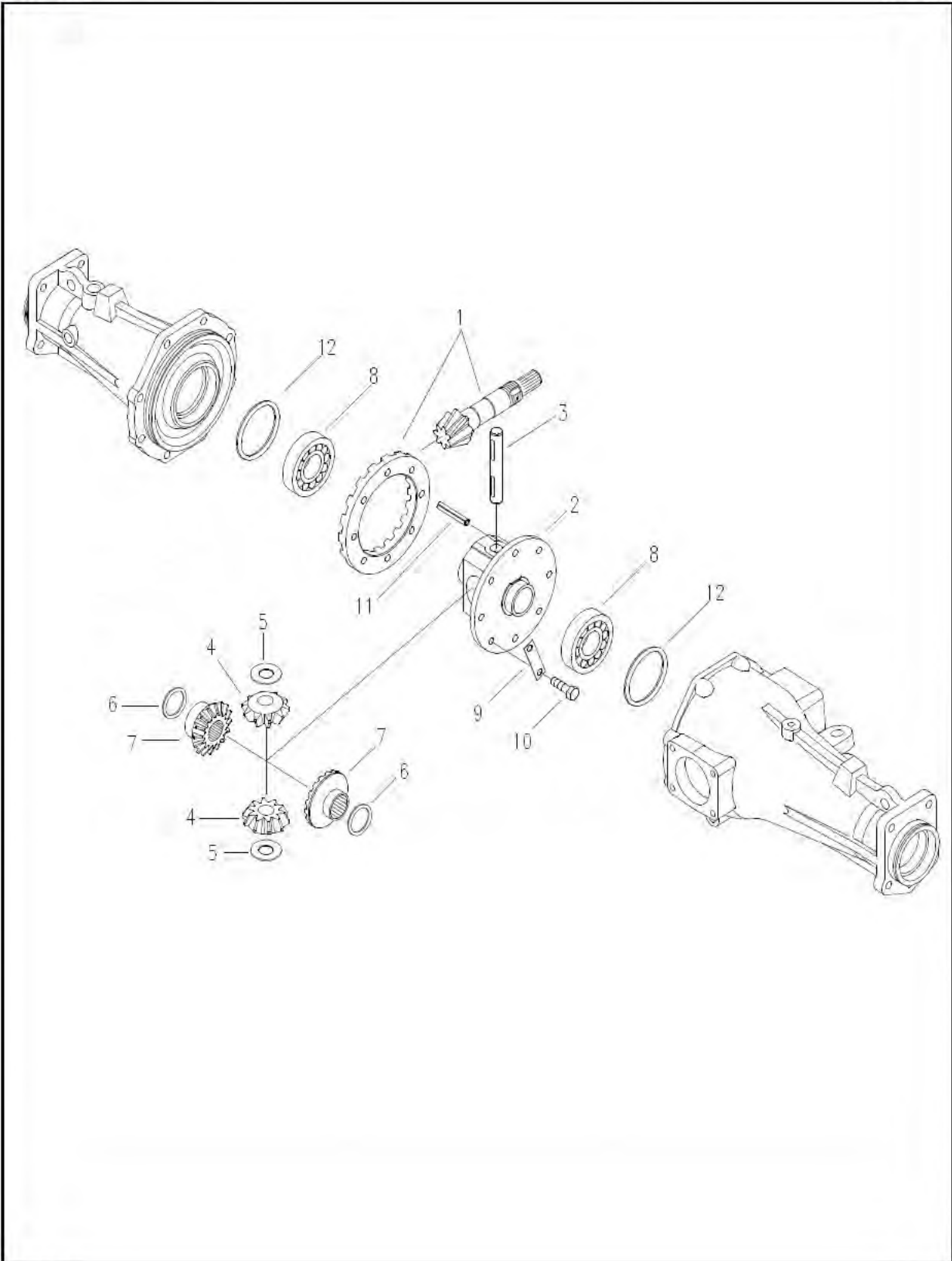
FIG. 5-3

NO.	PART NO.	PART NAME & DESCRIPTION		QTY			APP. NO	REM.
				A	B	C		
1~11	2A1415001	DIFF, GEAR ASSY		1	1	1		
1	A1400172	PINION & RING GEAR SET	6t/37t	1	1	1		
2	1A1414001	CASE, DIFF		1	1	1		
3	3A1415004	SHAFT		1	1	1		
4	A1324060	PINION, MATE	10t	2	2	2		
5	3A1970123	WASHER, THRUST	0.8t	2	2	2		
6	3A1970122	WASHER, THRUST	0.8t	2	2	2		
7	A1324062	GEAR, SIDE	16t	2	2	2		
8	A0862100	BEARING, BALL	#6210 (OD90×ID50×20)	2	2	2		
9	A1410041	PLATE, LOCK		4	4	4		
10	A1410039	BOLT, HEX.	M10×1.25×20	8	8	8		
11	S446065012	PIN, SPRING	Φ6×50	1	1	1		
12	3A1970119	LINER	0.07t	AR	AR	AR		
	3A1970120	LINER	0.2t	AR	AR	AR		
	3A1970121	LINER	1.0t	AR	AR	AR		

FRONT DIFFERENTIAL

FIG. 5-3

G. 400



FRONT DIFFERENTIAL

A-LT280D, B-LT300D, C-LT360D

A-LT280D, B-LT300D, C-LT360D

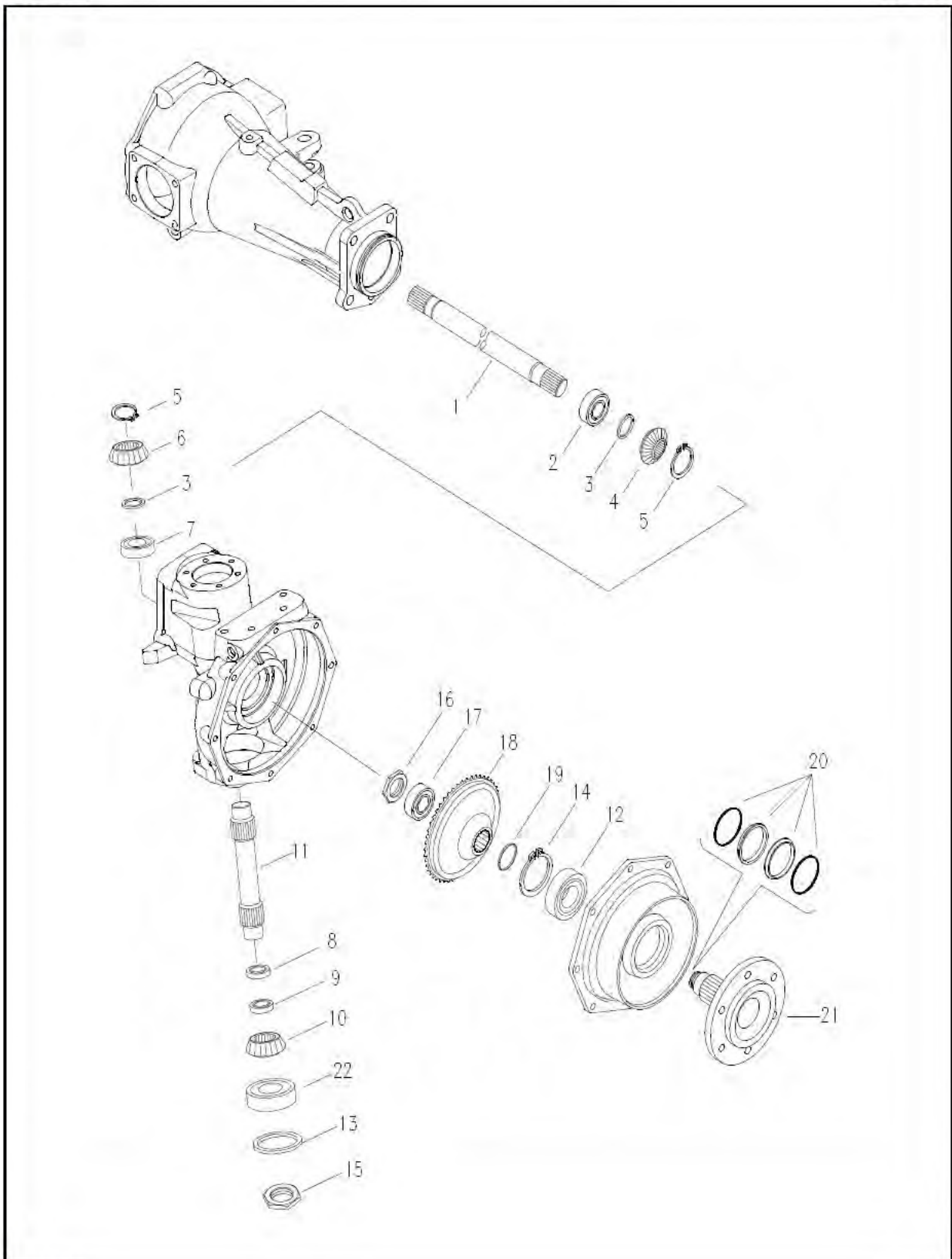
FIG. 5-3

NO.	PART NO.	PART NAME & DESCRIPTION		QTY			APP. NO	REM.
				A	B	C		
1~11	2A1415001	DIFF, GEAR ASSY		1	1	1		
1	A1400172	PINION & RING GEAR SET	6t/37t	1	1	1		
2	1A1414001	CASE, DIFF		1	1	1		
3	3A1415004	SHAFT		1	1	1		
4	A1324060	PINION, MATE	10t	2	2	2		
5	3A1970123	WASHER, THRUST	0.8t	2	2	2		
6	3A1970122	WASHER, THRUST	0.8t	2	2	2		
7	A1324062	GEAR, SIDE	16t	2	2	2		
8	A0862100	BEARING, BALL	#6210 (OD90×ID50×20)	2	2	2		
9	3A1411003	PLATE, LOCK		4	4	4		
10	A1410039	BOLT, HEX.	M10×1.25×20	8	8	8		
11	S446065012	PIN, SPRING	Φ6×50	1	1	1		
12	3A1970119	LINER	0.07t	AR	AR	AR		
	3A1970120	LINER	0.2t	AR	AR	AR		
	3A1970121	LINER	1.0t	AR	AR	AR		

FRONT DRIVE

FIG. 5-4

G. 400



FRONT DRIVE

A-LT280D, B-LT300D, C-LT360D

A-LT280D, B-LT300D, C-LT360D

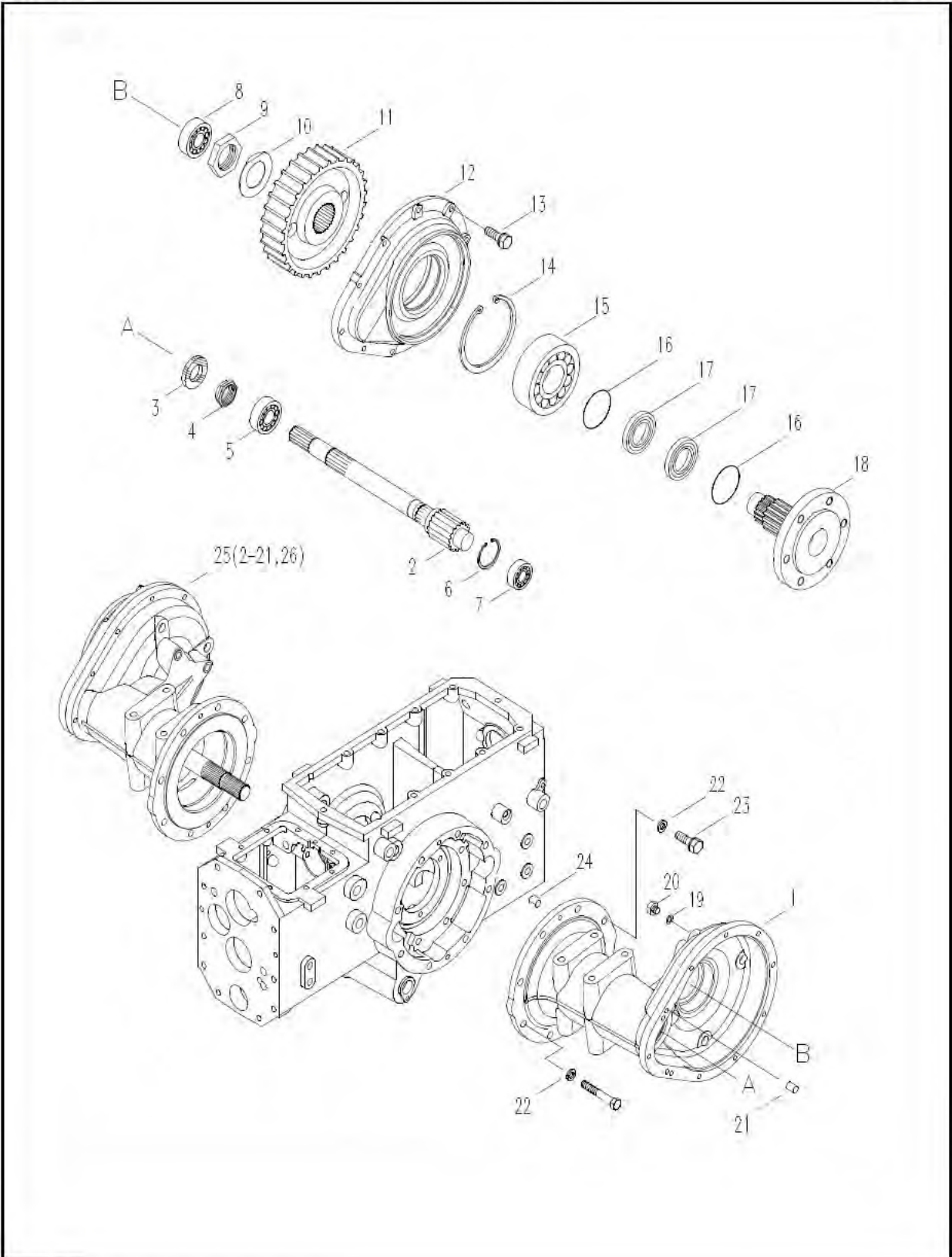
FIG. 5-4

NO.	PART NO.	PART NAME & DESCRIPTION		QTY			APP. NO	REM.
				A	B	C		
1	A1400120	SHAFT, F/DIFF		2	2	2		
2	A0863070	BEARING, BALL	#6307 (OD80×ID35×21)	2	2	2		
3	A0870108	LINER	0.15t	AR	AR	AR		
	A0870109	LINER	0.4t	AR	AR	AR		
	A0870110	LINER	0.5t	AR	AR	AR		
4	A1400121	GEAR	14t	2	2	2		
5	S810030001	RING, SNAP		4	4	4		
6	A1400153	GEAR	15t	2	2	2		
7	A1400093	BEARING, TAPER	#32206C (OD62×ID30×21.25)	2	2	2		
8	3A1970034	BEARING, THRUST	NSK51107 (OD52×ID35×12)	2	2	2		
9	A1400127	SPACER		2	2	2		
10	A1400124	GEAR	14t	2	2	2		
11	A1400123	SHAFT, KINGPIN		2	2	2		
12	A0862100	BEARING, BALL	#6210 (OD90×ID50×20)	2	2	2		
13	3A1970119	LINER	0.07t	AR	AR	AR		
	3A1970120	LINER	0.2t	AR	AR	AR		
14	S811090001	RING, SNAP	#30210	2	2	2		
15	A1281034	NUT, LOCK	M25×1.5	2	2	2		
16	A1402047	NUT, LOCK	M30×1.5	2	2	2		
17	A0863080	BEARING, BALL	#6308 (OD90×ID40×23)	2	2	2		
18	A1402044	GEAR	38t	2	2	2		
19	3A1970112	LINER	0.4t	4	4	4		
	3A1970113	LINER	0.6t	AR	AR	AR		
	3A1970114	LINER	0.8t	AR	AR	AR		
	3A1970115	LINER	1.0t	AR	AR	AR		
20	A1400168	GROUP SEAL		2	2	2		
21	A1402068	SHAFT, AXLE		2	2	2		
22	A26799980	BEARING, T/ROLLER	#30210	2	2	2		

REAR AXLE(480,481)

FIG. 5-5

G. 400



REAR AXLE(480,481)

A-LT280D, B-LT300D, C-LT360D

A-LT280D, B-LT300D, C-LT360D

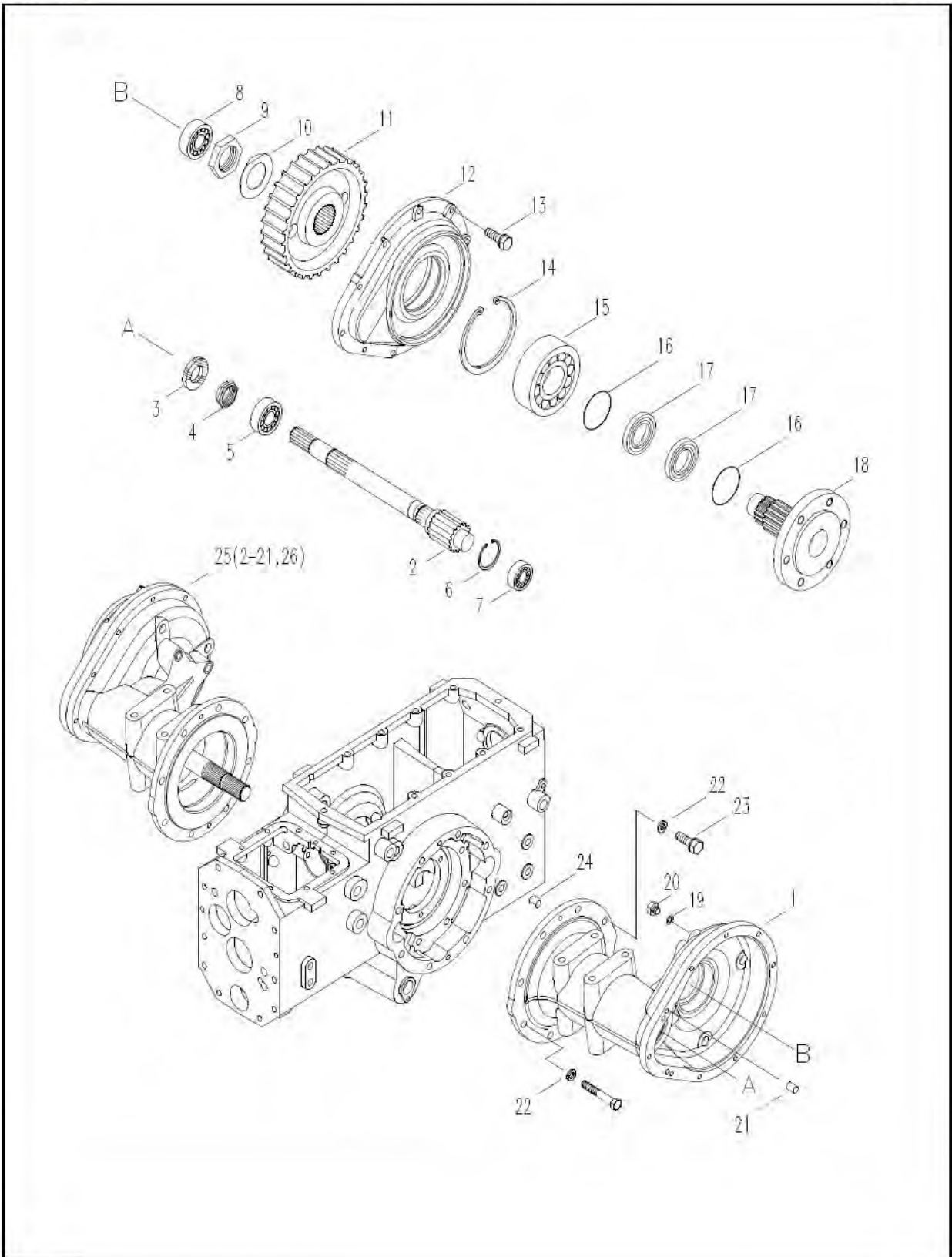
FIG. 5-5

NO.	PART NO.	PART NAME & DESCRIPTION	QTY			APP. NO	REM.
			A	B	C		
1-21	A1480068	F/DRIVE ASSY(LH)	1	1	1		
1	A1480070	CASE, FINAL DRIVE(LH)	1	1	1		
2	A1481037	PINION, FINAL DRIVE	2	2	2		
3	A1480102	SEAL, OIL	2	2	2		
4	A1481040	NUT, LOCK	2	2	2		
		TB38x55x8					
		M40x1.0					
5	A0863080	BEARING, BALL	2	2	2		
6	S811090001	RING, SNAP	2	2	2		
7	A0863070	BEARING, BALL	2	2	2		
8	A0863090	BEARING, BALL	2	2	2		
9	A1481041	NUT, LOCK	2	2	2		
		#6308(OD90xID40x23)					
		D95.5x3t					
		#6307(OD80xID35x21)					
		#6309(OD100xID45x29)					
		M55x1.5					
10	A1481042	PLATE, LOCK	2	2	2		
11	A1481038	GEAR, F/DRIVE 71T	2	2	2		
12	A1480067	COVER, F/DRIVE	2	2	2		
13	S154104033	BOLT, HEX	20	20	20		
14	S811140001	RING, SNAP	2	2	2		
		OD96xID56x1.5t					
		71T					
		M10x1.25					
		D14.7x4t					
15	A0863130	BEARING, BALL	2	2	2		
16	A1480058	O-RING	4	4	4		
17	A1480057	RETAINER	4	4	4		
18	A1481039	SHAFT, REAR AXLE	2	2	2		
19	A10263360	SEAL, OIL	6	6	6		
		#6313(OD140xID65x33)					
		D117xW7					
		OD20xID26x1.5t					
20	A0610281	PLUG, DRAIN	6	6	6		
21	S421102010	PIN, DOWEL	4	4	4		
22	S361140013	WASHER, SPRING	16	16	16		
23	S101144043	BOLT, HEX	10	10	10		
24	S423102010	PIN, DOWEL	4	4	4		
		M20x1.5					
		D15x20					
		OD24.5xID14.2x3.5t					
		M14x2.0					
		D10x20					
25	A1480069	F/DRV ASSY(RH)	1	1	1		
26	A1480071	CASE, FINAL DRV(RH)	1	1	1		

REAR AXLE(480,481)

FIG. 5-5

G. 400



REAR AXLE(480,481)

A-LT280D, B-LT300D, C-LT360D

A-LT280D, B-LT300D, C-LT360D

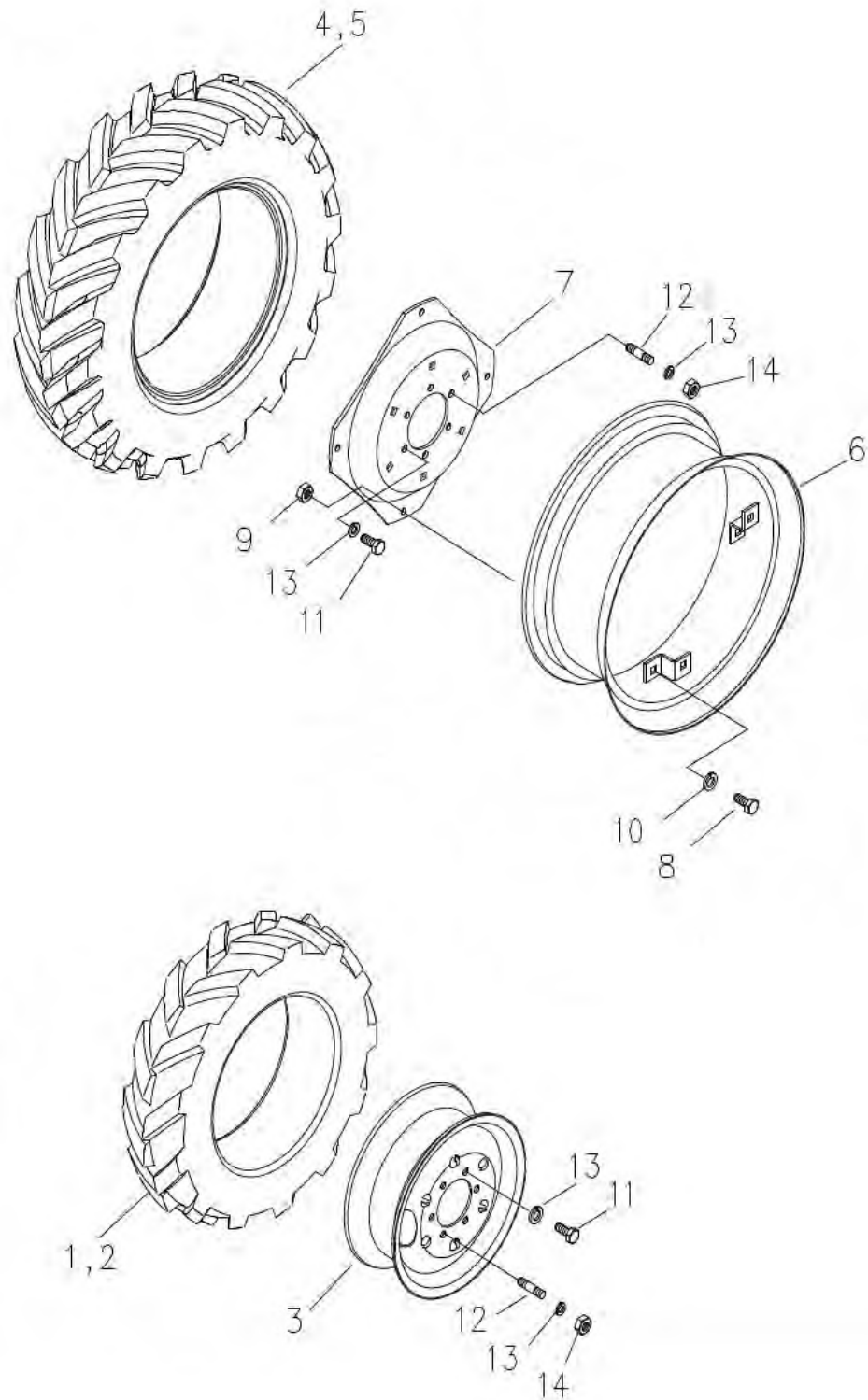
FIG. 5-5

NO.	PART NO.	PART NAME & DESCRIPTION	QTY			APP. NO	REM.
			A	B	C		
1-21	A1480068	F/DRIVE ASSY(LH)	1	1	1		
1	A1480070	CASE, FINAL DRIVE(LH)	1	1	1		
2	A1481037	PINION, FINAL DRIVE	2	2	2		
3	A1480050	SEAL, OIL	2	2	2		
4	A1481040	NUT, LOCK	2	2	2		
		TB38x55x8					
		M40x1.0					
5	A0863080	BEARING, BALL	2	2	2		
		#6308(OD90xID40x23)					
6	S811090001	RING, SNAP	2	2	2		
		D95.5x3t					
7	A0863070	BEARING, BALL	2	2	2		
		#6307(OD80xID35x21)					
8	A0863090	BEARING, BALL	2	2	2		
		#6309(OD100xID45x29)					
9	A1481041	NUT, LOCK	2	2	2		
		M55x1.5					
10	A1481042	PLATE, LOCK	2	2	2		
		OD96xID56x1.5t					
11	A1481038	GEAR, F/DRIVE 71T	2	2	2		
		71T					
12	A1480067	COVER, F/DRIVE	2	2	2		
13	S154104033	BOLT, HEX	20	20	20		
		M10x1.25					
14	S811140001	RING, SNAP	2	2	2		
		D14.7x4t					
15	A0863130	BEARING, BALL	2	2	2		
		#6313(OD140xID65x33)					
16	A1480058	O-RING	4	4	4		
		D117xW7					
17	A1480057	RETAINER	4	4	4		
18	A1481039	SHAFT, REAR AXLE	2	2	2		
19	A10263360	SEAL, OIL	6	6	6		
		OD20xID26x1.5t					
20	A0610281	PLUG, DRAIN	6	6	6		
		M20x1.5					
21	S421102010	PIN, DOWEL	4	4	4		
		D15x20					
22	S361140013	WASHER, SPRING	16	16	16		
		OD24.5xID14.2x3.5t					
23	S101144043	BOLT, HEX	10	10	10		
		M14x2.0					
24	S423102010	PIN, DOWEL	4	4	4		
		D10x20					
25	A1480069	F/DRV ASSY(RH)	1	1	1		
26	A1480071	CASE, FINAL DRV(RH)	1	1	1		

FRONT & REAR WHEEL (490)

FIG. 5-6

G. 490



FRONT & REAR WHEEL (490)

A-LT280D, B-LT300D, C-LT360D

A-LT280D, B-LT300D, C-LT360D

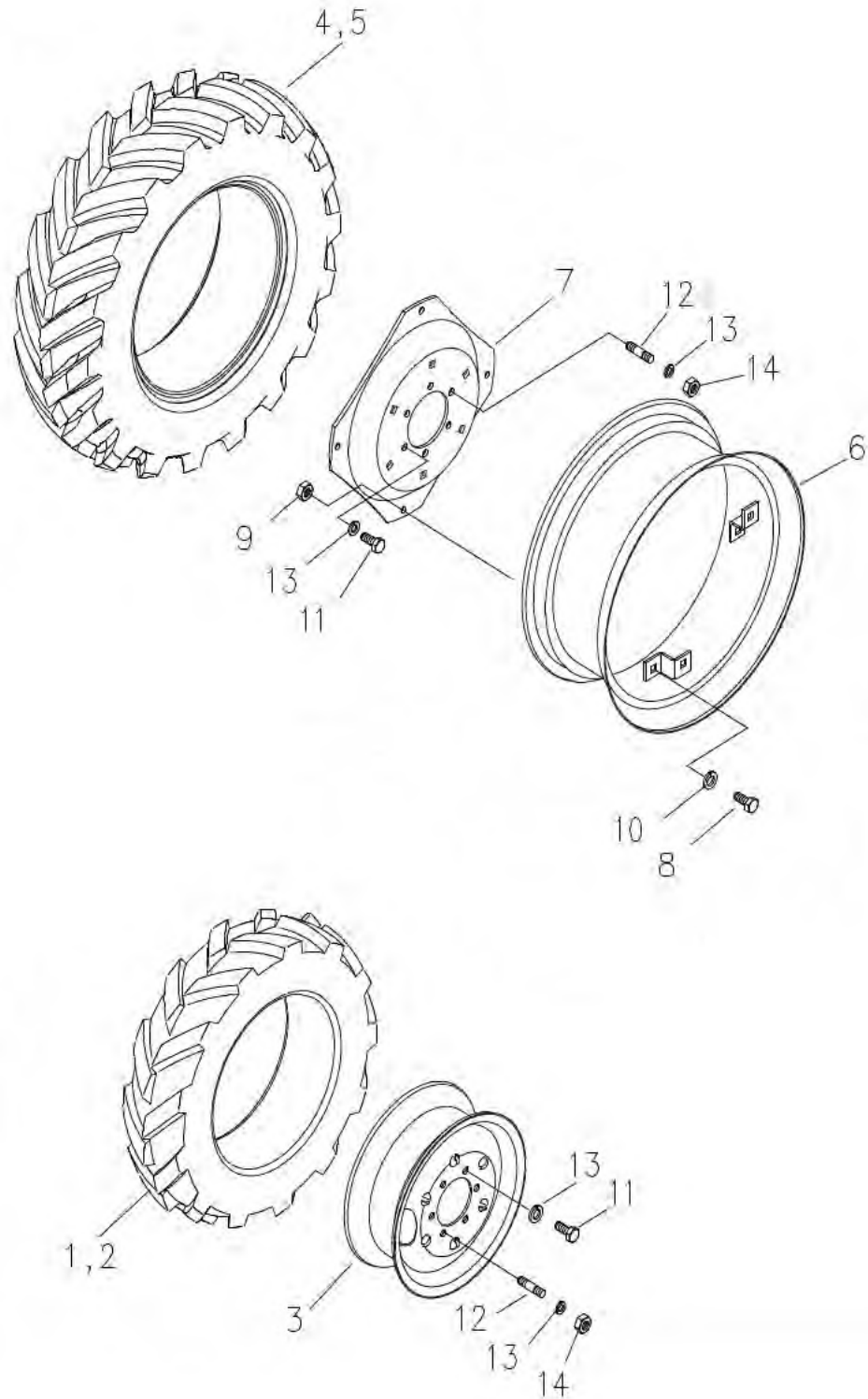
FIG. 5-6

NO.	PART NO.	PART NAME & DESCRIPTION	QTY			APP. NO	REM.	
			A	B	C			
1~2	A1490053	FRONT TIRE ASSY	7-16(4PR)	*	2	*		
	A1490026	FRONT TIRE ASSY	8-16(4PR)	2	*	2		
1	A1490036	TUBE FRONT		*	1	*		
	A01494003	TUBE FRONT		1	*	1		
2	A1494069	TIRE FRONT		*	1	*		
	A01494002	TIRE FRONT		1	*	1		
3	A1490207	FRONT RIM ASSY		2	2	2		
4~5	A1494055	REAR TIRE ASSY	11.2-24(6PR)	*	2	*		
	A1490027	REAR TIRE ASSY	12.4-24(6PR)	2	*	2		
4	A1494044	TUBE REAR		*	1	*		
	A00010525	TUBE REAR		1	*	1		
5	A1494043	TIRE REAR		*	1	*		
	A00010524	TIRE REAR		1	*	1		
6~10	A1490022	REAR RIM ASSY		2	2	2		
6	A1490023	RIM REAR		1	1	1		
7	A1490024	DISK REAR		1	1	1		
8	A1970077	BOLT, HEX		4	4	4		
9	S306160013	NUT, HEX		4	4	4		
10	S361160013	WASHER, SPR.		4	4	4		
11	S103163043	BOLT, HEX	M16x1.5x30L	16	16	16		
12	S167162523	BOLT, STUD	M16x1.5x25L	8	8	8		
13	S361160013	WASHER, SPR.	D28/16.2x4T	24	24	24		
14	S302160043	NUT, HEX	M16x1.5	8	8	8		

FRONT & REAR WHEEL (490)

FIG. 5-6

G. 490



FRONT & REAR WHEEL (490)

A-LT280D, B-LT300D, C-LT360D

A-LT280D, B-LT300D, C-LT360D

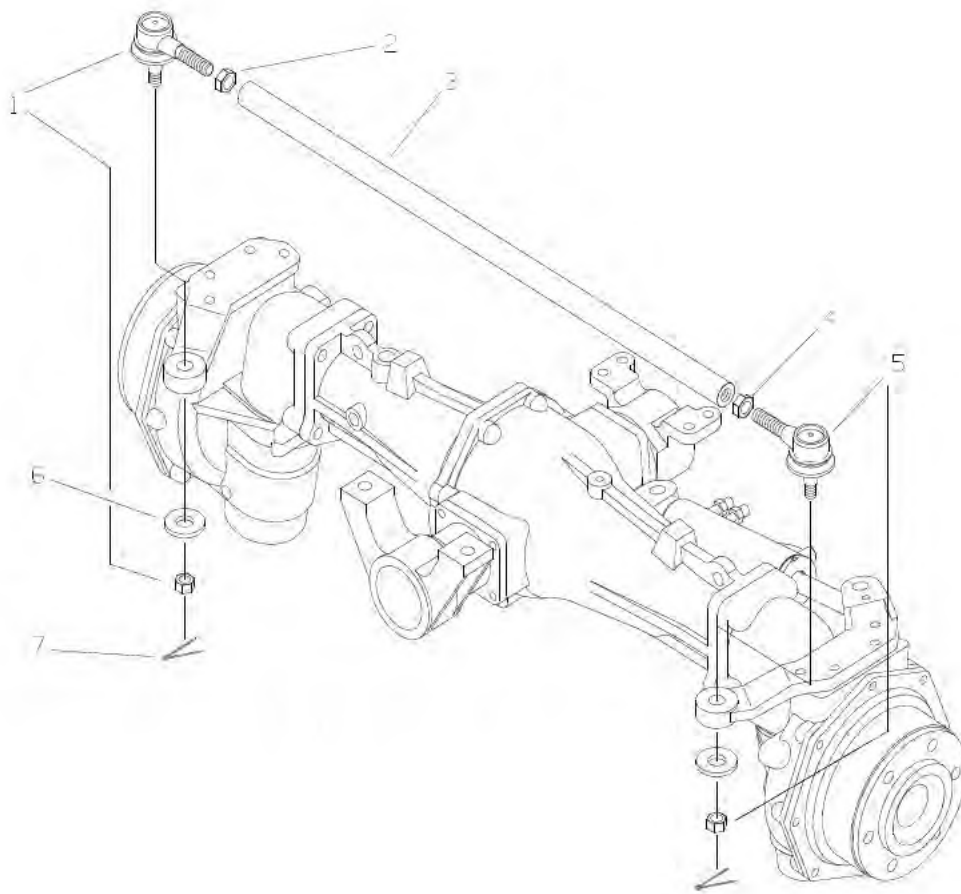
FIG. 5-6

NO.	PART NO.	PART NAME & DESCRIPTION		QTY			APP. NO	REM.
				A	B	C		
1-2	A1490026	FRONT TIRE ASSY	8-16(4PR)	2		2		
1	A01494003	TUBE FRONT		1		1		
2	A01494002	TIRE TRONT		1		1		
3	A1490019	FRONT RIM ASSY		2		2		
4-5	A1490068	REAR TIRE ASSY	12.4-24 (6PR)	2		2		
4	A00010525	TUBE REAR		1		1		
5	A1494065	TIRE REAR		1		1		
6-10	A1490022	REAR RIM ASSY		2		2		
6	A1490023	RIM REAR		1		1		
7	A1490024	DISK REAR		1		1		
8	A1970077	BOLT, HEX		4		4		
9	S306160013	NUT, HEX		4		4		
10	S361160013	WASHER, SPR.		4		4		
11	S103163043	BOLT, HEX	M16x1.5x30L	16		16		
12	S167162523	BOLT, STUD	M16x1.5x25L	8		8		
13	S361160013	WASHER, SPR.	D28/16.2x4T	24		24		
14	S302160043	NUT, HEX	M16x1.5	8		8		

TIE ROD

FIG. 6-1

G. 610



TIE ROD

A-LT280D, B-LT300D, C-LT360D

A-LT280D, B-LT300D, C-LT360D

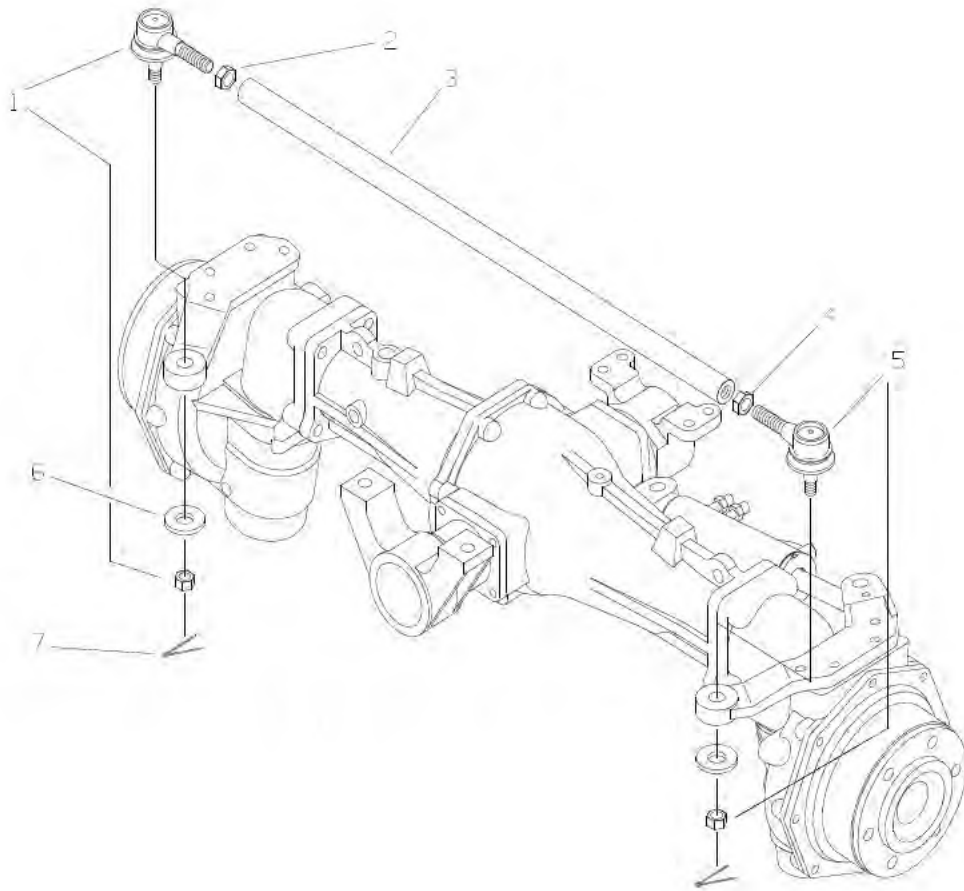
FIG. 6-1

NO.	PART NO.	PART NAME & DESCRIPTION		QTY			APP. NO	REM.
				A	B	C		
1~5	A1610031	TIE ROD ASSY	930L	1	1	1		
1	A1610036	END ASSY(RH)		1	1	1		
2	S306180043	NUT, HEX(RH)	M18×1.5	1	1	1		
3	A1610034	PIPE, TIEROD	784L	1	1	1		
4	A1610023	NUT, HEX(LH)	M18×1.5	1	1	1		
5	A1610035	END ASSY(LH)		1	1	1		
6	S365164013	WASHER, PLAIN	3t	2	2	2		
7	S441403613	PIN, SPLIT	Φ4×36	2	2	2		

TIE ROD

FIG. 6-1

G. 610



TIE ROD

A-LT280D, B-LT300D, C-LT360D

A-LT280D, B-LT300D, C-LT360D

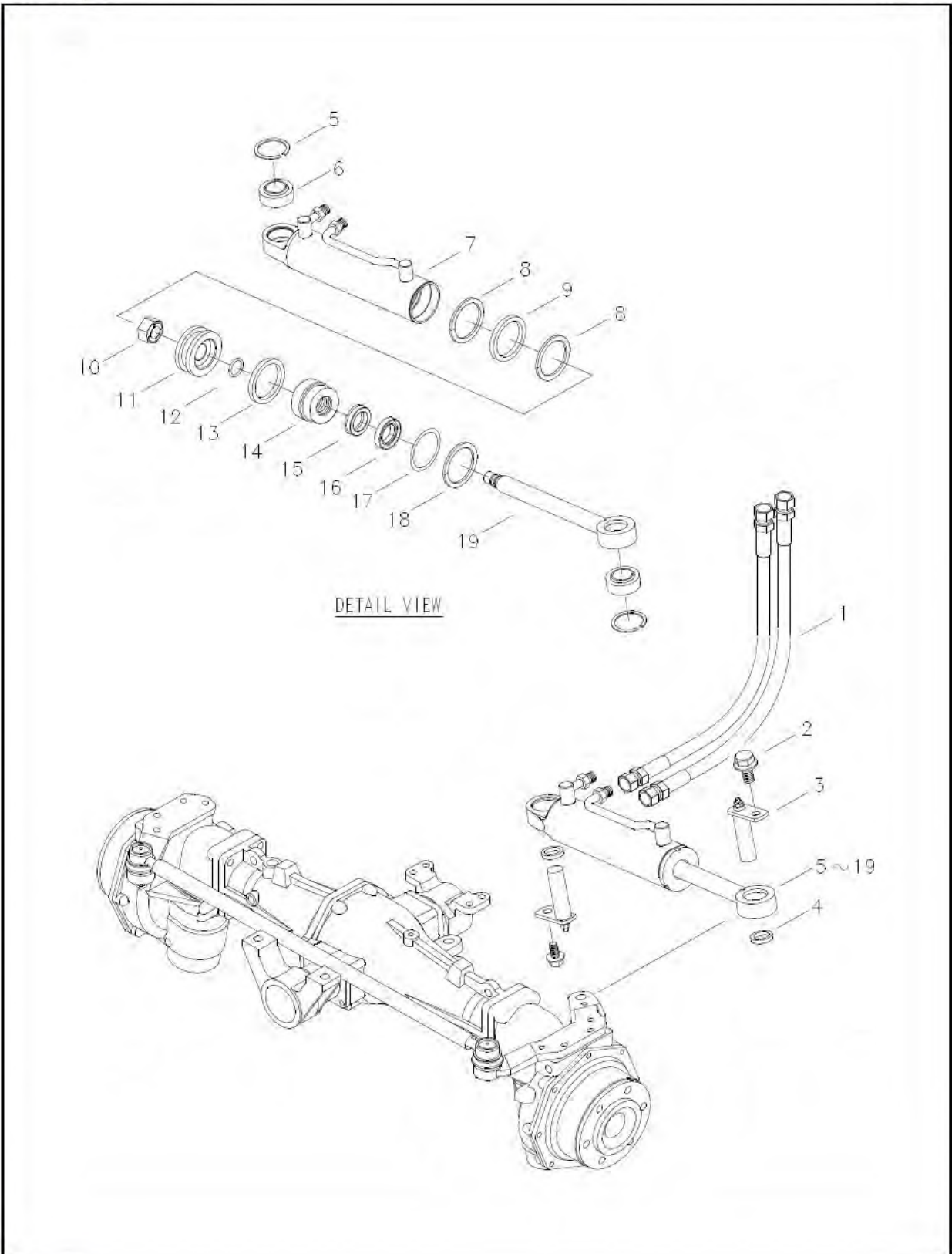
FIG. 6-1

NO.	PART NO.	PART NAME & DESCRIPTION		QTY			APP. NO	REM.
				A	B	C		
1~5	A1610031	TIE ROD ASSY	930L	1	1	1		
1	A1610036	END ASSY(R)		1	1	1		
2	S306180043	NUT, HEX(R)	M18×1.5	1	1	1		
3	A1610034	PIPE, TIEROD	784L	1	1	1		
4	A1610016	NUT, HEX(LH)	M18×1.5	1	1	1		
5	A1610035	END ASSY(LH)		1	1	1		
6	A1402060	WASHER, PLAIN	3t	2	2	2		
7	S441403613	PIN, SPLIT	Φ4×36	2	2	2		

STEERING CYLINDER

FIG. 6-2A

G. 630



STEERING CYLINDER

A-LT280D, B-LT300D, C-LT360D

A-LT280D, B-LT300D, C-LT360D

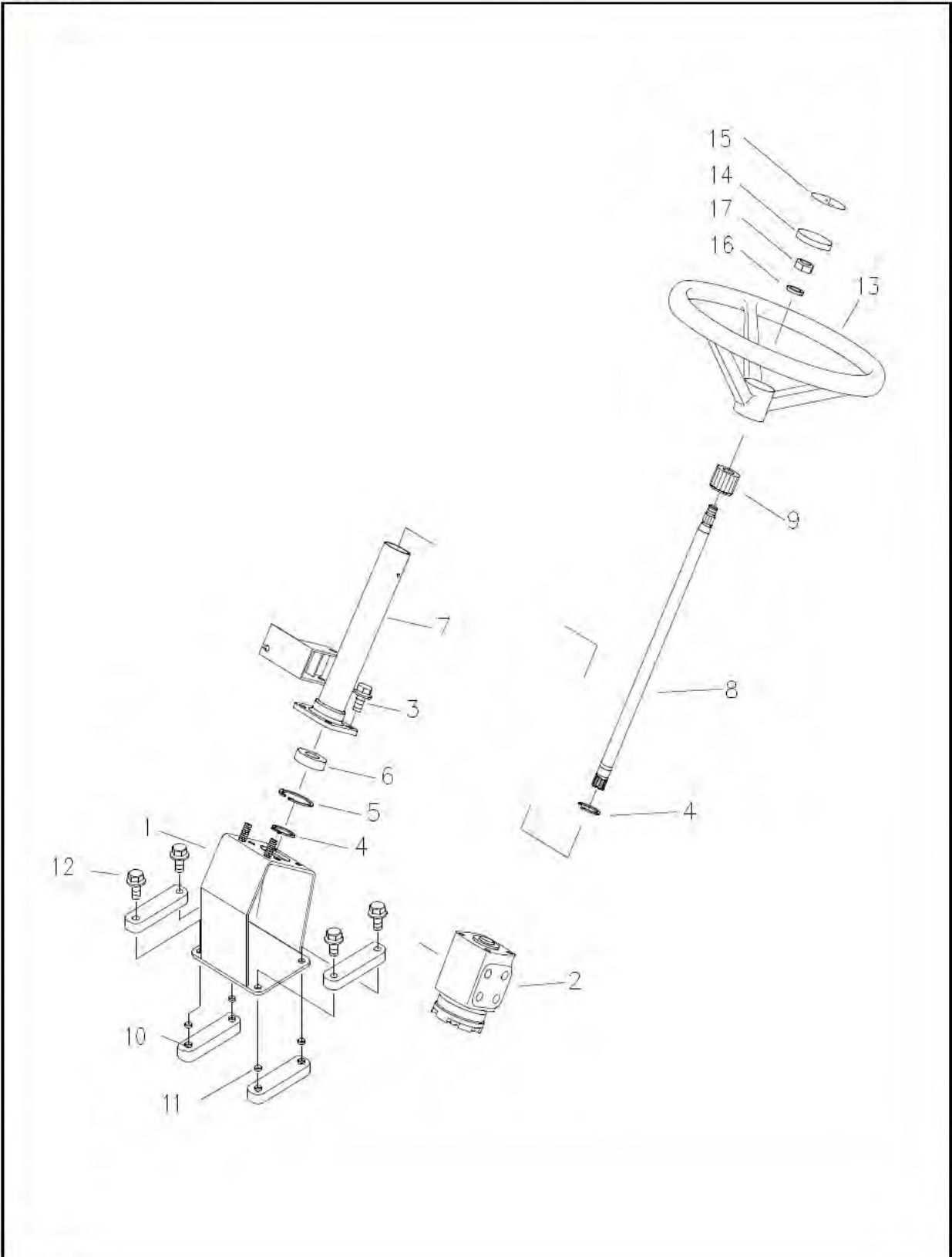
FIG. 6-2A EU, R, AG, VA, PT, JP, MY, DO

NO.	PART NO.	PART NAME & DESCRIPTION		QTY			APP. NO	REM.
				A	B	C		
1	A1630245	HOSE, STR CYLINDER	410L	2	2	2		
2	S154102033	BOLT, HEX	M10×1.25×20	2	2	2		
3	A1630327	PIN, CYLINDER		2	2	2		
4	A1630135	SPACER	D20×5t	2	2	2		
5~19	A1630293	CYLINDER ASSY	293-446	1	1	1		
5	S813035001	RING, SNAP	D35	2	2	2		
6	A1630159	BUSHING, BALL		2	2	2		
7	A1630319	CYLINDER ASSY		1	1	1		
8	A1630161	RING, BACKUP	D50	2	2	2		
9	A1630162	O-RING	D43.7×3.5	1	1	1		
10	A1630160	NUT, LOCK	M16×2	1	1	1		
11	A1630321	PISTON	D50	1	1	1		
12	S801014010	O-RING	D13.8×2.4	1	1	1		
13	S801046010	O-RING	D45.7×3.5	1	1	1		
14	A1630322	SLEEVE		1	1	1		
15	A1630163	U-PACKING	D22.4	1	1	1		
16	A1630164	SEAL, DUST	D22.4	1	1	1		
17	A1630323	RING, WIRE	D2	1	1	1		
18	A1630324	RING, STOP		1	1	1		
19	A1630320	ROD, PISTON	D22.4	1	1	1		

STEERING COLUMN

FIG. 6-3

G. 630



STEERING COLUMN

A-LT280D,B-LT300D,C-360D

A-LT280D,B-LT300D,C-360D

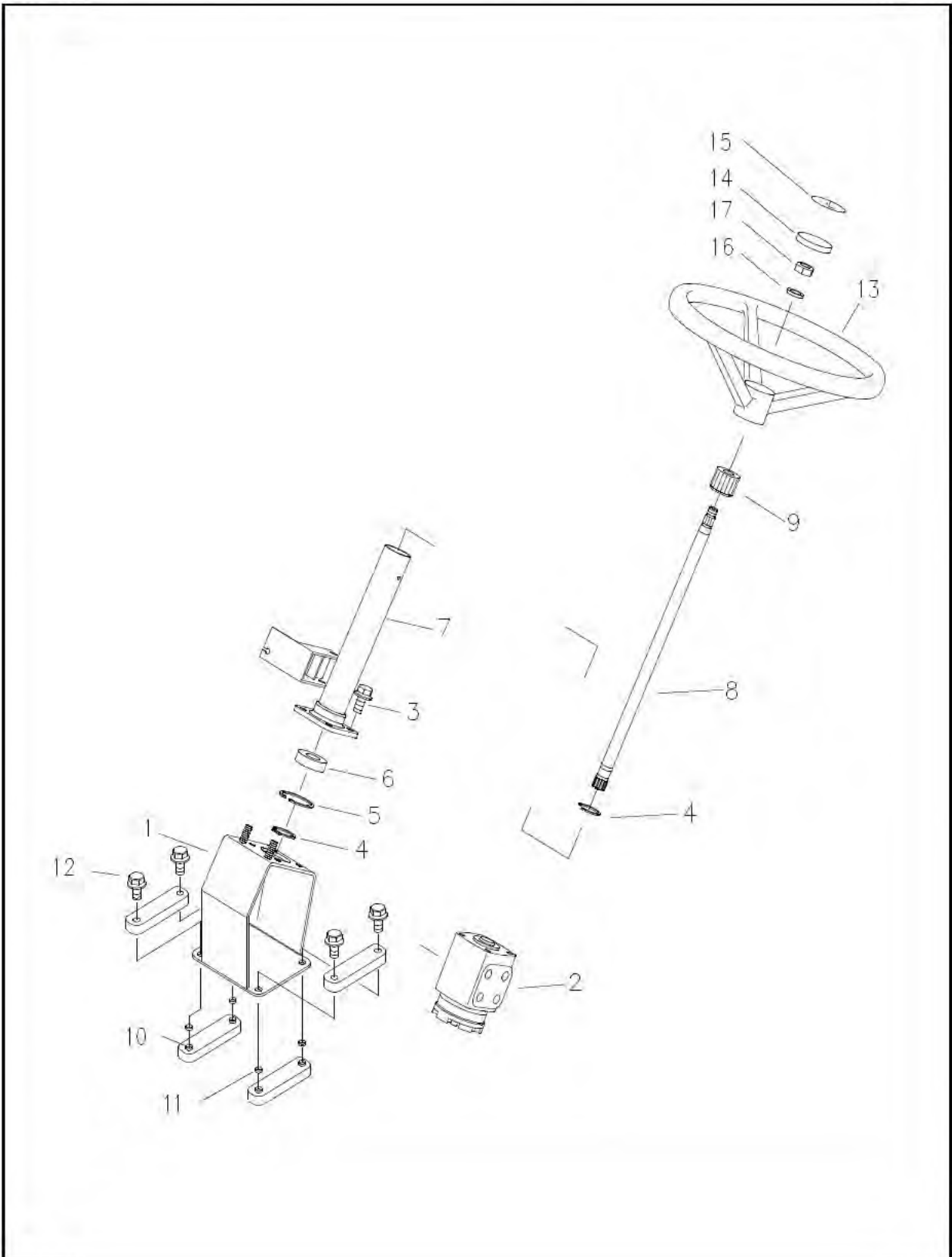
FIG. 6-3

NO.	PART NO.	PART NAME & DESCRIPTION		QTY			APP. NO	REM.
				A	B	C		
1	A1630283	SUPPORT, STEERING		1	1	1		
2	A1630222	STEERING UNIT	80cc/rev	1	1	1		
3	S154102533	BOLT, HEX	M10×1.25×25	4	4	4		
4~9	A1630230	STEERING COLUMN ASSY		1	1	1		
4	S810020001	RING, SNAP	Φ20	2	2	2		
5	S811042001	RING, SNAP(C)H	Φ42	1	1	1		
6	A1970233	BEARING	6004DD (OD42×ID20×12)	1	1	1		
7	A1630231	COLUMN , STEERING		1	1	1		
8	A1630232	SHAFT , STEERING	Φ20	1	1	1		
9	A1630153	SEAL , STEERING		1	1	1		
10	A1630281	RUBBER, DAMPING	8t	4	4	4		
11	A1630282	COLLAR, STEERING		4	4	4		
12	S156103033	BOLT, HEX . W/WASHER	M10×1.25×30	4	4	4		
13~15	A5002130	STR. WHEEL ASSY		1	1	1		
13	A5001458	WHEEL, STEERING		1	1	1		
14	A5000583	CAP, WHEEL		1	1	1		
15	A1981077	DECAL, LS MARK		1	1	1		
16	S361140013	WASHER, SPR	Φ14.2×3.5	1	1	1		
17	S314140013	NUT, HEX	M14×1.5	1	1	1		

STEERING COLUMN

FIG. 6-3

G. 630



STEERING COLUMN

A-LT280D,B-LT300D,C-360D

A-LT280D,B-LT300D,C-360D

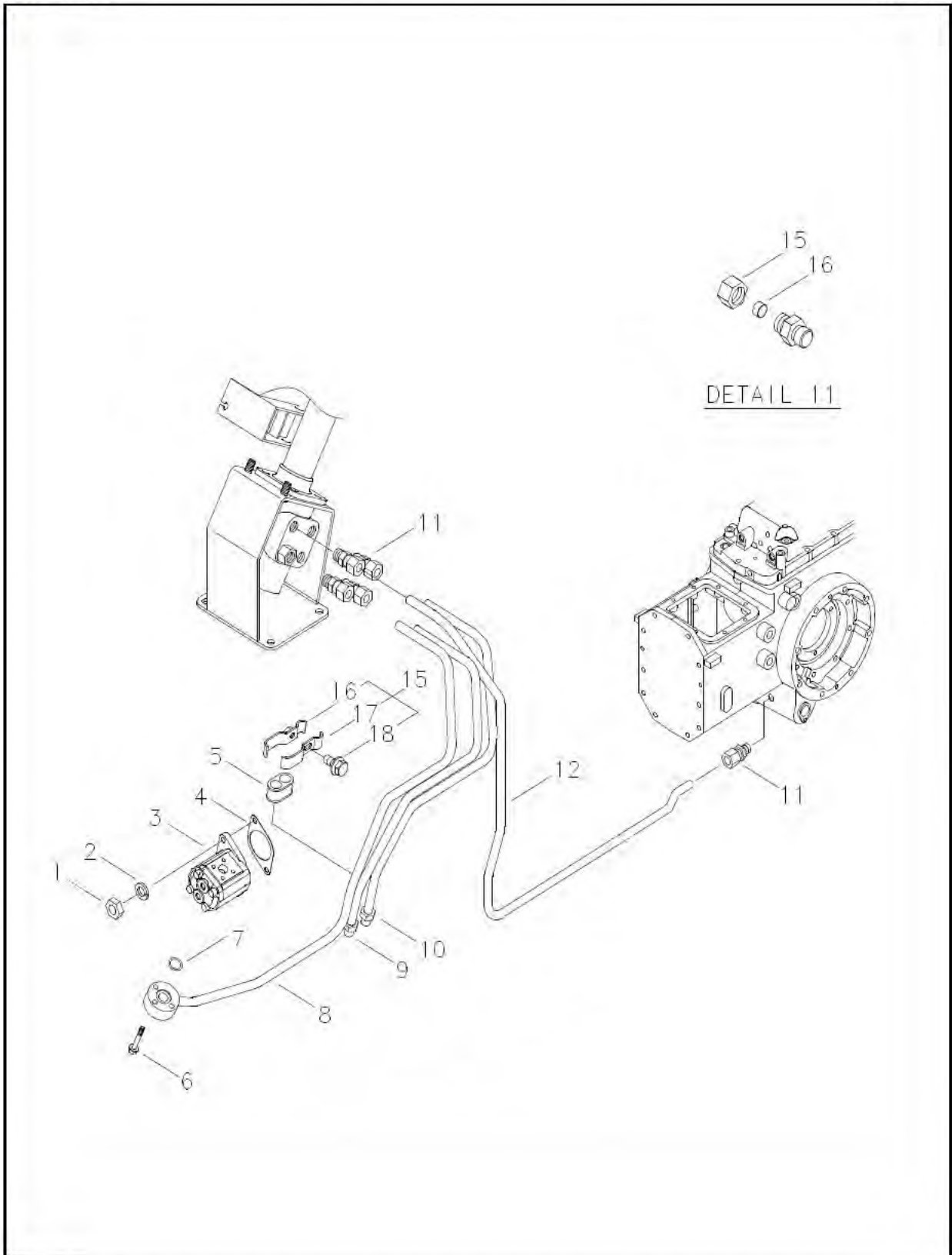
FIG. 6-3

NO.	PART NO.	PART NAME & DESCRIPTION		QTY			APP. NO	REM.
				A	B	C		
1	A1630283	SUPPORT, STEERING		1	1	1		
2	A1630222	STEERING UNIT	80cc/rev	1	1	1		
3	S154102533	BOLT, HEX	M10×1.25×25	4	4	4		
4~9	A1630230	STEERING COLUMN ASSY		1	1	1		
4	S810020001	RING, SNAP	Φ20	2	2	2		
5	S811042001	RING, SNAP(C)H	Φ42	1	1	1		
6	A1970233	BEARING	6004DD (OD42×ID20×12)	1	1	1		
7	A1630231	COLUMN , STEERING		1	1	1		
8	A1630232	SHAFT , STEERING	Φ20	1	1	1		
9	A1630153	SEAL , STEERING		1	1	1		
10	A1630281	RUBBER, DAMPING	8t	4	4	4		
11	A1630282	COLLAR, STEERING		4	4	4		
12	S156103033	BOLT, HEX . W/WASHER	M10×1.25×30	4	4	4		
13~15	A5002130	STR. WHEEL ASSY		1	1	1		
13	A5001458	WHEEL, STEERING		1	1	1		
14	A5000583	CAP, WHEEL		1	1	1		
15	A1980437	DECAL, LG MARK		1	1	1		
16	S361140013	WASHER, SPR	Φ14.2×3.5	1	1	1		
17	S314140013	NUT, HEX	M14×1.5	1	1	1		

STEERING PIPE LINE

FIG. 6-4A

G. 630



STEERING PIPE LINE

A-LT280D, B-LT300D, C-LT360D

A-LT280D, B-LT300D, C-LT360D

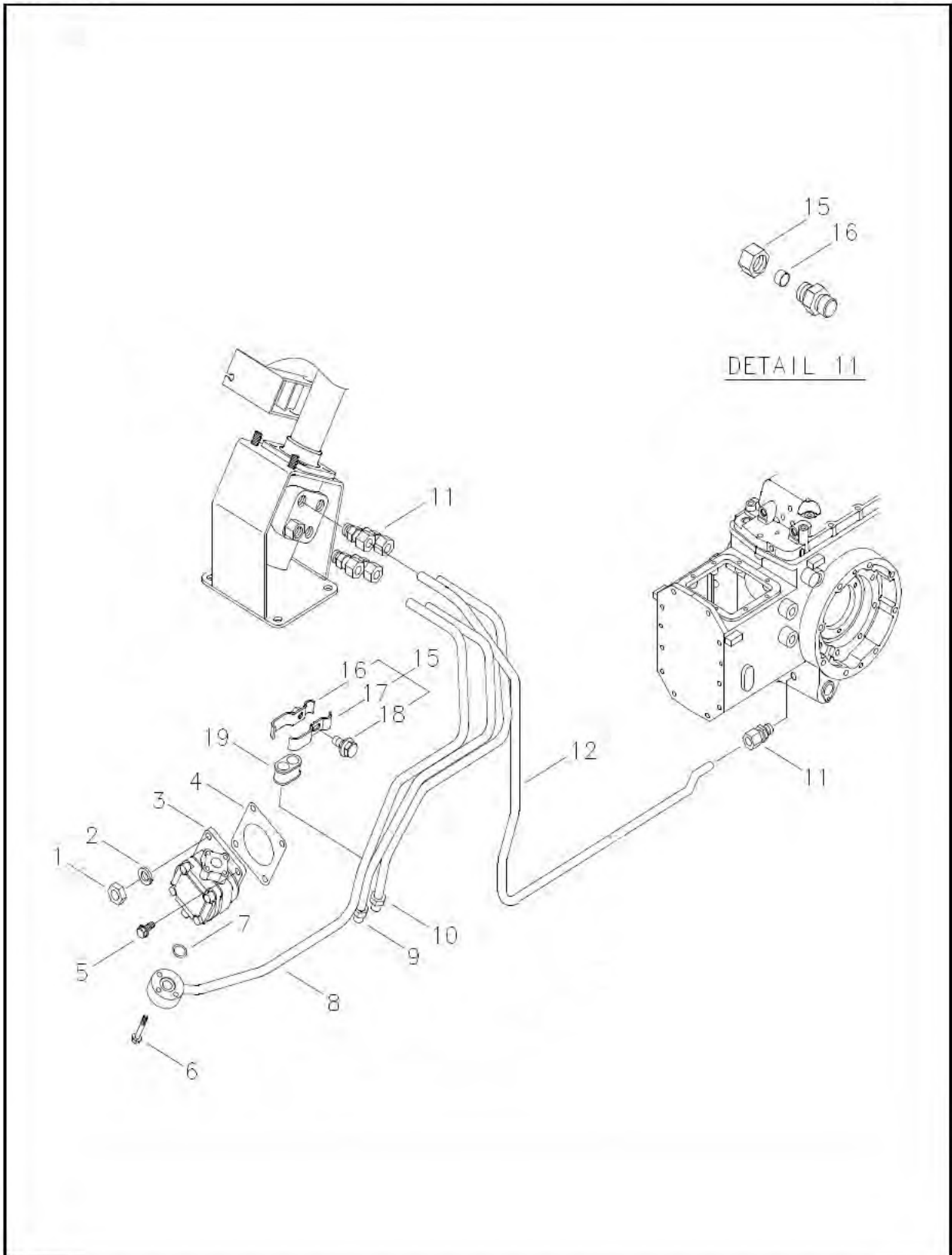
FIG. 6-4A EU, R, AG, VA, PT

NO.	PART NO.	PART NAME & DESCRIPTION		QTY			APP. NO	REM.
				A	B	C		
1	S313080013	NUT, HEX	M8×1.25	2	2	2		
2	S361080013	WASHER, SPRING	Φ15.4×Φ8.2×2t	2	2	2		
3	A1630562	PUMP, STEERING	7cc/rev	1	1	1		
4	A1630547	PACKING, PUMP	0.6t	1	1	1		
5	A1630166	RUBBER, DAMPING		1	1	1		
6	S153063533	BOLT, HEX	M6×1.0×35	3	3	3		
7	S801018010	O-RING	D17.8×2.4	1	1	1		
8,11	A1630564	P/S PRESSURE PIPE SUB		1	1	1		
8	A1630565	PIPE, P/S PRESSURE		1	1	1		
9,11	A1630495	P/S PIPE RH SUB		1	1	1		
9	A1630471	PIPE, P/S RH		1	1	1		
10,11	A1630494	P/S PIPE LH SUB		1	1	1		
10	A1630470	PIPE, P/S LH		1	1	1		
11	A1630144	JOINT	BOM12-03G	5	5	5		
11,12	A1630496	P/S DRAIN ASSY		1	1	1		
12	A1630497	PIPE, P/S DRAIN		1	1	1		
13	A1630169	SLEEVE	Φ12	5	5	5		
14	A1630170	NUT, HEX		5	5	5		
15	A1630338	CLAMP, ASSY		1	1	1		
16	A1630339	CLAMP, A . STR PIPE		1	1	1		
17	A1630340	CLAMP, B . STR PIPE		1	1	1		
18	S155062533	BOLT, HEX	M6 X 1.0 X 25	1	1	1		

STEERING PIPE LINE

FIG. 6-4A

G. 630



STEERING PIPE LINE

A-LT280D, B-LT300D, C-LT360D

A-LT280D, B-LT300D, C-LT360D

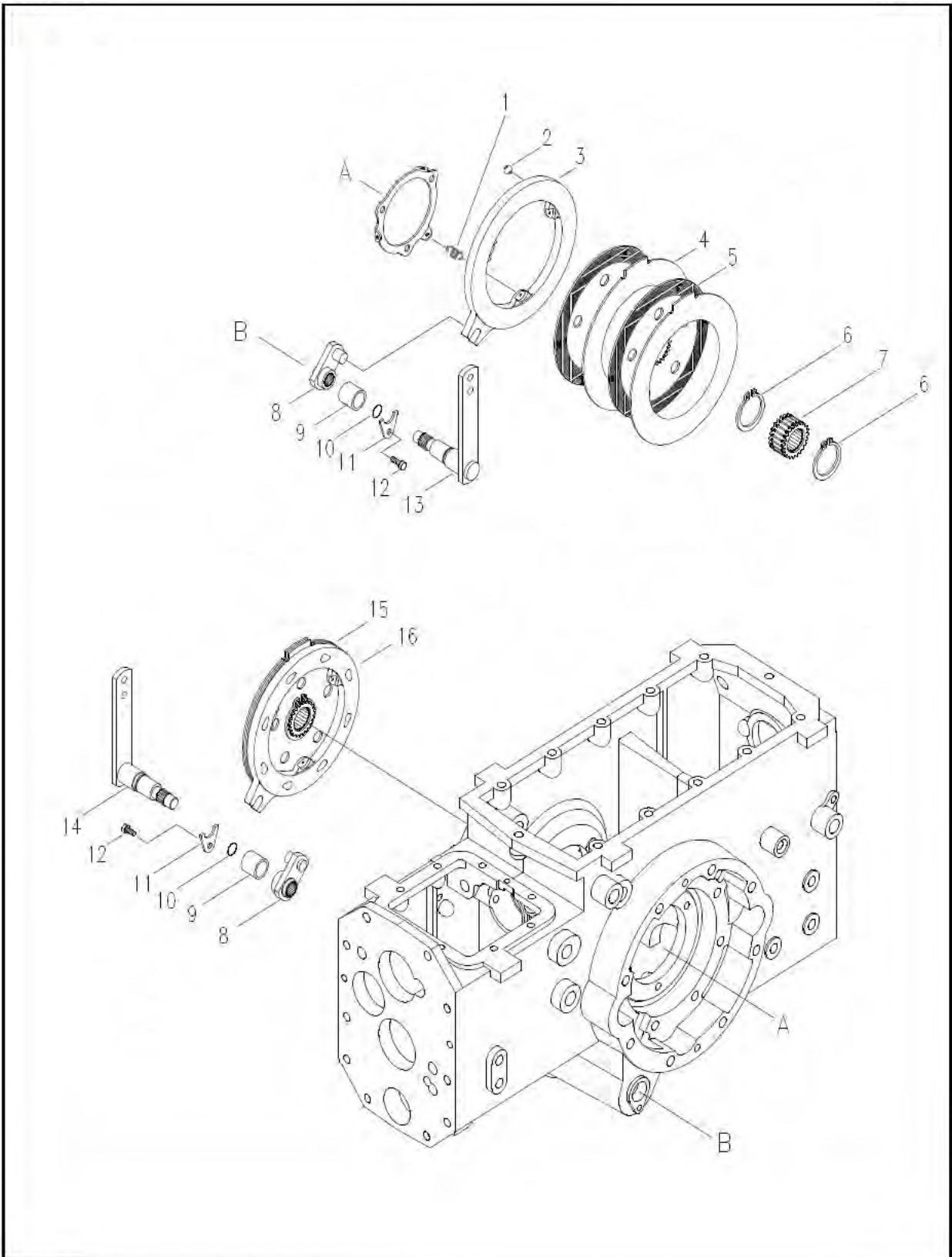
FIG. 6-4A EU, R, AG, VA, PT

NO.	PART NO.	PART NAME & DESCRIPTION		QTY			APP. NO	REM.
				A	B	C		
1	S313080013	NUT, HEX	M8×1.25	2	2	2		
2	S361080013	WASHER, SPRING	Φ15.4×Φ8.2×2t	2	2	2		
3	A1630221	PUMP, STEERING	6.99cc/rev	1	1	1		
4	3A1823010	PACKING, PUMP	0.6t	1	1	1		
5	S153082033	BOLT, HEX	M8×1.25×20	2	2	2		
6	S153063533	BOLT, HEX	M6×1.0×35	3	3	3		
7	S801018010	O-RING	D17.8×2.4	1	1	1		
8,11	A1630493	P/S PRESSURE PIPE SUB		1	1	1		
8	A1630469	PIPE, P/S PRESSURE		1	1	1		
9,11	A1630495	P/S PIPE RH SUB		1	1	1		
9	A1630471	PIPE, P/S RH		1	1	1		
10,11	A1630494	P/S PIPE LH SUB		1	1	1		
10	A1630470	PIPE, P/S LH		1	1	1		
11	A1630144	JOINT	BOM12-03G	5	5	5		
11,12	A1630496	P/S DRAIN ASSY		1	1	1		
12	A1630497	PIPE, P/S DRAIN		1	1	1		
13	A1630169	SLEEVE	Φ12	5	5	5		
14	A1630170	NUT, HEX		5	5	5		
15	A1630338	CLAMP, ASSY		1	1	1		
16	A1630339	CLAMP, A . STR PIPE		1	1	1		
17	A1630340	CLAMP, B . STR PIPE		1	1	1		
18	S155062533	BOLT, HEX	M6 X 1.0 X 25	1	1	1		
19	A1630166	RUBBER, DAMPING		1	1	1		

BRAKE (650)

FIG. 7-1

G. 650



BRAKE (650)

A-LT280D, B-LT300D, C-LT360D

A-LT280D, B-LT300D, C-LT360D

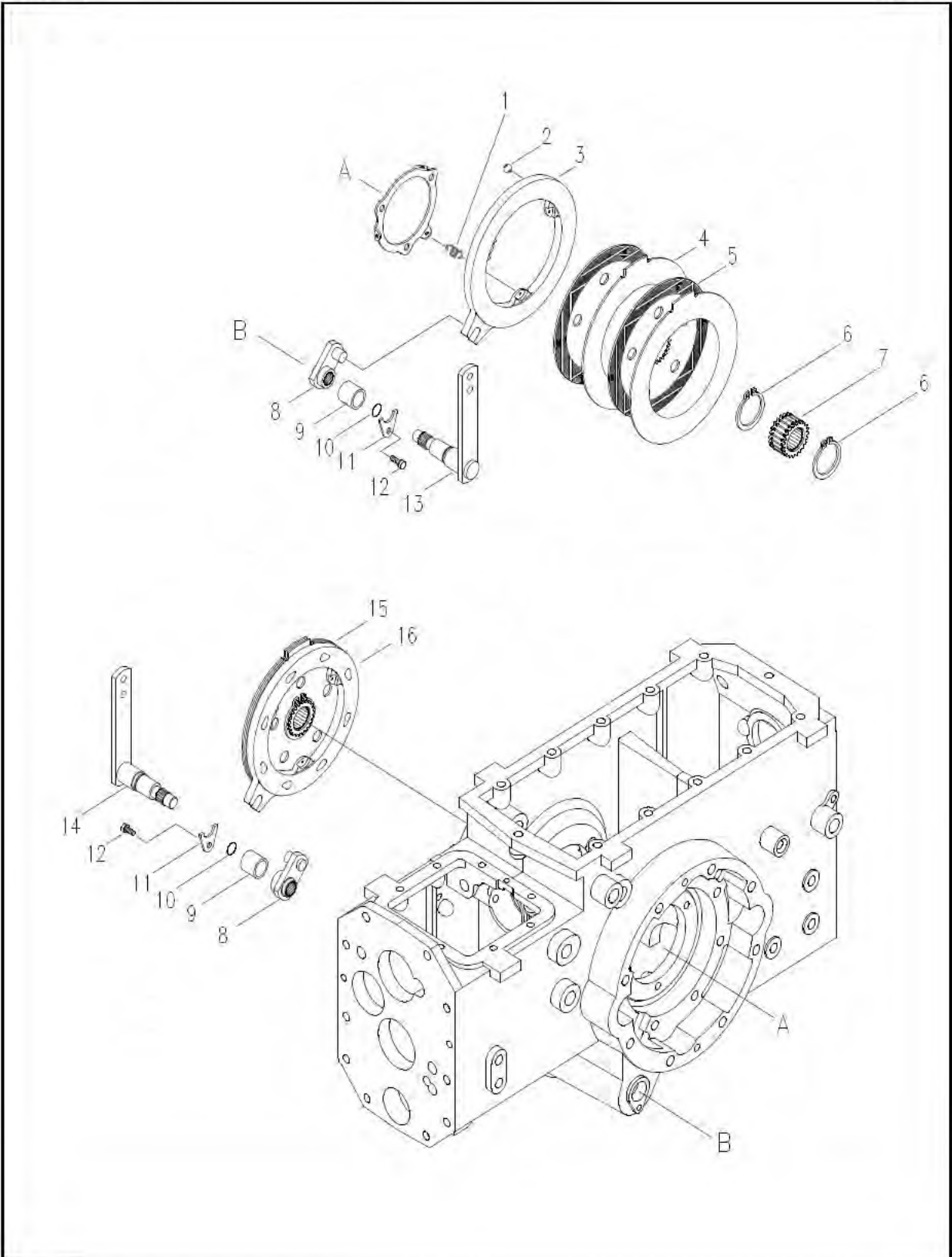
FIG. 7-1

NO.	PART NO.	PART NAME & DESCRIPTION		QTY			APP. NO	REM.
				A	B	C		
1-7	A1650072	BRAKE ASSY(LH)		1	1	1		
1	3A1653010	SPRING	D2	6	6	6		
2	3A1653007	BALL	1/2"	16	16	16		
3	A1650077	PLATE, CAM(LH)		1	1	1		
4	A1650107	PLATE, PRESSURE		4	4	4		
5	A1653063	PLATE, FRICTION		4	4	4		
6	S810058001	RING, SNAP	D53.8x2t	4	4	4		
7	A1650078	BOSS, SPLINE		2	2	2		
8	A1650079	INNER ARM, BRAKE		2	2	2		
9	A0677815	BUSHING, DU		2	2	2		
10	S801025010	O-RING		2	2	2		
11	A1650080	PLATE, BRAKE LEVER		2	2	2		
12	S154102033	BOLT, HEX	M10x1.25x20L	2	2	2		
13	A1670284	LEVER, BRAKE(LH)		1	1	1		
14	A1670285	LEVER, BRAKE(RH)		1	1	1		
15	A1650071	BRAKE ASSY(RH)		1	1	1		
16	A1650076	PLATE, CAM(RH)		1	1	1		

BRAKE (650)

FIG. 7-1

G. 650



BRAKE (650)

A-LT280D, B-LT300D, C-LT360D

A-LT280D, B-LT300D, C-LT360D

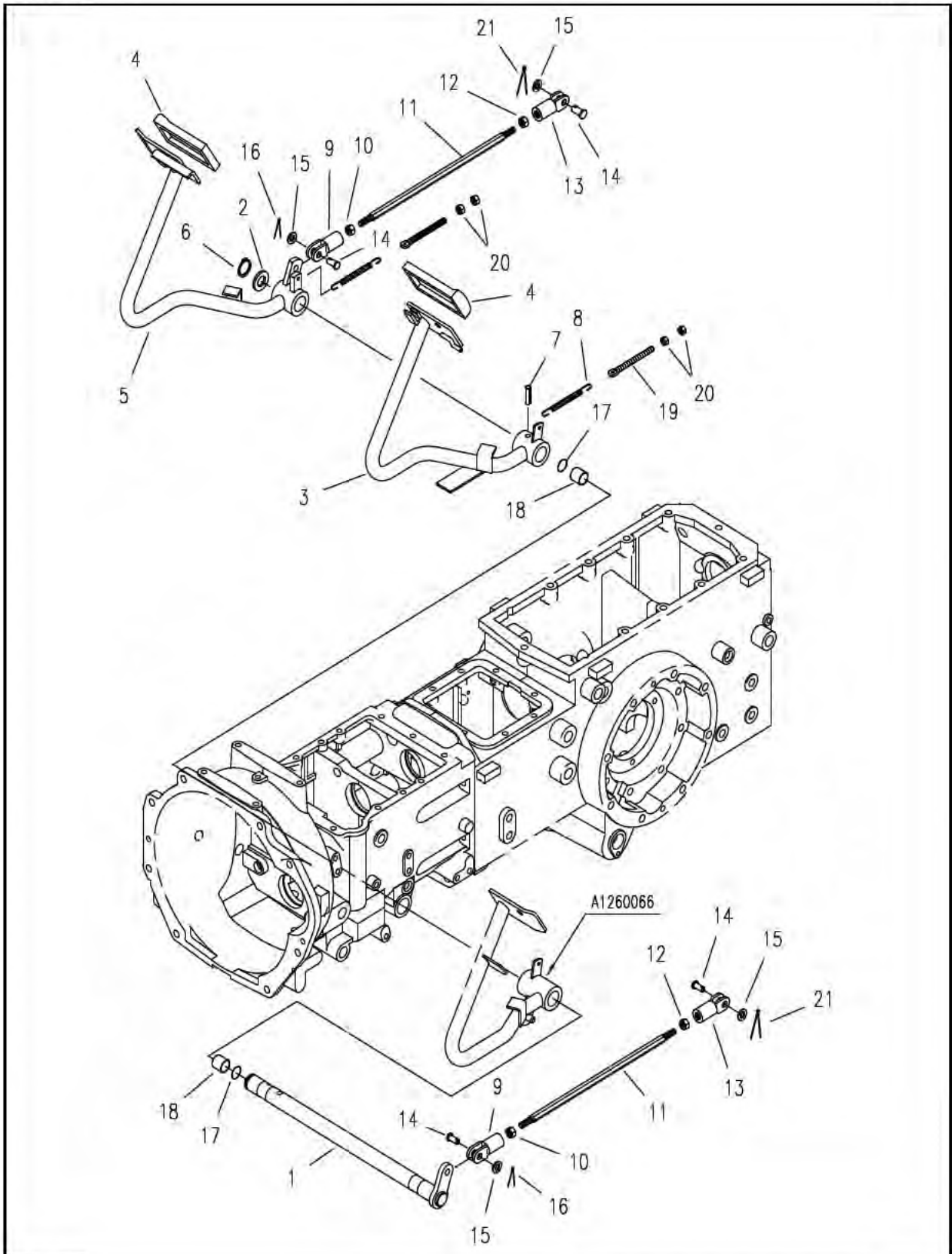
FIG. 7-1

NO.	PART NO.	PART NAME & DESCRIPTION		QTY			APP. NO	REM.
				A	B	C		
1-7	A1650072	BRAKE ASSY(LH)		1	1	1		
1	3A1653010	SPRING	D2	6	6	6		
2	3A1653007	BALL	1/2"	16	16	16		
3	A1650077	PLATE, CAM(LH)		1	1	1		
4	A1653065	PLATE, PRESSURE		4	4	4		
5	A1653063	PLATE, FRICTION		4	4	4		
6	S810058001	RING, SNAP	D53.8x2t	4	4	4		
7	A1650078	BOSS, SPLINE		2	2	2		
8	A1650079	INNER ARM, BRAKE		2	2	2		
9	A0677812	BUSHING, DU		2	2	2		
10	S801025010	O-RING		2	2	2		
11	A1650080	PLATE, BRAKE LEVER		2	2	2		
12	S154102033	BOLT, HEX	M10x1.25x20L	2	2	2		
13	A1670284	LEVER, BRAKE(LH)		1	1	1		
14	A1670285	LEVER, BRAKE(RH)		1	1	1		
15	A1650071	BRAKE ASSY(RH)		1	1	1		
16	A1650076	PLATE, CAM(RH)		1	1	1		

BRAKE PEDALS

FIG. 7-2

G. 650



BRAKE PEDALS

A-LT280D, B-LT300D, C-LT360D

A-LT280D, B-LT300D, C-LT360D

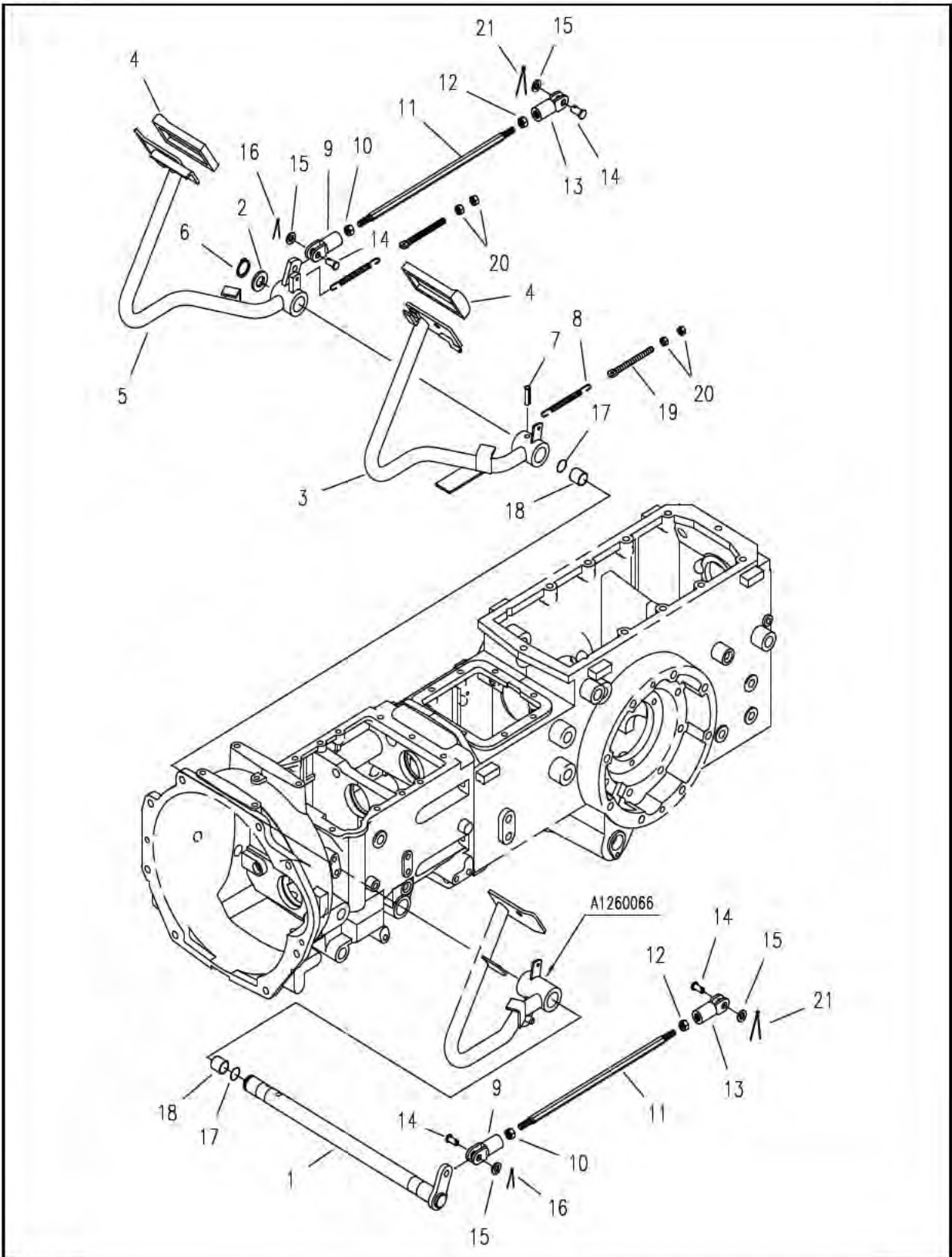
FIG. 7-2

NO.	PART NO.	PART NAME & DESCRIPTION		QTY			APP. NO	REM.
				A	B	C		
1	A1670327	SHAFT, BRAKE PEDAL		1	1	1		
2	S364240013	WASHER, FLAT	OD44xID25x4.0t	1	1	1		
3	A1670150	PEDAL, BRAKE(LH)		1	1	1		
4	A1670084	PAD, PEDAL		2	2	2		
5	A1670253	PEDAL, BRAKE(RH)		1	1	1		
6	S810025001	RING, SNAP	OD23.2x1.2t	1	1	1		
7	S446084012	PIN, SPRING	D8x40L	1	1	1		
8	A1670288	SPRING		2	2	2		
9-13	A1670146	BRAKE ROD ASSY		2	2	2		
9	A1670148	END#1, BRAKE ROD		1	1	1		
10	S313100013	NUT, HEX	M10x1.5(R)	1	1	1		
11	A1670147	ROD, BRAKE	M12	1	1	1		
12	A0611050	NUT, HEX	M10x1.5L	1	1	1		
13	A1670149	END#2, BRAKE ROD		1	1	1		
14	A1670118	PIN, CLEVIS	D10x26	4	4	4		
15	S364100013	WASHER, PLAIN	OD21xID10.5x2.0t	4	4	4		
16	S441252013	PIN, SPLIT	D2.5x20	2	2	2		
17	S801025010	O-RING	D24.7xW3.5	2	2	2		
18	A1970203	BUSHING	OD28xID25x20L	2	2	2		
19	A1260073	BOLT, ADJUSTER	M8x1.25	2	2	2		
20	S301080043	NUT, HEX	M8x1.25	4	4	4		
21	S443120013	PIN, CLIP	D12x35.8	2	2	2		

BRAKE PEDALS

FIG. 7-2

G. 650



BRAKE PEDALS

A-LT280D, B-LT300D, C-LT360D

A-LT280D, B-LT300D, C-LT360D

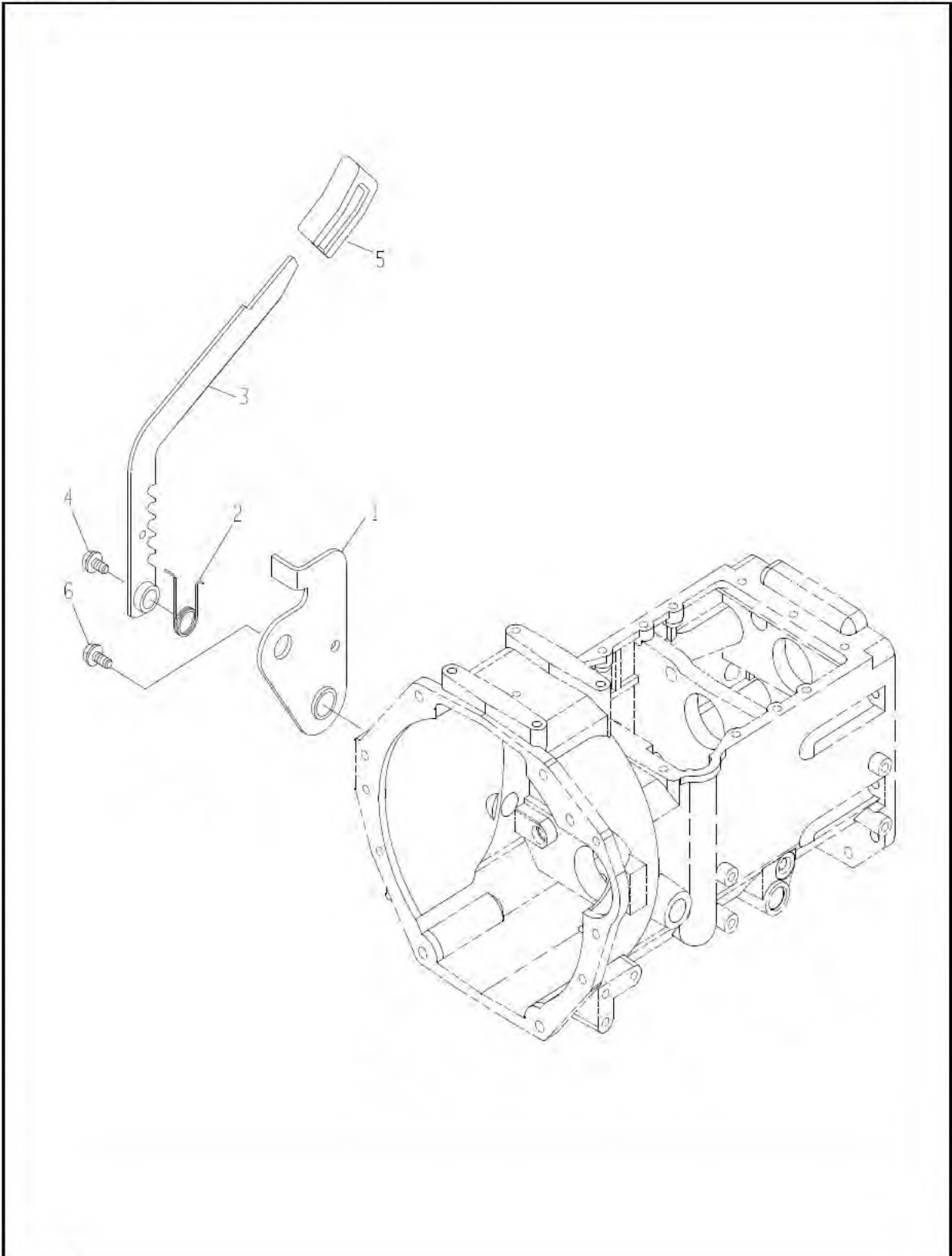
FIG. 7-2

NO.	PART NO.	PART NAME & DESCRIPTION		QTY			APP. NO	REM.
				A	B	C		
1	A1670152	SHAFT, BRAKE PEDAL		1	1	1		
2	S364240013	WASHER, FLAT	OD44xID25x4.0t	1	1	1		
3	A1670150	PEDAL, BRAKE(LH)		1	1	1		
4	A1670084	PAD, PEDAL		2	2	2		
5	A1670253	PEDAL, BRAKE(RH)		1	1	1		
6	S810025001	RING, SNAP	OD23.2x1.2t	1	1	1		
7	S446084012	PIN, SPRING	D8x40L	1	1	1		
8	A1670158	SPRING		2	2	2		
9-13	A1670146	BRAKE ROD ASSY		2	2	2		
9	A1670148	END#1, BRAKE ROD		1	1	1		
10	S313100013	NUT, HEX	M10x1.5(R)	1	1	1		
11	A1670147	ROD, BRAKE	M12	1	1	1		
12	A0611050	NUT, HEX	M10x1.5L	1	1	1		
13	A1670149	END#2, BRAKE ROD		1	1	1		
14	A1670118	PIN, CLEVIS	D10x26	4	4	4		
15	S363100013	WASHER, PLAIN	OD18xID10.5x2.0t	4	4	4		
16	S441302013	PIN, SPLIT	D3.0x20	2	2	2		
17	S801025010	O-RING	D24.7xW3.5	2	2	2		
18	A1970203	BUSHING	OD28xID25x20L	2	2	2		
19	A1260073	ADJUSTER	M8x1.25	2	2	2		
20	S301080043	NUT, HEX	M8x1.25	4	4	4		
21	S443120013	PIN, CLIP	D12x35.8	2	2	2		

PARKING BRAKE

FIG. 7-3A

G. 670



PARKING BRAKE

A-LT280D, B-LT300D, C-LT360D

A-LT280D, B-LT300D, C-LT360D

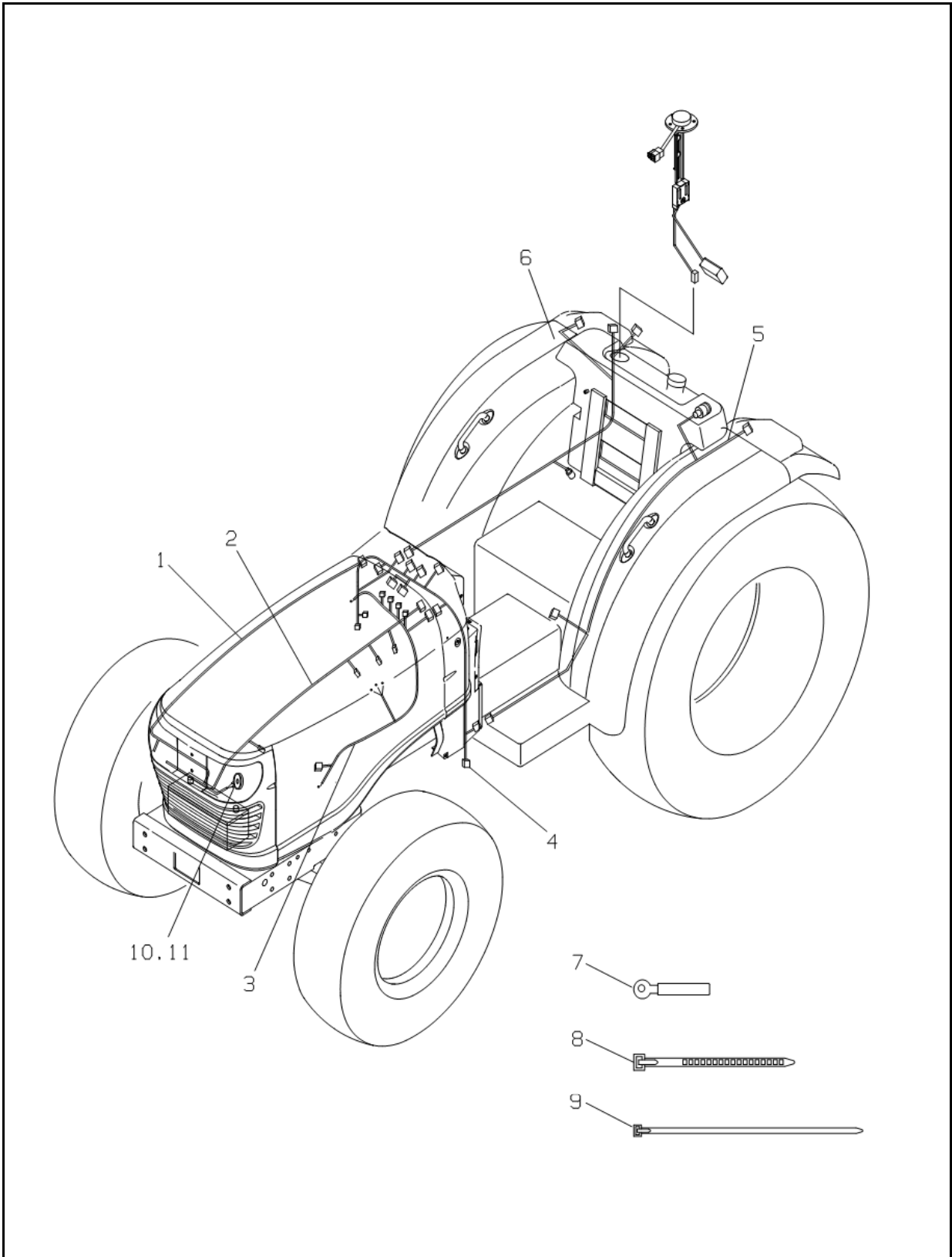
FIG. 7-3A DO, TF, EX, MY, AG

NO.	PART NO.	PART NAME & DESCRIPTION		QTY			APP. NO	REM.
				A	B	C		
1	A1670156	BRACKET		1	1	1		
2	A1670154	SPRING		1	1	1		
3	A1670153	RATCHET, PARKING		1	1	1		
4	S156103533	BOLT, HEX. W/WASHER	M10x1.25	1	1	1		
5	A1970241	GRIP		1	1	1		
6	S156102533	BOLT, HEX. W/WASHER	M10x1.25x25	1	1	1		

ELECTRICAL WIRING

FIG. 7-4B

G. 730



ELECTRICAL WIRING

A-LT280D, B-LT300D, C-LT360D

A-LT280D, B-LT300D, C-LT360D

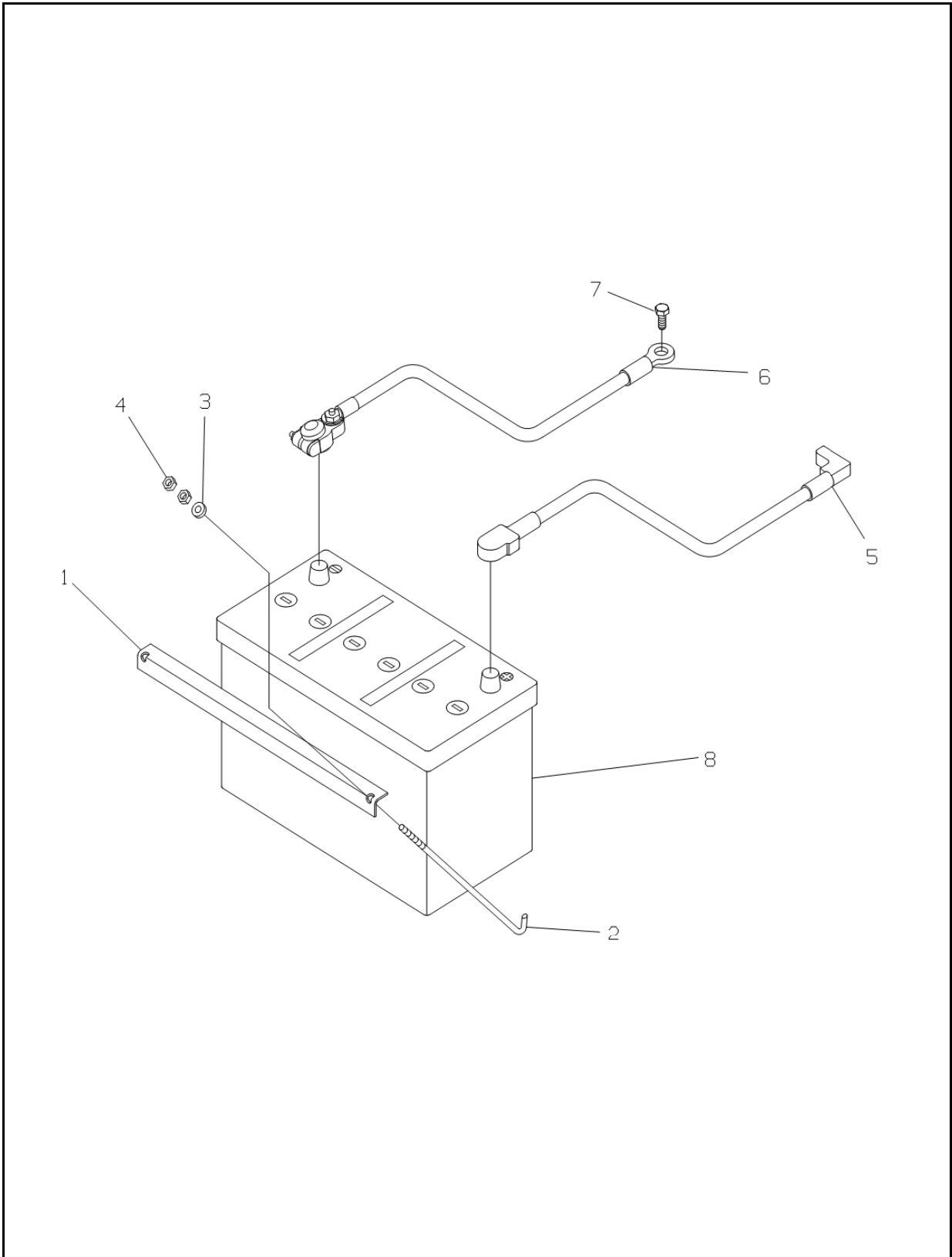
FIG. 7-4B EX, AG

NO.	PART NO.	PART NAME & DESCRIPTION	QTY			APP. NO	REM.
			A	B	C		
1	A1730062	HARNESS, FRONT LIGHT	1	1	1		
2	A1730064	HARNESS, FRONT SENSOR	1	1	1		
3	A1730111	HARNESS, ENGINE UNIT	1	1	1		
4	A1730201	HARNESS, PANEL	1	1	1		
5	A1730173	HARNESS, REAR(LH)	1	1	1		
6	A1730170	HARNESS, MIDDLE	1	1	1		
7	A0640015	CLAMP	5	5	5		
8	A0640028	BAND, WIRE	14	14	14		
9	A0640009	BAND, WIRE	5	5	5		
10	S155062033	BOLT, HEX	M16X1.0X20L	1	1	1	
11	A5002054	HORN		1	1	1	

BATTERY

FIG. 7-5

G. 740



BATTERY

A-LT280D, B-LT300D, C-LT360D

A-LT280D, B-LT300D, C-LT360D

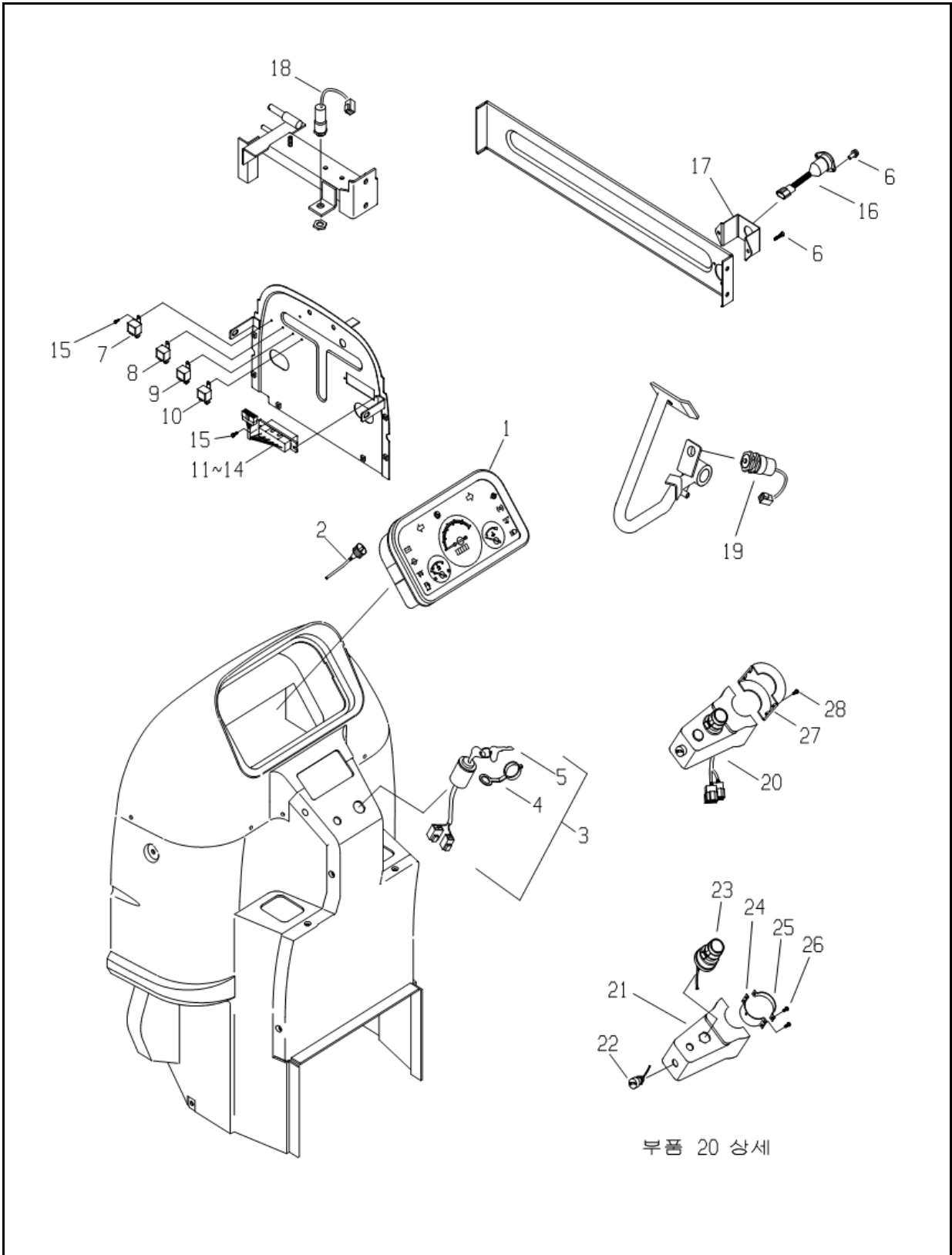
FIG. 7-5

NO.	PART NO.	PART NAME & DESCRIPTION	QTY			APP. NO	REM.
			A	B	C		
1	A1740003	CLAMP, BATTERY	1	1	1		
2	A1741021	ROD, BATTERY CLAMP	2	2	2		
3	S363060013	WASHER, PLAIN	2	2	2		
4	S305060013	NUT, HEX	4	4	4		
5	A1740020	CABLE, BATTERY (+) POS.	1	1	1		
6	A1740030	CABLE, BATTERY (-) NEG.	1	1	1		
7	S155082033	BOLT, HEX W/WASHER	1	1	1		
8	A1740002	BATTERY, MF	1	1	1		

INSTRUMENT PANEL

FIG. 7-6B

G. 750



부품 20 상세

INSTRUMENT PANEL

A-LT280D, B-LT300D, C-LT360D

A-LT280D, B-LT300D, C-LT360D

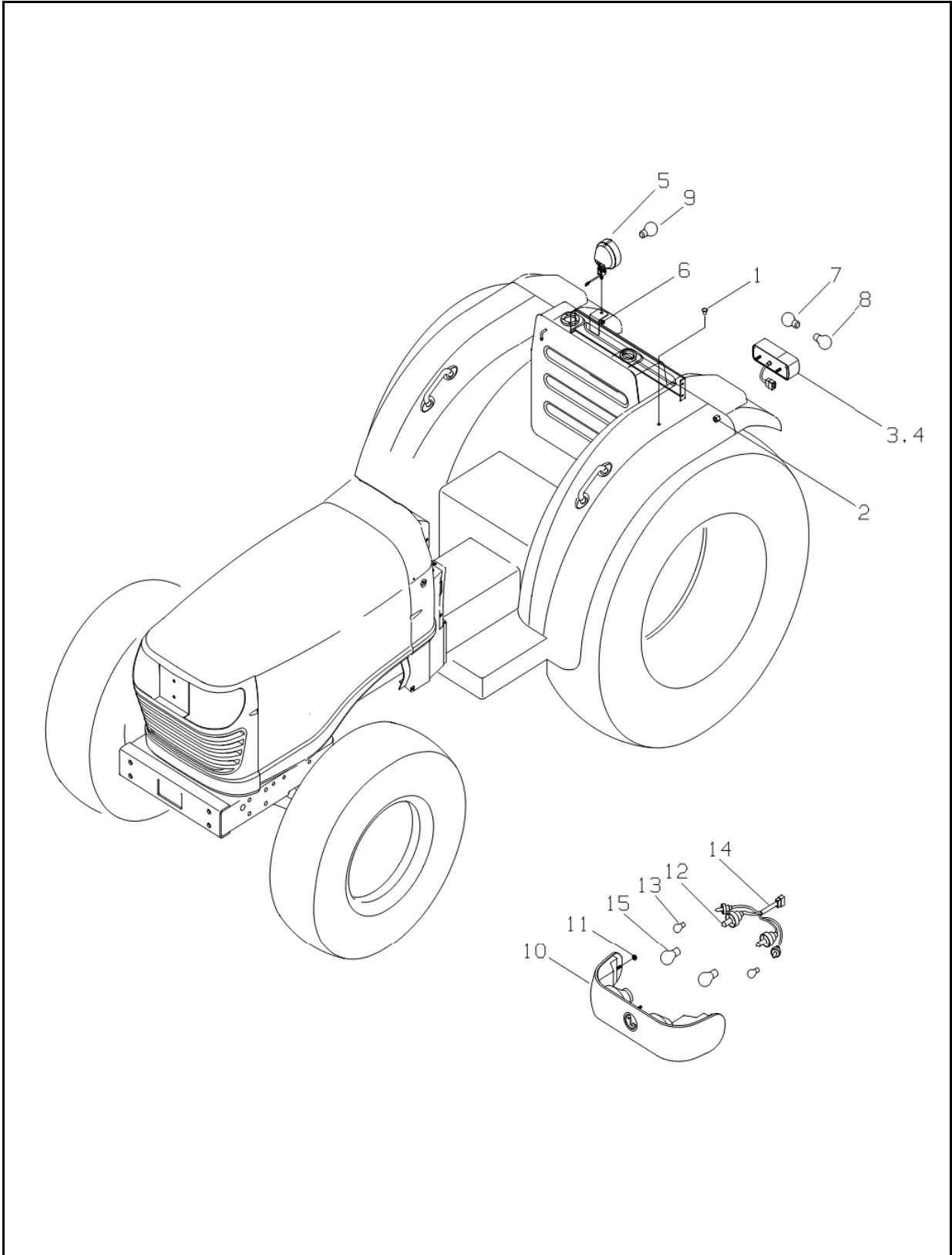
FIG. 7-6B EX, AG

NO.	PART NO.	PART NAME & DESCRIPTION		QTY			APP. NO	REM.
				A	B	C		
1	A1750217	INSTRUMENT PANEL ASSY		1	1	1		
-	A1750140	LAMP	12V, 1.4W	6	6	6		
-	A1750141	LAMP	12V, 3.4W	6	6	6		
2	A1750165	CABLE, TACHOMETER		1	1	1		
3	A5001132	KEY SWITCH ASSY		1	1	1		
4	A5001135	CAP, KEY		1	1	1		
5	A1750290	KEY		1	1	1		
6	S155081633	BOLT, HEX	M8X1.25X16L	4	4	4		OPT
7	Q1800011	GLOW RELAY ASSY		1	1	1		
8	Q1800017	TIMER, GLOW		1	1	1		
9	Q1800018	RELAY, START		1	1	1		
10	A30G0005	RELAY		1	1	1		
11~14	A1750124	FUSE BOX ASSY		1	1	1		
11	A30C0075	BOX, FUSE		1	1	1		
12	A0751005	FUSE, 10A	10A	4	4	4		
13	A0751006	FUSE, 15A	15A	3	3	3		
14	A0751007	FUSE, 20A	20A	2	2	2		
15	S159061633	BOLT, HEX	M6X1.0X16L	6	6	6		
16	A1750171	7-POLE CONNECTOR ASSY		1	1	1		OPT
17	A1750267	BRACKET, 7-POLE		1	1	1		OPT
18	A1750173	SWITCH, BRAKE		1	1	1		
19	A1750174	SWITCH, START/PTO		1	1	1		
20	A1750258	STR. COLUMN S/W ASSY		1	1	1		
21	A1750178	COVER, COMBI SWITCH		1	1	1		
22	A1750179	SWITCH, HORN		1	1	1		
23	A1750257	SWITCH, COMBI		1	1	1		
24	A1750181	CLAMP A		1	1	1		
25	A1750182	CLAMP B		1	1	1		
26	S226401211	SCREW, W/SPR.	M4X0.7X12L	4	4	4		
27	A1750153	COVER, COMBI SWITCH		1	1	1		
28	S224402511	SCREW, CROSS	M4X0.7X25L	4	4	4		

LAMP

FIG. 7-7B

G. 760



LAMP

A-LT280D, B-LT300D, C-LT360D

A-LT280D, B-LT300D, C-LT360D

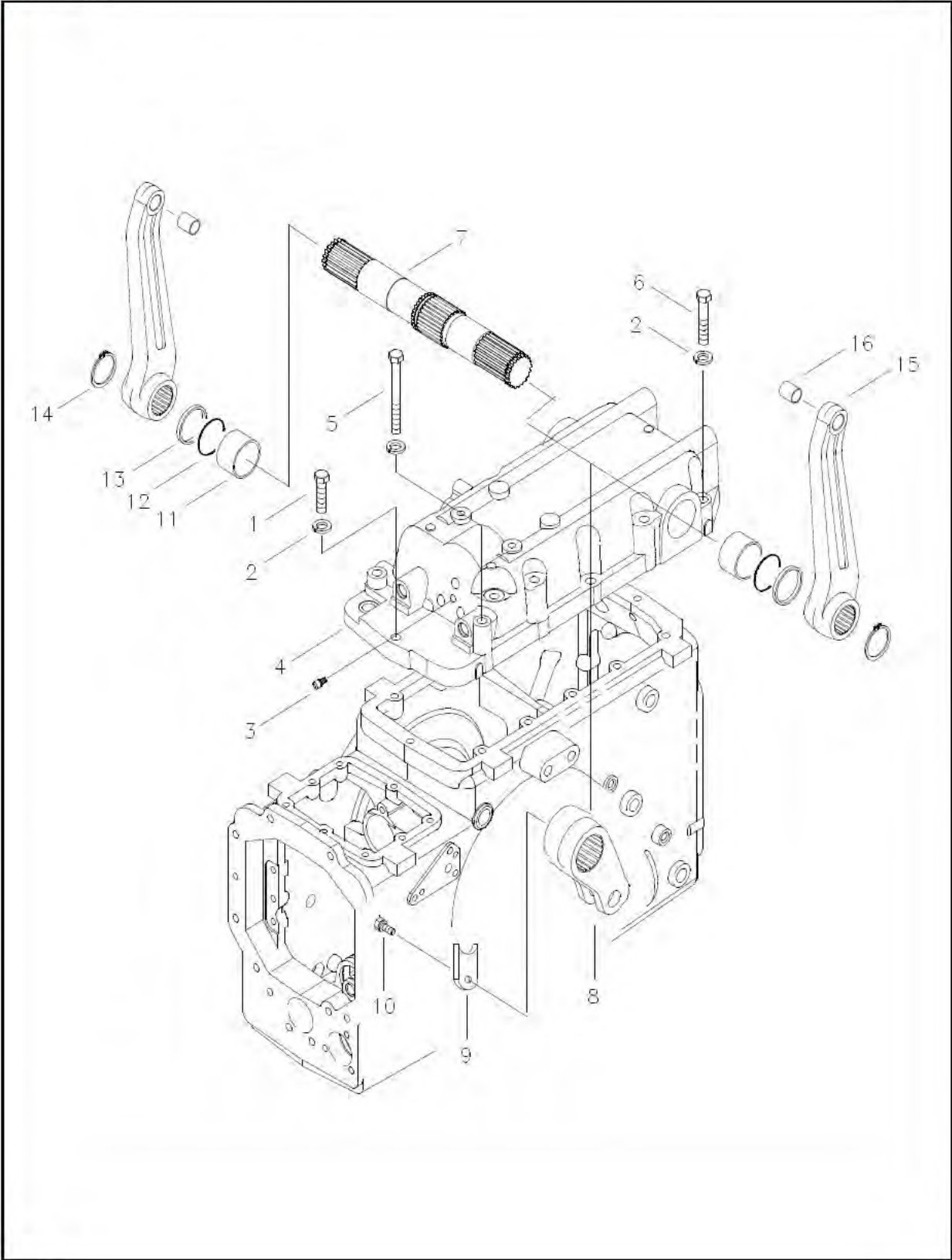
FIG. 7-7B EX, AG

NO.	PART NO.	PART NAME & DESCRIPTION		QTY			APP. NO	REM.
				A	B	C		
1	A0610083	PLUG		2	2	2		
2	S305060043	NUT, HEX	M6X1.0P	4	4	4		
3	A1760035	COMBI LAMP ASSY(RH)		1	1	1		
4	A1760036	COMBI LAMP ASSY(LH)		1	1	1		
5	A1760037	LAMP, WORKING		1	1	1		
6	S313080013	NUT, HEX	M8X1.25P	1	1	1		
7	A1760042	BULB	12V/10/5W	2	2	2		
8	A1760041	BULB	12V/8W	2	2	2		
9	A1760043	BULB, WORKING		1	1	1		
10~15	A1760034	HEAD LAMP ASSY.		1	1	1		
10	A1760032	LENS, HEAD LAMP		1	1	1		
11	S345060013	NUT, FLANGE B-TY.	M6x0.8	4	4	4		
12	A1970303	CAP, RUBBER		1	1	1		
13	A1760031	LAMP, TURN SIGNAL		2	2	2		
14	A1730075	HARNESS, HEAD LAMP		1	1	1		
15	A1760030	BULB	12V/35/35W	2	2	2		

HYDRAULIC HOUSING

FIG. 9-1A

G. 820



HYDRAULIC HOUSING

A-LT280D, B-LT300D, C-LT360D

A-LT280D, B-LT300D, C-LT360D

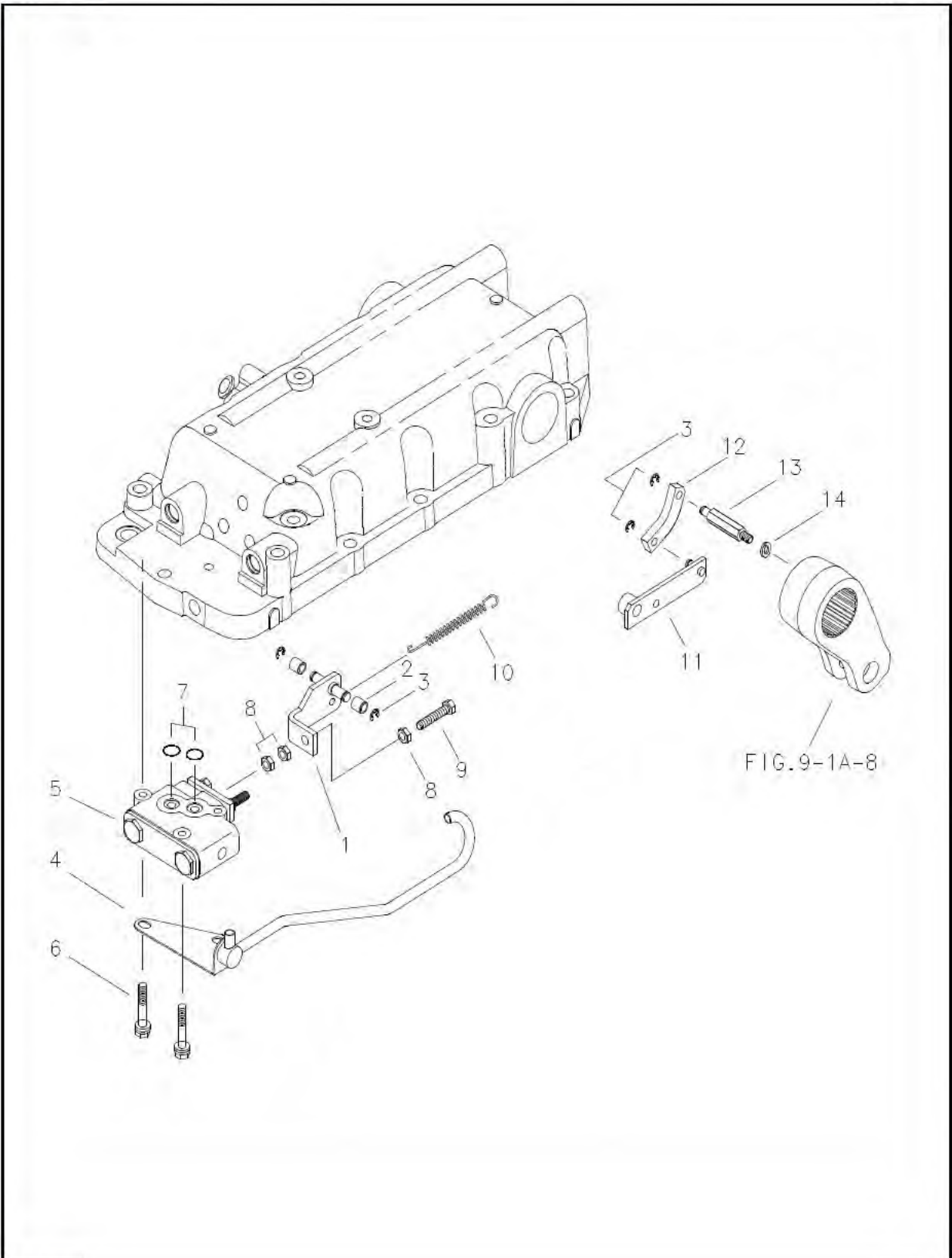
FIG. 9-1A

NO.	PART NO.	PART NAME & DESCRIPTION		QTY			APP. NO	REM.
				A	B	C		
1	S105124543	BOLT, HEX . SMALL	M12×1.75×45	4	4	4		
2	S361120013	WASHER, SPRING	Φ21.5×Φ12.2×3t	12	12	12		
3	A1250049	PLUG, AIRVENT		1	1	1		
4	A1820032	HOUSING, HYD		1	1	1		
5	S105128543	BOLT, HEX . SMALL	M12×1.75×85	4	4	4		
6	S105126043	BOLT, HEX . SMALL	M12×1.75×60	4	4	4		
7	A1821030	SHAFT, HYD. LIFT		1	1	1		
8	A1821029	ARM, POWER		1	1	1		
9	A1826094	PLATE, LOCK		1	1	1		
10	S153081633	BOLT, HEX	M8×1.25×16	1	1	1		
11	3A1821005	BUSHING	Φ45×Φ50×30	2	2	2		
12	S802045010	O-RING	D44.4×3.1	2	2	2		
13	3A1821004	COLLAR	Φ45×Φ50×5	2	2	2		
14	S810042001	RING, SNAP	Φ38.5	2	2	2		
15	2A1821006	ARM, LIFT		2	2	2		
16	3A1821007	BUSHING	Φ19×Φ22×25	2	2	2		

LIFT CONTROL VALVE & LINK

FIG. 9-2B

G. 822



LIFT CONTROL VALVE & LINK

A-LT280D, B-LT300D, C-LT360D

A-LT280D, B-LT300D, C-LT360D

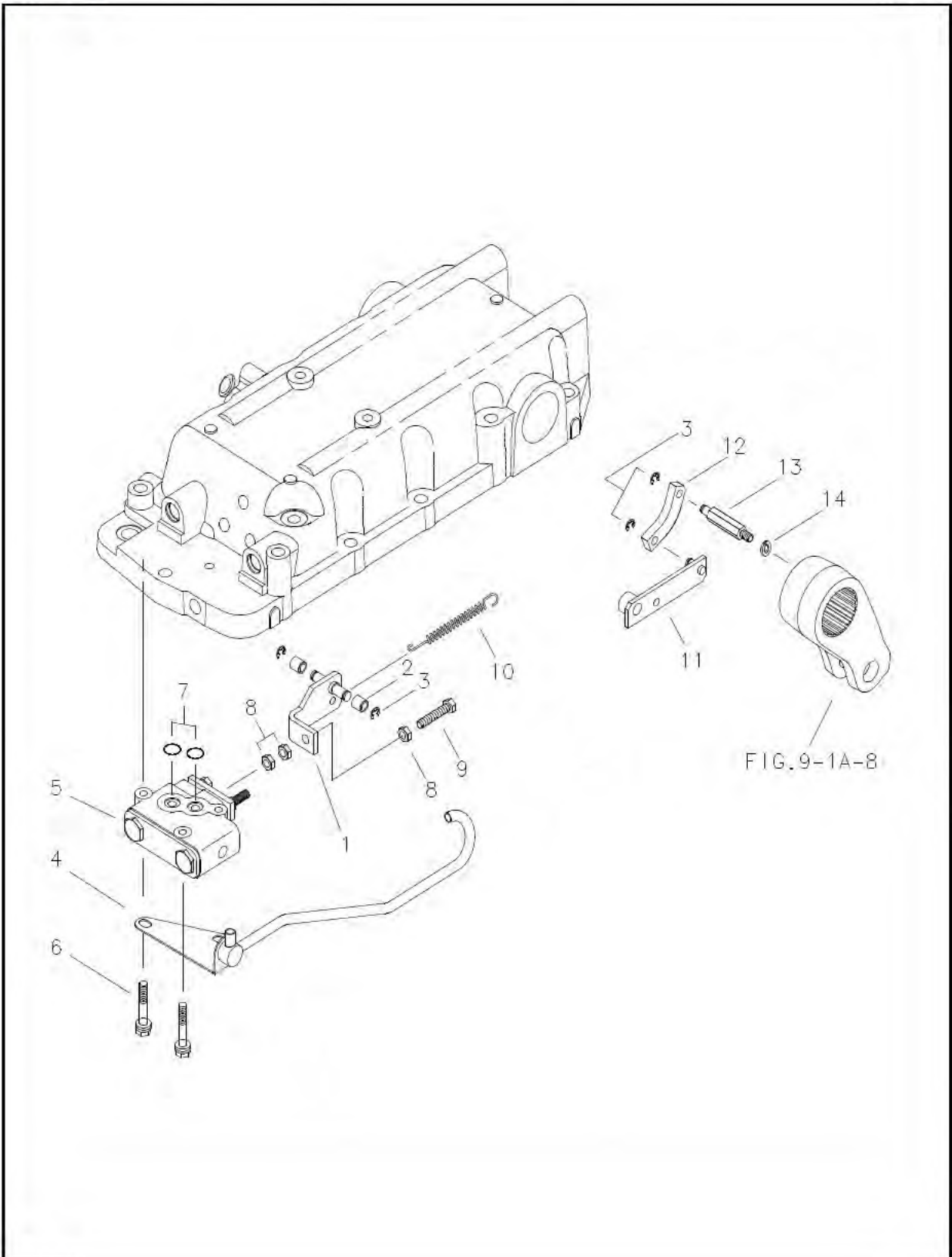
FIG. 9-2B EX, AG, VA, PT, R (DRAFT CONTROL)

NO.	PART NO.	PART NAME & DESCRIPTION	QTY			APP. NO	REM.
			A	B	C		
1~3	A1824025	CLEVIS ASSY	1	1	1		
1	A1824030	CLEVIS	1	1	1		
2	3A1822006	ROLLER	2	2	2		
3	S814006003	RING, SNAP (E)	4	4	4		
4	2A1822012	PIPE, LUBRICATE	1	1	1		
5	A1822151	VALVE, CONTROL	1	1	1		
6	S155085033	BOLT, HEX	3	3	3		
7	S801012020	O-RING	2	2	2		
8	S313080043	NUT, HEX	3	3	3		
9	S163085043	BOLT, HEX	1	1	1		
10	A1822086	SPRING	1	1	1		
11	A1824028	LINK	1	1	1		
12	3A1822010	LINK (E)	1	1	1		
13	A1822031	PIN	1	1	1		
14	S361080013	WASHER, SPRING	1	1	1		

LIFT CONTROL VALVE & LINK

FIG. 9-2B

G. 822



LIFT CONTROL VALVE & LINK

A-LT280D, B-LT300D, C-LT360D

A-LT280D, B-LT300D, C-LT360D

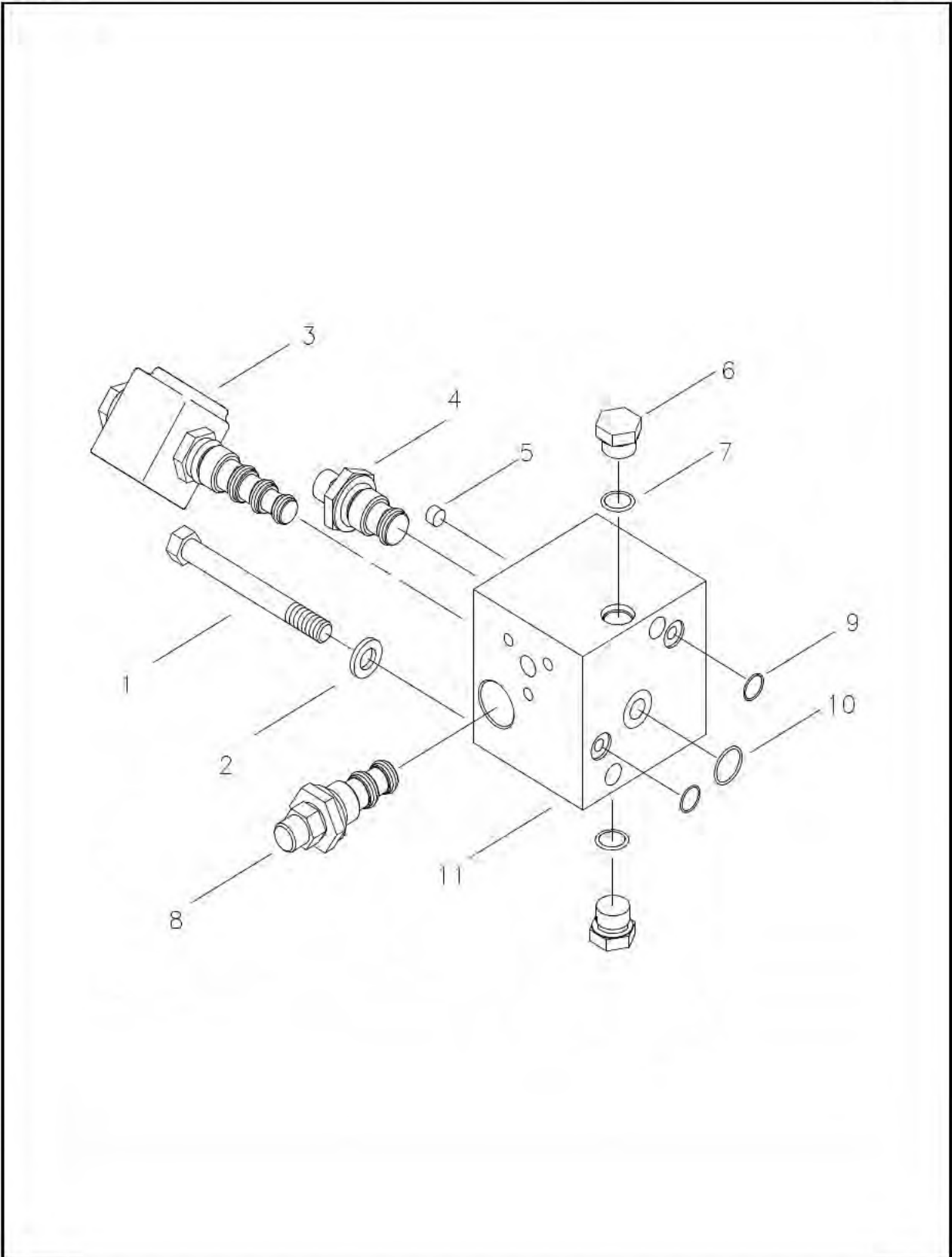
FIG. 9-2B PT (DRAFT CONTROL)

NO.	PART NO.	PART NAME & DESCRIPTION	QTY			APP. NO	REM.
			A	B	C		
1~3	A1824027	CLEVIS ASSY	1	1	1		
1	A1824030	CLEVIS	1	1	1		
2	3A1822006	ROLLER	2	2	2		
3	S814006003	RING, SNAP (E)	4	4	4		
4	2A1822012	PIPE, LUBRICATE	1	1	1		
5	A1822151	VALVE, CONTROL	1	1	1		
6	S155085033	BOLT, HEX	3	3	3		
7	S801012020	O-RING	2	2	2		
8	S313080043	NUT, HEX	3	3	3		
9	S163085043	BOLT, HEX	1	1	1		
10	A1822086	SPRING	1	1	1		
11	A1824028	LINK	1	1	1		
12	3A1822010	LINK (E)	1	1	1		
13	A1822031	PIN	1	1	1		
14	S361080013	WASHER, SPRING	1	1	1		

TM CONTROL VALVE

FIG. 9-3

G. 822



TM CONTROL VALVE

A-LT280D, B-LT300D, C-LT360D

A-LT280D, B-LT300D, C-LT360D

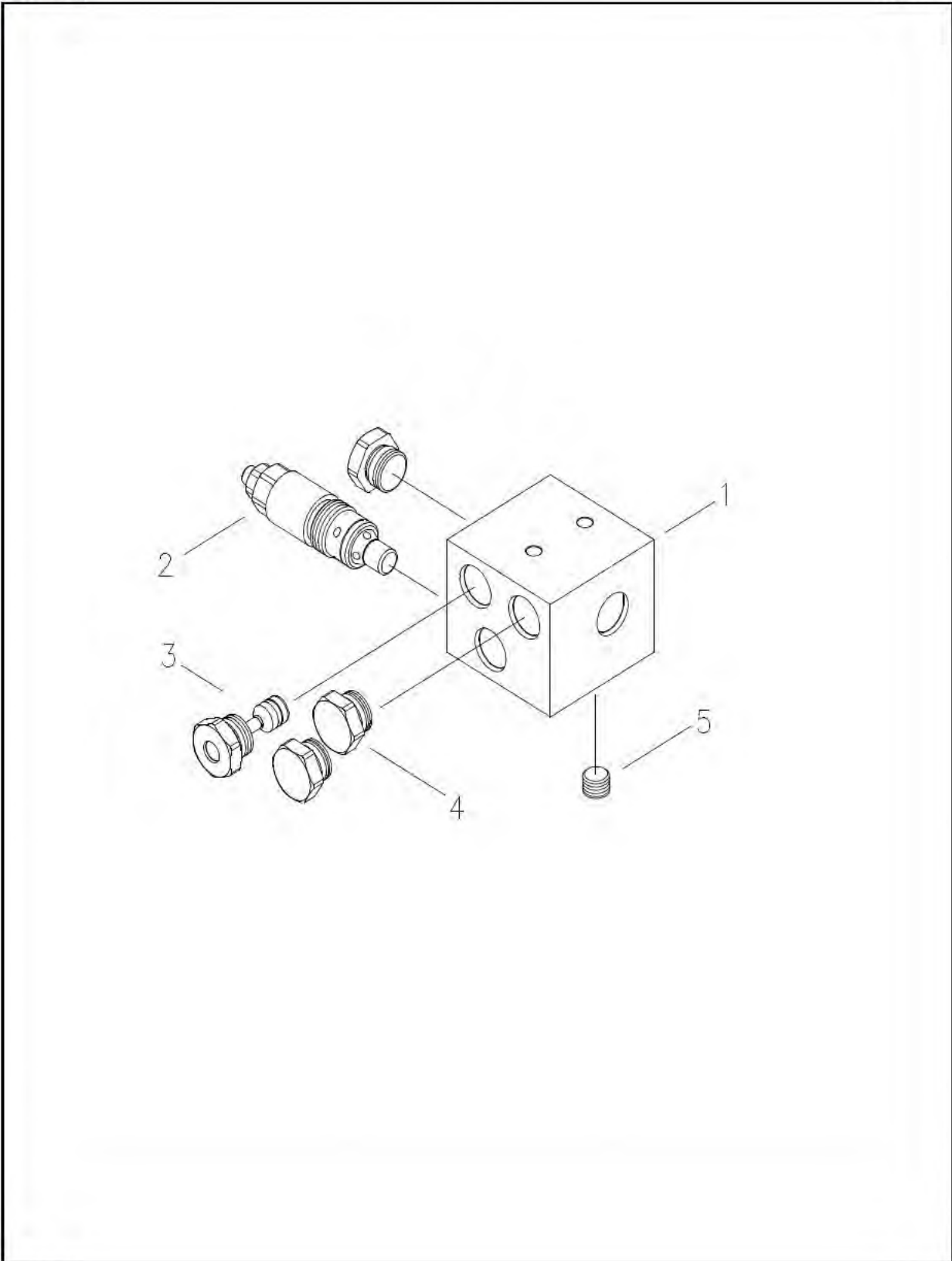
FIG. 9-3 EX, AG, VA, PT, R

NO.	PART NO.	PART NAME & DESCRIPTION		QTY			APP. NO	REM.
				A	B	C		
1	S107109043	BOLT, HEX	M10×1.25×90	2	*	2		
2	S361100013	WASHER, SPRING	Φ18.4×Φ10.2×2.5t	2	*	2		
3~11	A1822089	IND . PTO VAVLE ASSY		1	*	1		
3	A1822091	VAVLE, SOLENOID		1	*	1		
4	A1822105	VALVE, SEQUENCE		1	*	1		
5	A1822095	ORIFICE	Φ1.3	1	*	1		
6	A1822094	PLUG	PF1/4	2	*	2		
7	S801011010	O-RING	D10.8x2.4	2	*	2		
8	A1822093	REDUCING VALVE		1	*	1		
9	S801011011	O-RING	D9.8x2.4	2	*	2		
10	S801018010	O-RING	D17.8x2.4	1	*	1		
11	A1822090	BODY, PTO VALVE		1	*	1		

FRONT OUTLET & LOADER VALVE

FIG. 9-4

G. 822



FRONT OUTLET & LOADER VALVE

A-LT280D, B-LT300D, C-LT360D

A-LT280D, B-LT300D, C-LT360D

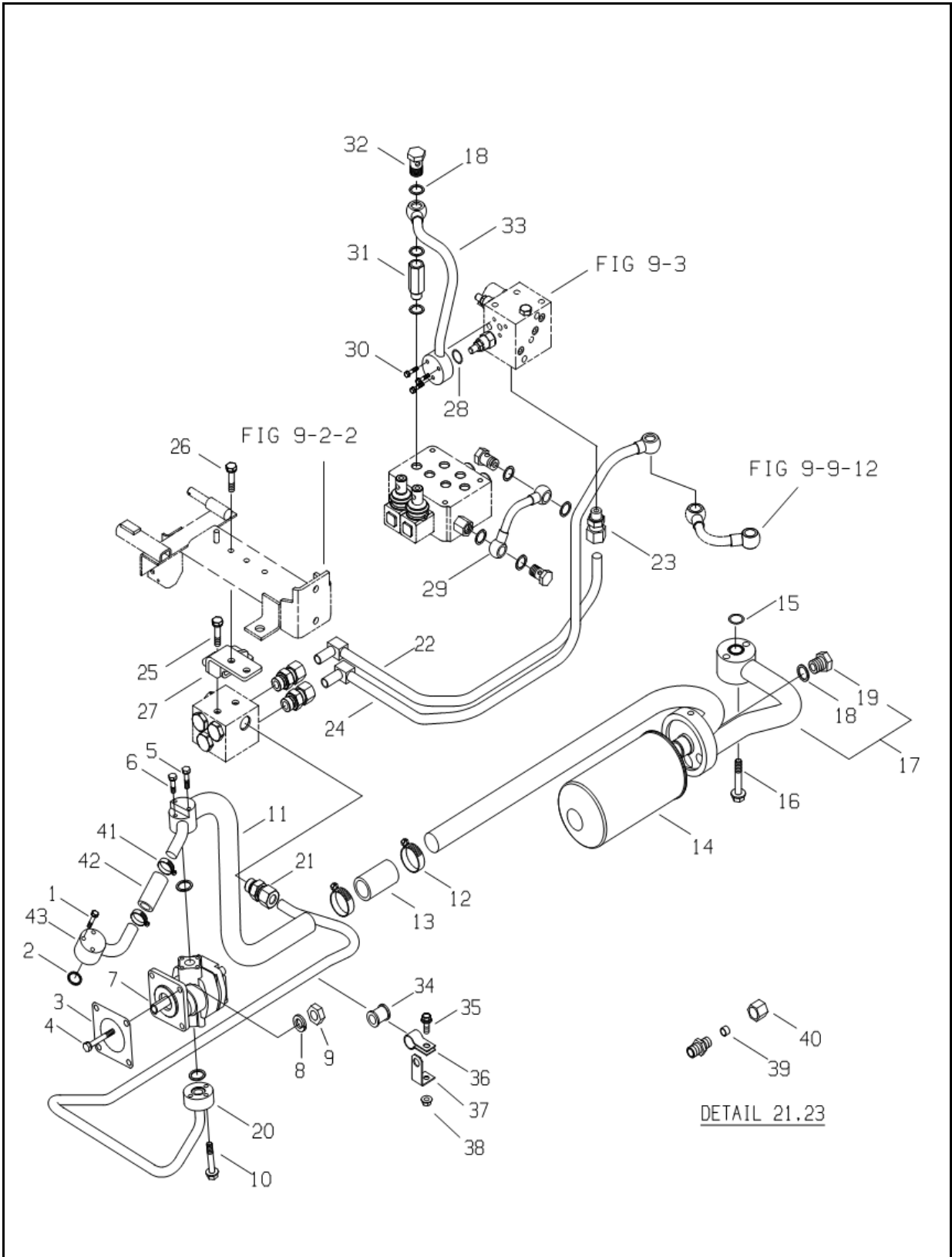
FIG. 9-4 PT, VA, AG

NO.	PART NO.	PART NAME & DESCRIPTION		QTY			APP. NO	REM.
				A	B	C		
1~5	A1822127	OUTLET VALVE ASSY		1	*	1		
1	A1822128	VALVE BLOCK		1	*	1		
2	A1822077	VALVE, RELIEF		1	*	1		
3	A1822131	PLUG, CARRY OVER		1	*	1		
4	A5001244	PLUG	PF1/2	3	*	3		
5	A0610168	PLUG	PT1/4	1	*	1		

HYDRAULIC LINE

FIG. 9-5F

G. 823



HYDRAULIC LINE

A-LT280D, B-LT300D, C-LT360D

A-LT280D, B-LT300D, C-LT360D

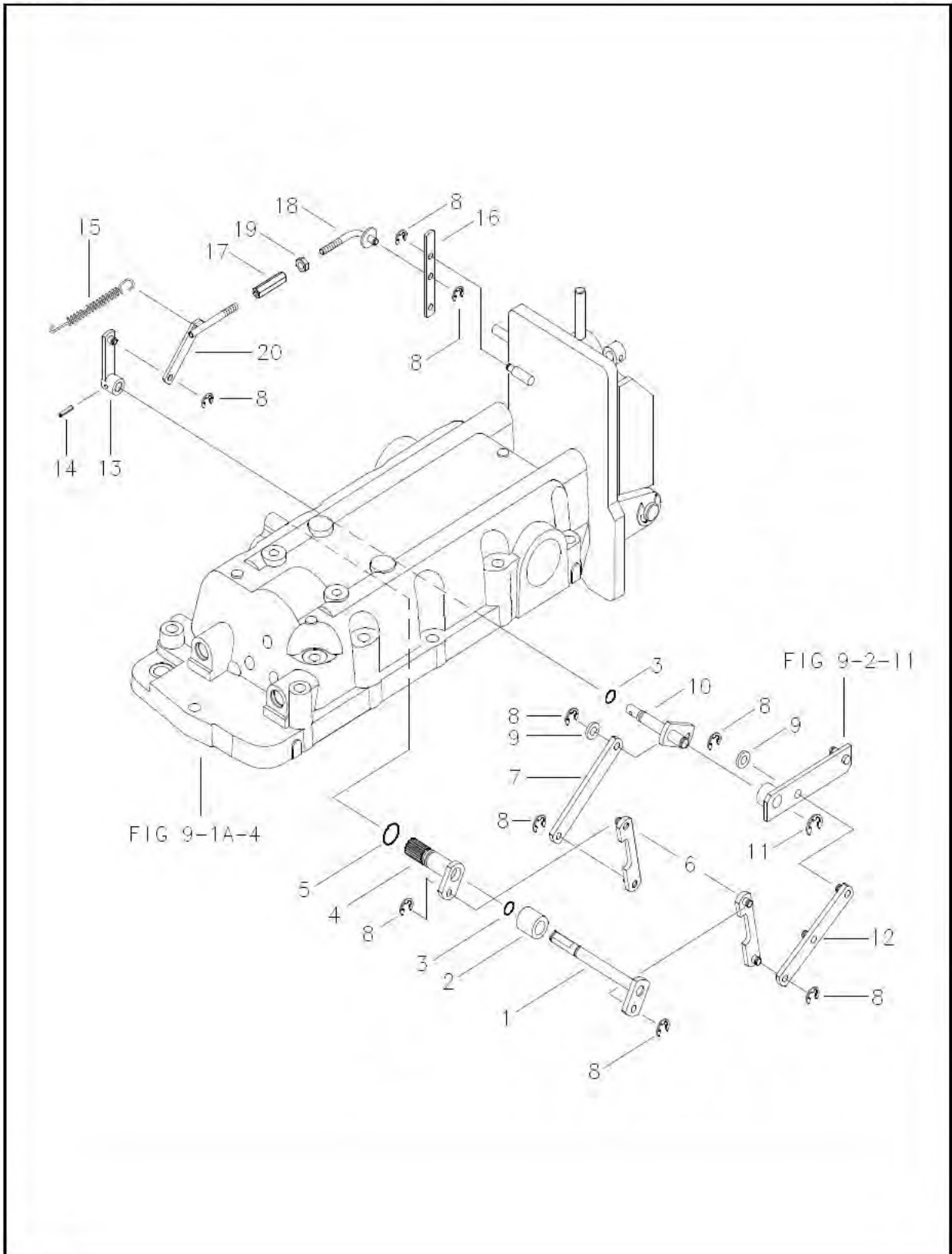
FIG. 9-5F AG (INDP, F/OUTLET)

NO.	PART NO.	PART NAME & DESCRIPTION		QTY			APP. NO	REM.
				A	B	C		
1	S153064533	BOLT, HEX	M6×1.0×45	3	*	3		
2	S801018010	O-RING	D17.8×D2.4	3	*	3		
3	3A1823010	GASKET, PUMP	0.6t	1	*	1		
4	A1970325	BOLT, HEX . SMALL	M8×1.25×150	2	*	2		
5	S153065033	BOLT, HEX	M6×1.0×55	2	*	2		
6	S153064033	BOLT, HEX	M6×1.0×40	1	*	1		
7	A1823279	PUMP, HYD . LIFT	12cc/rev	1	*	1		
8	S361080013	WASHER, SPRING	D8.2x2t	4	*	4		
9	S313080043	NUT, HEX . S 2-TY	M8×1.25	4	*	4		
10	S153063033	BOLT, HEX	M6×1.0×30	3	*	3		
11	A1823534	PIPE, F/SUCTION		1	*	1		
12	A1970201G	CLAMP, HOSE	27-50	2	*	2		
13	A1823059	HOSE, SUCTION		1	*	1		
14	A1823315	FILTER, HYD		1	*	1		
15	S804026010	O-RING	D25.5×2.0	1	*	1		
16	S154105533	BOLT, HEX	M10×1.25×55	2	*	2		
17	A1823579	PIPE, R/SUCTION		1	*	1		
18	A1823245	SEAL, BONDED	OD24×ID16.8×1.5t	8	*	8		
19	A1823290	PLUG	PF3/8	1	*	1		
20,21	A1823486	F/PRESSURE PIPE ASSY		1	*	1		
20	A1823487	PIPE, FRONT PRESSURE		1	*	1		
21	A1823144	JOINT	BOM15-04G	3	*	3		
21~23	A1823490	M/PRESSURE PIPE ASSY		1	*	1		
22	A1823491	PIPE, M/PRESSURE PIPE		1	*	1		
23	A1823189	JOINT	BOM15-03G	1	*	1		
21,24	A1823492	F/DRAIN PIPE ASSY		1	*	1		
24	A1823493	PIPE, F/OUTLET V/V DRAIN		1	*	1		
25	S153082033	BOLT, HEX W/WASHER	M8X1.25X20	2	*	2		
26	S153082533	BOLT, HEX W/WASHER	M8X1.25X25	2	*	2		
27	A1822158	BRACKET, F/OUTLET VALVE		1	*	1		
28	S801016010	O-RING	D15.8×D2.4	1	*	1		
29	A1823182	PIPE, R/PRESSURE	Φ12X1.0t	1	*	1		
30	S153063533	BOLT, HEX	M6×1.0×35	3	*	3		
31	A1827157	CONNECTOR		1	*	1		
32	A1630201	BOLT, UNION	PF3/8	3	*	3		
33	A1823181	PIPE, AUX/PRESSURE	Φ15X1.5t	1	*	1		
34	3A1823029	CUSHION , CLAMP		1	*	1		
35	S155082533	BOLT, HEX	M8×1.25×25	1	*	1		
36	A1823121	CLAMP, PIPE		1	*	1		
37	3A1823032	BRACKET, CLAMP		1	*	1		
38	S345080013	NUT, FLANGE B-TY	M8×1.25	1	*	1		
39	A1823033	SLEEVE	D15	4	*	4		
40	A1823034	NUT, HEX		4	*	4		
41	A1970201D	CLAMP, HOSE		2	*	2		
42	A1823331	HOSE, F/SUCTION PIPE		1	*	1		

HYDRAULIC LINKAGE

FIG. 9-6B

G. 824



HYDRAULIC LINKAGE

A-LT280D, B-LT300D, C-LT360D

A-LT280D, B-LT300D, C-LT360D

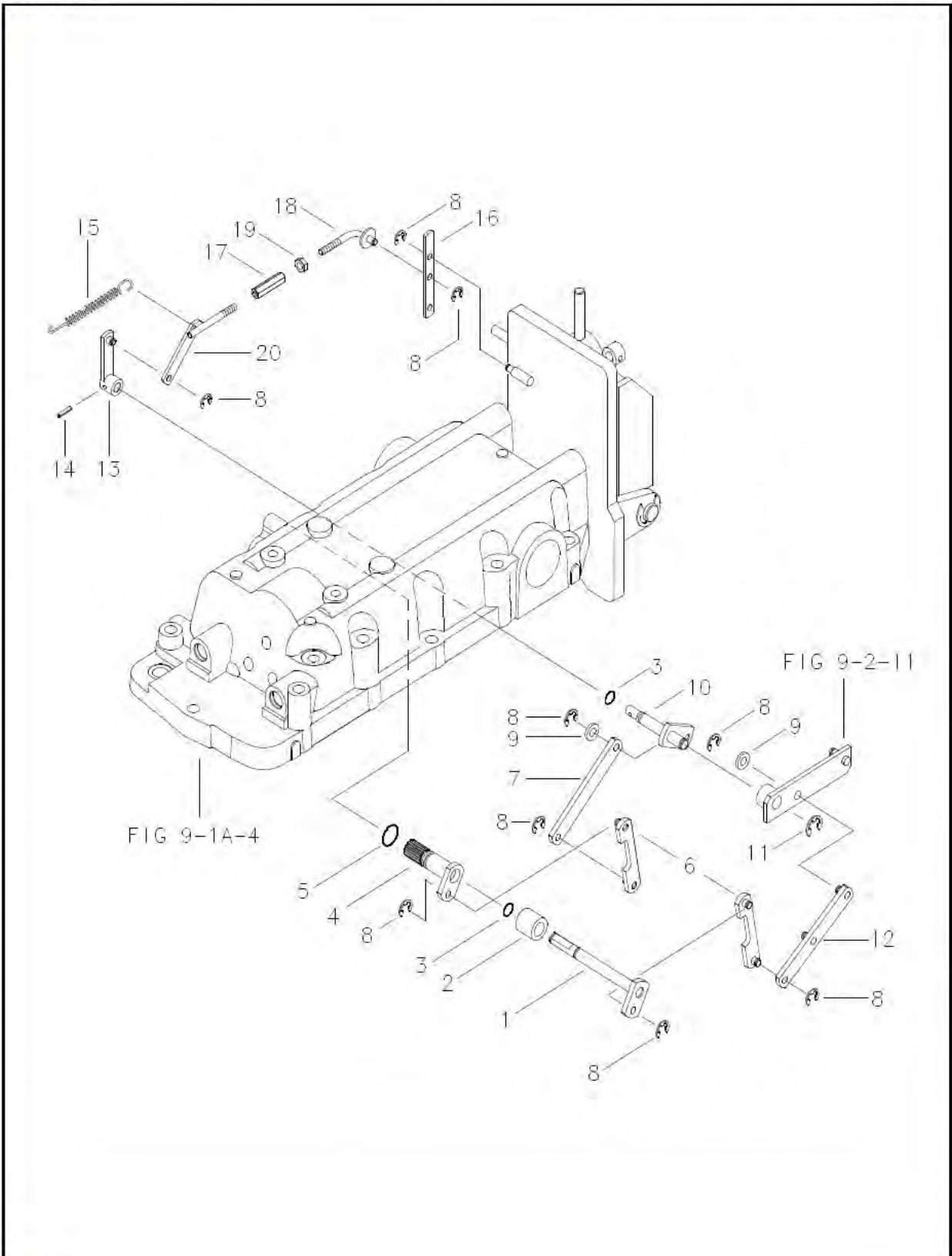
FIG. 9-6B EX, AG, VA, PT, R (DRAFT CONTROL)

NO.	PART NO.	PART NAME & DESCRIPTION		QTY			APP. NO	REM.
				A	B	C		
1	A1824020	SHAFT, POSITION		1	1	1		
2	A1824029	SPACER	D20×D12×23.5	1	1	1		
3	S801009010	O-RING	D8.8×19	2	2	2		
4	A1824021	SHAFT, DRAFT		1	1	1		
5	S801016010	O-RING	D15.8×2.4	1	1	1		
6	3A1824003	LINK (B)		2	2	2		
7	A1824097	LINK, DRAFT		1	1	1		
8	S814006003	RING, SNAP	D6	9	9	9		
9	S364080013	WASHER, PLAIN	D17×D8.4×1.6t	2	2	2		
10	A1824022	SHAFT		1	1	1		
11	S814009003	RING, SNAP	D9	1	1	1		
12	A1824026	LINK, POSITION		1	1	1		
13	A1824019	ARM		1	1	1		
14	S446042012	PIN, SPRING	D4×20	1	1	1		
15	A1824035	SPRING		1	1	1		
16	3A1824011	LINK, PAC		1	1	1		
17	3A1824014	JOINT		1	1	1		
18	3A1824010	ROD (A)		1	1	1		
19	S313080043	NUT, HEX		1	1	1		
20	3A1824007	ROD (B)		1	1	1		

HYDRAULIC LINKAGE

FIG. 9-6B

G. 824



HYDRAULIC LINKAGE

A-LT280D, B-LT300D, C-LT360D

A-LT280D, B-LT300D, C-LT360D

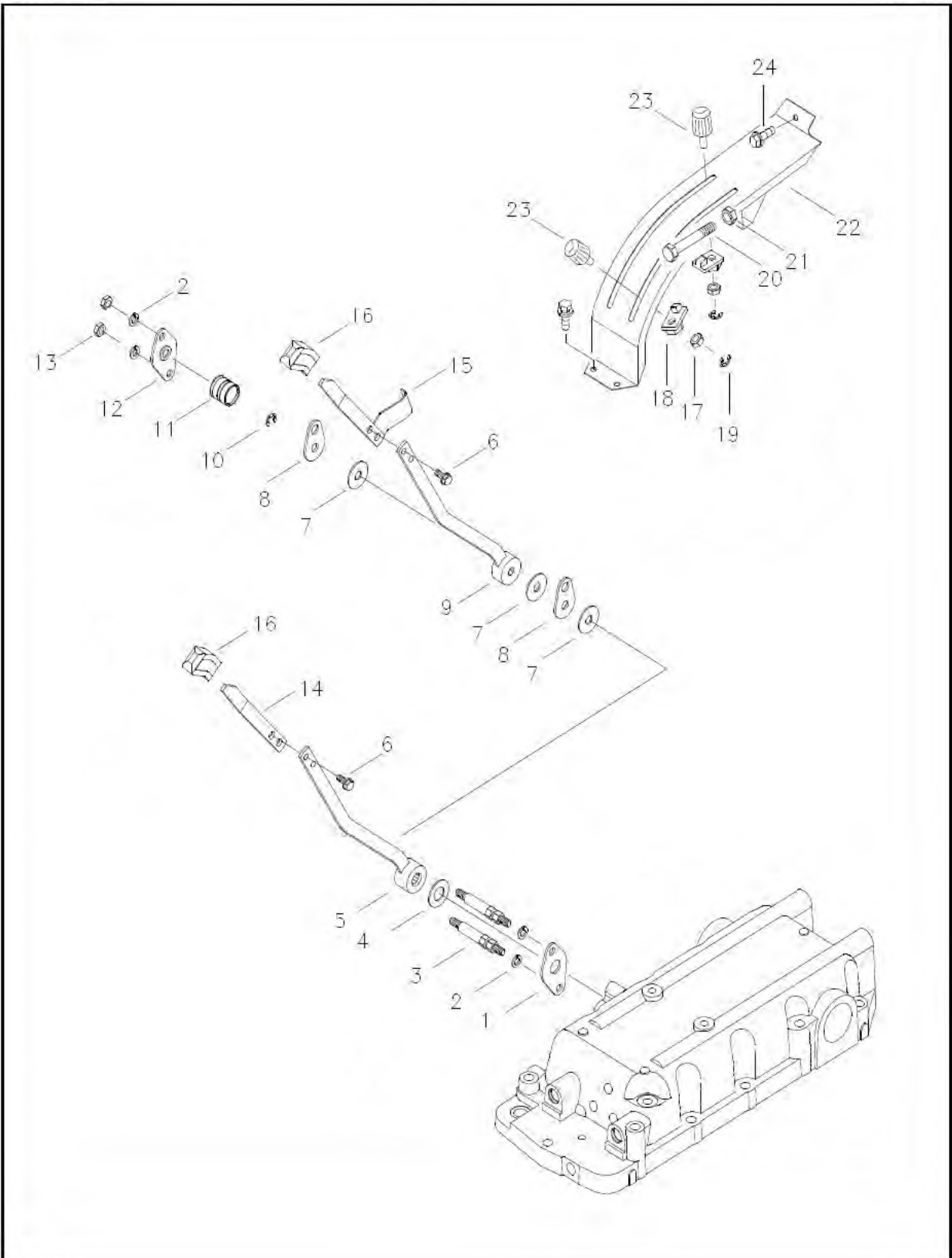
FIG. 9-6B PT (DRAFT CONTROL)

NO.	PART NO.	PART NAME & DESCRIPTION		QTY			APP. NO	REM.
				A	B	C		
1	A1824020	SHAFT, POSITION		1	1	1		
2	A1824029	SPACER	D20×D12×23.5	1	1	1		
3	S801009010	O-RING	D8.8×19	2	2	2		
4	A1824021	SHAFT, DRAFT		1	1	1		
5	S801016010	O-RING	D15.8×2.4	1	1	1		
6	3A1824003	LINK (B)		2	2	2		
7	A1824027	LINK, DRAFT		1	1	1		
8	S814006003	RING, SNAP	D6	9	9	9		
9	S364080013	WASHER, PLAIN	D17×D8.4×1.6t	2	2	2		
10	A1824022	SHAFT		1	1	1		
11	S814009003	RING, SNAP	D9	1	1	1		
12	A1824026	LINK, POSITION		1	1	1		
13	A1824019	ARM		1	1	1		
14	S446042012	PIN, SPRING	D4×20	1	1	1		
15	A1824035	SPRING		1	1	1		
16	3A1824011	LINK, PAC		1	1	1		
17	3A1824014	JOINT		1	1	1		
18	3A1824010	ROD (A)		1	1	1		
19	S313080043	NUT, HEX		1	1	1		
20	3A1824007	ROD (B)		1	1	1		

HYDRAULIC CONTROL LEVER

FIG. 9-7B

G. 825



HYDRAULIC CONTROL LEVER

A-LT280D, B-LT300D, C-LT360D

A-LT280D, B-LT300D, C-LT360D

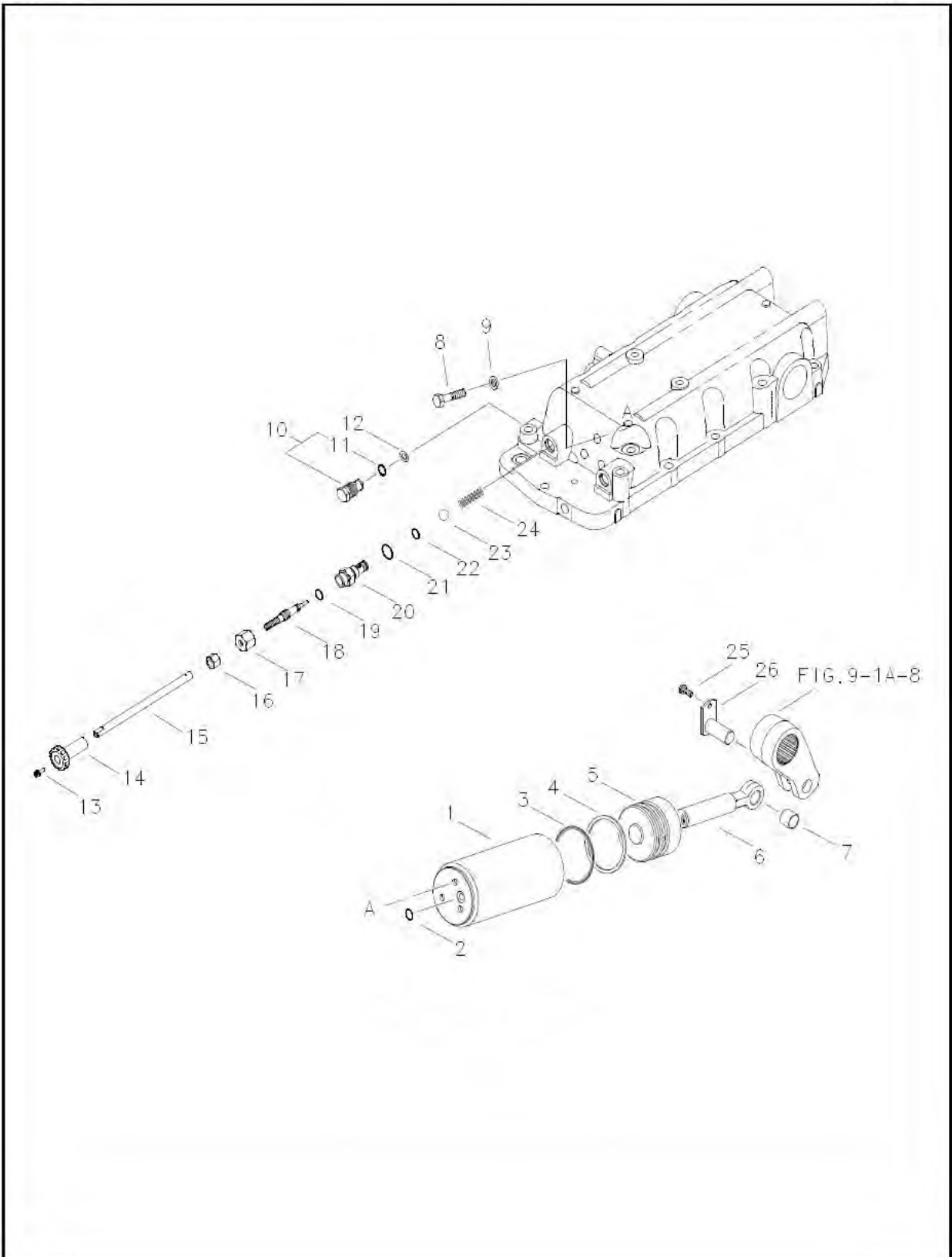
FIG. 9-7B EX, AG, VA, PT, R (DRAFT CONTROL)

NO.	PART NO.	PART NAME & DESCRIPTION		QTY			APP. NO	REM.
				A	B	C		
1	A1825033	COVER		1	1	1		
2	S361100013	WASHER, SPRING	D10.2×2.5t	4	4	4		
3	A1825085	SUPPORT, LEVER		2	2	2		
4	A1825023	PLATE, FRICTION(L)	D21×2t	1	1	1		
5	A1825059	LEVER, DRAFT CONTROL		1	1	1		
6	S155082033	BOLT, HEX	M8×1.25×20	4	4	4		
7	A1825024	PLATE, FRICTION(S)	D13×2t	3	3	3		
8	A1825053	PLATE, LOCKING		2	2	2		
9	A1825058	LEVER, POSITION		1	1	1		
10	S810012001	RING, SNAP	D11.1x1.0t	1	1	1		
11	A1825086	SPRING		1	1	1		
12	A1825034	COVER		1	1	1		
13	S302100043	NUT, HEX	M10×1.25	2	2	2		
14	A1825060	EXTENTION		1	1	1		
15	A1825061	EXTENTION(NON-SWITCH)		1	1	1		
16	A1825145	EXTENTION(SWITCH)		*	*	*		
17	A1970241	GRIP		2	2	2		
18	S305080043	NUT, HEX	M8x1.25	4	4	4		
19	A1825057	STOPPER, LEVER		4	4	4		
20	S814006003	RING, SNAP	D6x0.8t	4	4	4		
21	S163085043	BOLT, HEX	M8x1.25x50	2	2	2		
22	S313080013	NUT, HEX	M8x1.25	2	2	2		
23	A1825159	GUIDE, HYD. LEVER		1	1	1		
24	A1825056	GRIP		4	4	4		
25	S159081633	BOLT, HEX	M8x1.25x16	3	3	3		

HYDRAULIC CYLINDER

FIG. 9-8

G. 826



HYDRAULIC CYLINDER

A-LT280D, B-LT300D, C-LT360D

A-LT280D, B-LT300D, C-LT360D

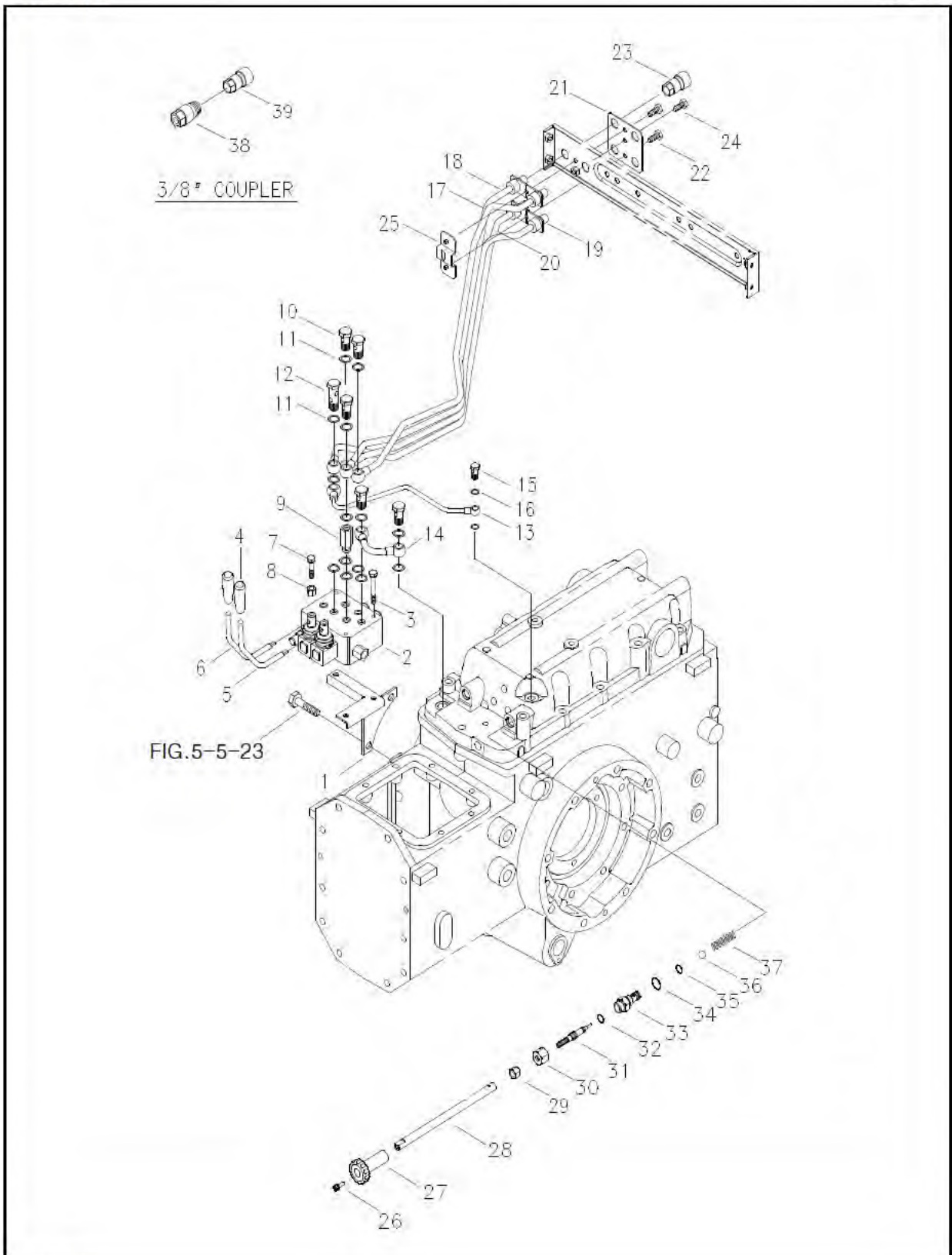
FIG. 9-8

NO.	PART NO.	PART NAME & DESCRIPTION		QTY			APP. NO	REM.
				A	B	C		
1	A1826032	CYLINDER, HYD	Φ80	1	1	1		
2	S801014020	O-RING	Φ13.8×2.4	1	1	1		
3	A1826085	O-RING	Φ69.6×5.7	2	2	2		
4	A1826048	RING, BACKUP	Φ80×Φ70×3t	2	2	2		
5	3A1826003	PISTON, HYD	Φ80	1	1	1		
6	A1826033	ROD, PISTON		1	1	1		
7	3A1970002	BUSHING	Φ22×Φ25×20	1	1	1		
8	S103125043	BOLT, HEX	M12×1.25×50	3	3	3		
9	S361120013	WASHER, SPRING	Φ12.2×3t	3	3	3		
10	A1826037	VALVE, SAFETY		1	1	1		
11	S801018010	O-RING	D17.8×2.4	1	1	1		
12	A1826036	SEAL	Φ10.5×Φ18×1t	1	1	1		
13	S157051633	BOLT, HEX.	M6X1.0X16	1	1	1		
14	A1970353	KNOB		1	1	1		
15	A1826130	ROD		1	1	1		
16	S345080013	NUT, FLANGE B-TY	M8×1.25	1	1	1		
17~22	A1826078	FLOW, REGULATOR		1	1	1		
17	A1826081	NUT, HEX	M18×1.25	1	1	1		
18	A1826080	SCREW, ADJUST		1	1	1		
19	S801006020	O-RING	Φ5.8×1.9	1	1	1		
20	A1826079	BODY, REGULATOR		1	1	1		
21	S801014020	O-RING	D13.8×2.4	1	1	1		
22	S801010020	O-RING	D9.8×1.9	1	1	1		
23	A20063480	BALL, STEEL	3/8"	1	1	1		
24	A1826058	SPRING	Φ8.6×1.4	1	1	1		
25	S153081633	BOLT, HEX	M8×1.25×16	1	1	1		
26	3A1826001	PIN	Φ22	1	1	1		

REMOTE CONTROL VALVE & LINE

FIG. 9-9B

G. 827



REMOTE CONTROL VALVE & LINE

A-LT280D, B-LT300D, C-LT360D

A-LT280D, B-LT300D, C-LT360D

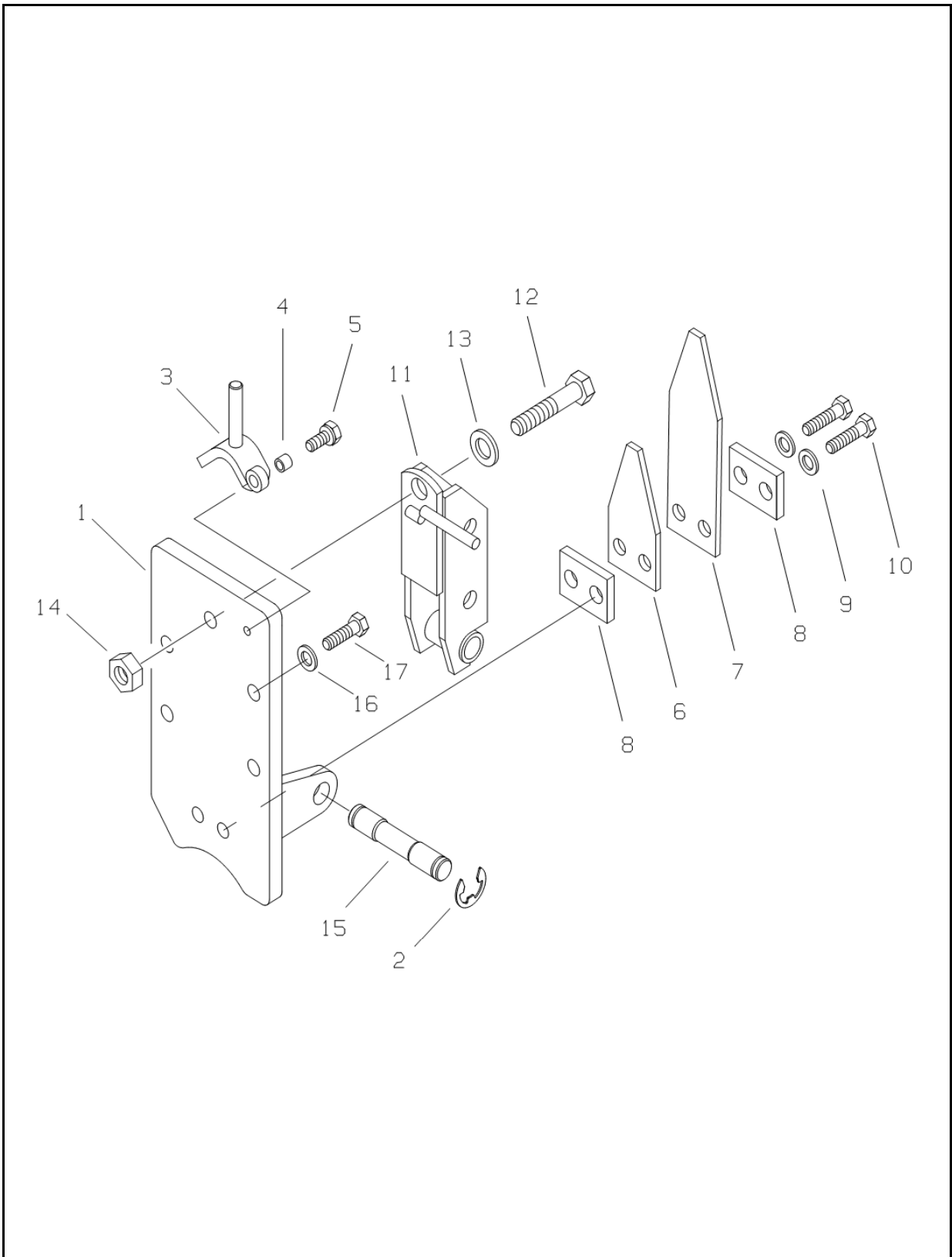
FIG. 9-9B AG, VA, PT (F/OUTLET)

NO.	PART NO.	PART NAME & DESCRIPTION		QTY			APP. NO	REM.
				A	B	C		
1	A1827143	BRACKET, VALVE		1	1	1		
2	A1827260	VALVE, REMOTE CON.	SD5-2	1	1	1		W/O RELIEF
3	S153086033	BOLT, HEX	M8×1.25×60	3	3	3		
4	A1970242	GRIP, VALVE LEVER		2	2	2		
5	A1827145	LEVER(2), VALVE		1	1	1		
6	A1827144	LEVER(1), VALVE		1	1	1		
7	S101102543	BOLT, HEX . SMALL	M10×1.5×25	2	2	2		
8	S305100013	NUT, HEX	M10×1.5	2	2	2		
9	A1827152	CONNECTOR	PF3/8	1	1	1		
10	A1630201	BOLT, UNION	PF3/8	4	4	4		
11	A1823245	SEAL, BONDED	Φ24×Φ16.8×1t	15	15	15		
12	A1827151	BOLT, UNION	PF3/8	2	2	2		
13	A1827154	PIPE, AUX . S/D		1	1	1		
14	A1827150	PIPE, AUX . DRAIN		1	1	1		
15	A1823157	BOLT, UNION	M12×1.75	1	1	1		
16	A1823158	WASHER, COPPER	Φ18×12.2×1t	2	2	2		
17	A1827279	PIPE, 1ST UP	PT 1/2"	1	1	1		
18	A1827281	PIPE, 2ND UP	PT 1/2"	1	1	1		
19	A1827280	PIPE, 1ST DN	PT 1/2"	1	1	1		
20	A1827282	PIPE, 2ND DN	PT 1/2"	1	1	1		
21	A1827167	BRACKET, PIPE		1	1	1		
22	S159082033	BOLT , HEX W/WASHER	M8×1.25×20	2	2	2		
23	A1827177	QUICK COUPLER	PT1/2"	4	4	4		
24	S159081633	BOLT, HEX W/WASHER	M8x1.25x16	1	1	1		
25	A1827196	BRACKET PIPE		1	1	1		
26	S157051633	BOLT, HEX.	M6X1.0X16	1	1	1		
27	A1970353	KNOB		1	1	1		
28	A1826130	ROD		1	1	1		
29	S345080013	NUT . FLANGE B - TY	M8×1.25	1	1	1		
30~35	A1826078	FLOW, REGULATOR		1	1	1		
30	A1826081	NUT, HEX	M18×1.5	1	1	1		
31	A1826080	SCREW, ADJUST		1	1	1		
32	S801006020	O-RING	D5.8×1.9	1	1	1		
33	A1826079	BODY, REGULATOR		1	1	1		
34	S801014020	O-RING	D13.8×2.4	1	1	1		
35	S801010020	O-RING	D9.8×1.9	1	1	1		
36	A20063480	BALL, STEEL	3/8" TAB16306	1	1	1		
37	A1826058	SPRING	Φ8.6×Φ1.4	1	1	1		
38	A1827286	ADAPTER	PT3/8"	4	4	4		
39	A1827168	QUICK COUPLER	PT3/8"	4	4	4		

UPPER LINK BRACKET

FIG. 9-10B

G. 828



UPPER LINK BRACKET

A-LT280D, B-LT300D, C-LT360D

A-LT280D, B-LT300D, C-LT360D

FIG. 9-10B

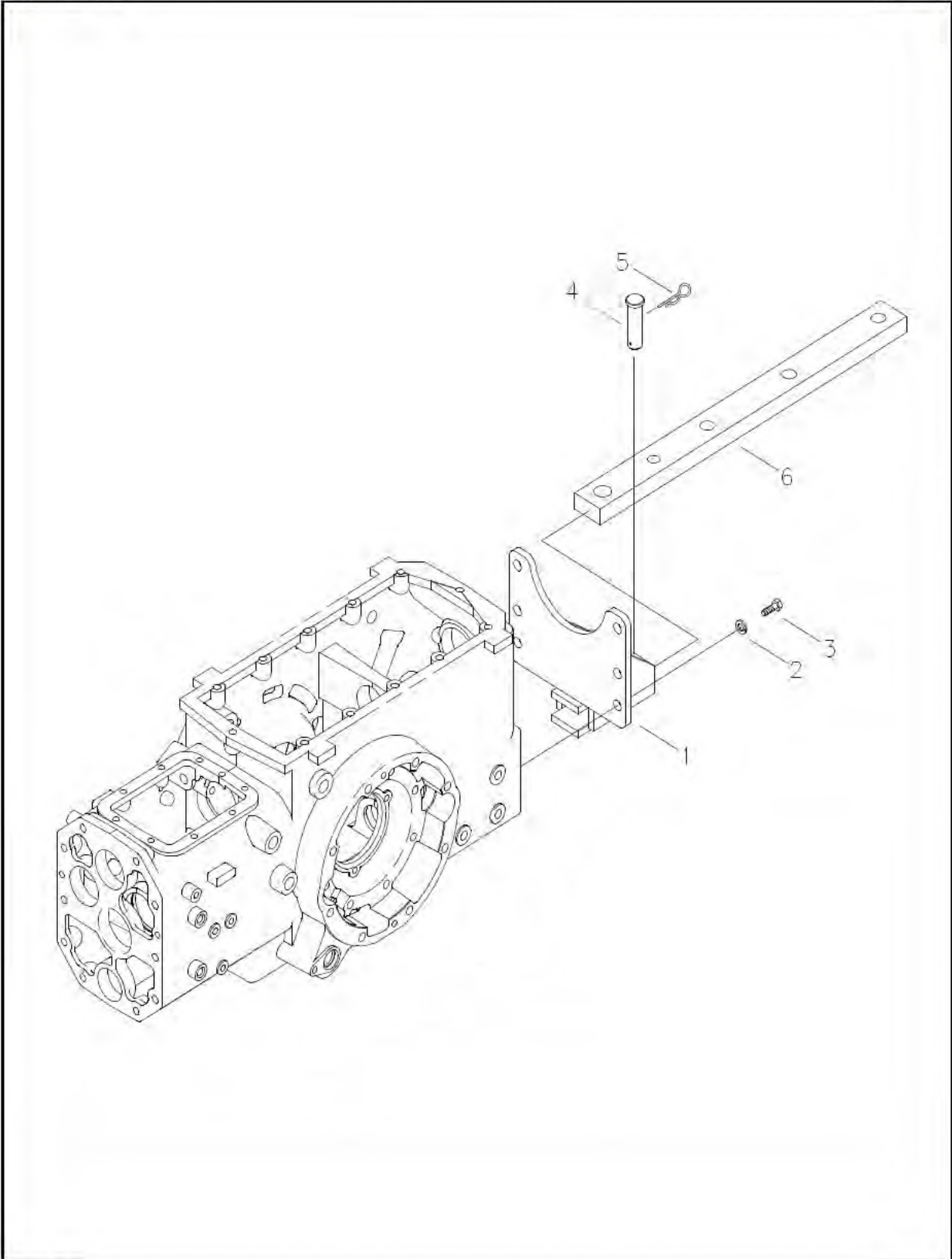
(DRAFT CONTROL)

NO.	PART NO.	PART NAME & DESCRIPTION	QTY			APP. NO	REM.
			A	B	C		
1~15	A1828055	UPPER LINK BRACKET ASSY	1	1	1		
1	A1828034	BRACKET, UPPER LINK	1	1	1		
2	S814015003	RING, SNAP	2	2	2		
3	3A1828010	STOPPER	1	1	1		
4	3A1828014	COLLAR	1	1	1		
5	S155082533	BOLT, HEX. W/WASHER	M8×1.0x25	1	1	1	
6	3A1828021	SPRING, LEAF		1	1	1	
7	3A1828022	SPRING, LEAF		1	1	1	
8	A1828057	PLATE		2	2	2	
9	S361140013	WASHER, SPR.		2	2	2	
10	S107144543	BOLT, HEX.	M14×1.5×45	2	2	2	
11	A1828030	BRACKET		1	1	1	
12	S103167043	BOLT, HEX.	M16×1.5×70	1	1	1	
13	S364160053	WASHER, PLN	D16	1	1	1	
14	S314160013	NUT, HEX.	M16×1.5	1	1	1	
15	3A1828025	PIN	D20	1	1	1	
16	S361140013	WASHER, SPR.		4	4	4	
17	S101143543	BOLT, HEX.	M14×2.0×35	4	4	4	

DRAWBAR HITCH

FIG. 9-11B

G. 891



DRAWBAR HITCH

A-LT280D, B-LT300D, C-LT360D

A-LT280D, B-LT300D, C-LT360D

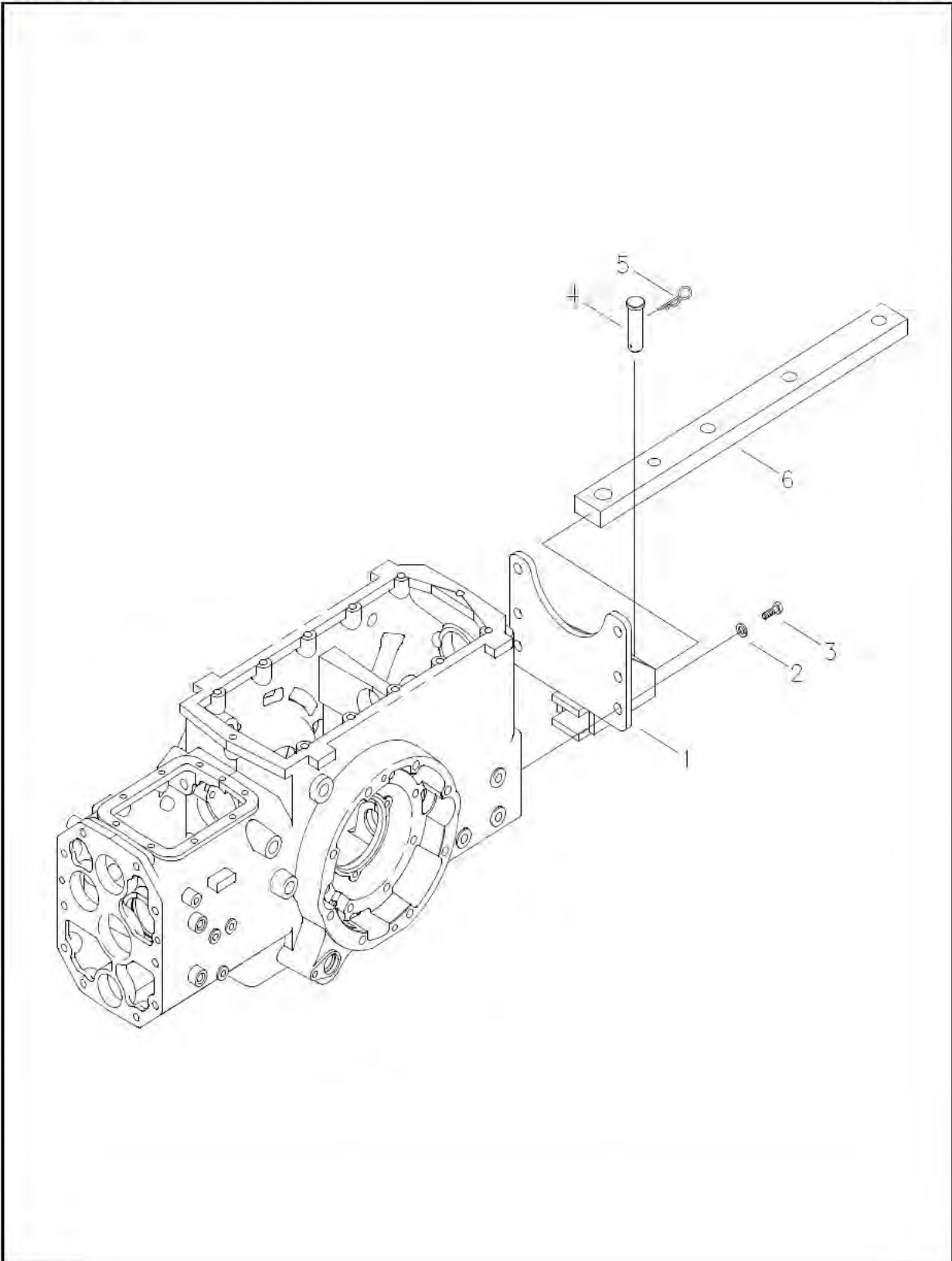
FIG. 9-11B EX, AG (TELESCOPIC DRAWBAR)

NO.	PART NO.	PART NAME & DESCRIPTION	QTY			APP. NO	REM.
			A	B	C		
1	A1891049	SUPPORT, HITCH	1	1	1		
2	S361140013	WASHER, SPRING Φ14.2×Φ24.5×3.5t	6	6	6		
3	S101144043	BOLT, HEX M14×2×40L	6	6	6		
4	A1891033	PIN, CLEVIS Φ21×77	1	1	1		
5	3A1970091	PIN, SNAP Φ28	1	1	1		
6	A1891050	DRAWBAR (ASAE)	1	1	1		

DRAWBAR HITCH

FIG. 9-11B

G. 891



DRAWBAR HITCH

A-LT280D, B-LT300D, C-LT360D

A-LT280D, B-LT300D, C-LT360D

FIG. 9-11B

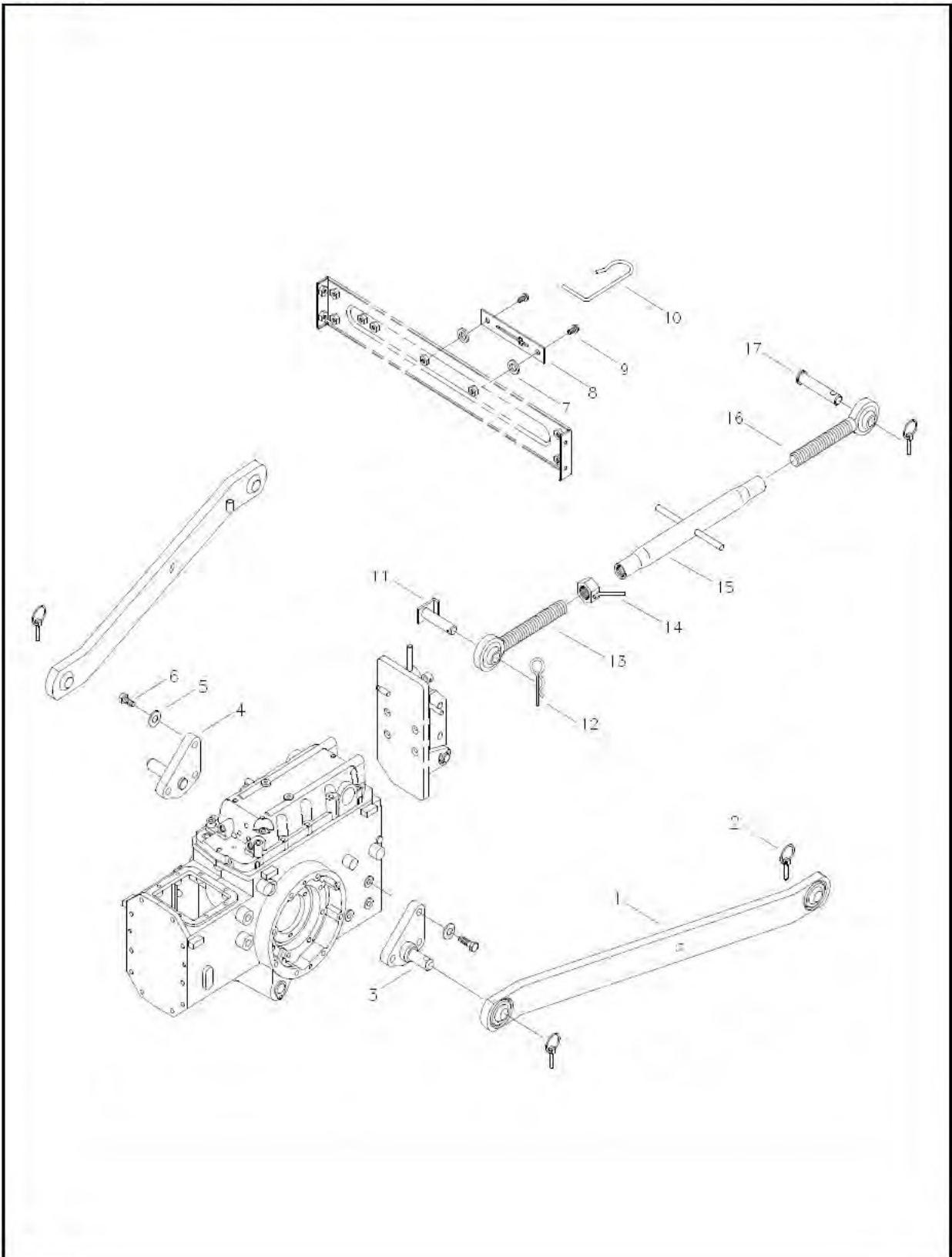
(TELESCOPIC DRAWBAR)

NO.	PART NO.	PART NAME & DESCRIPTION	QTY			APP. NO	REM.
			A	B	C		
1	A1891049	SUPPORT, HITCH	1	1	1		
2	S361140013	WASHER, SPRING $\Phi 14.2 \times \Phi 24.5 \times 3.5t$	6	6	6		
3	S101144043	BOLT, HEX M14×2×40L	6	6	6		
4	A1891033	PIN, CLEVIS $\Phi 21 \times 77$	1	1	1		
5	3A1970091	PIN, SNAP $\Phi 28$	1	1	1		
6	A1891057	DRAWBAR (ASAE)	1	1	1		

UPPER & LOWER LINK

FIG. 9-12

G. 896



UPPER & LOWER LINK

A-LT280D, B-LT300D, C-LT360D

A-LT280D, B-LT300D, C-LT360D

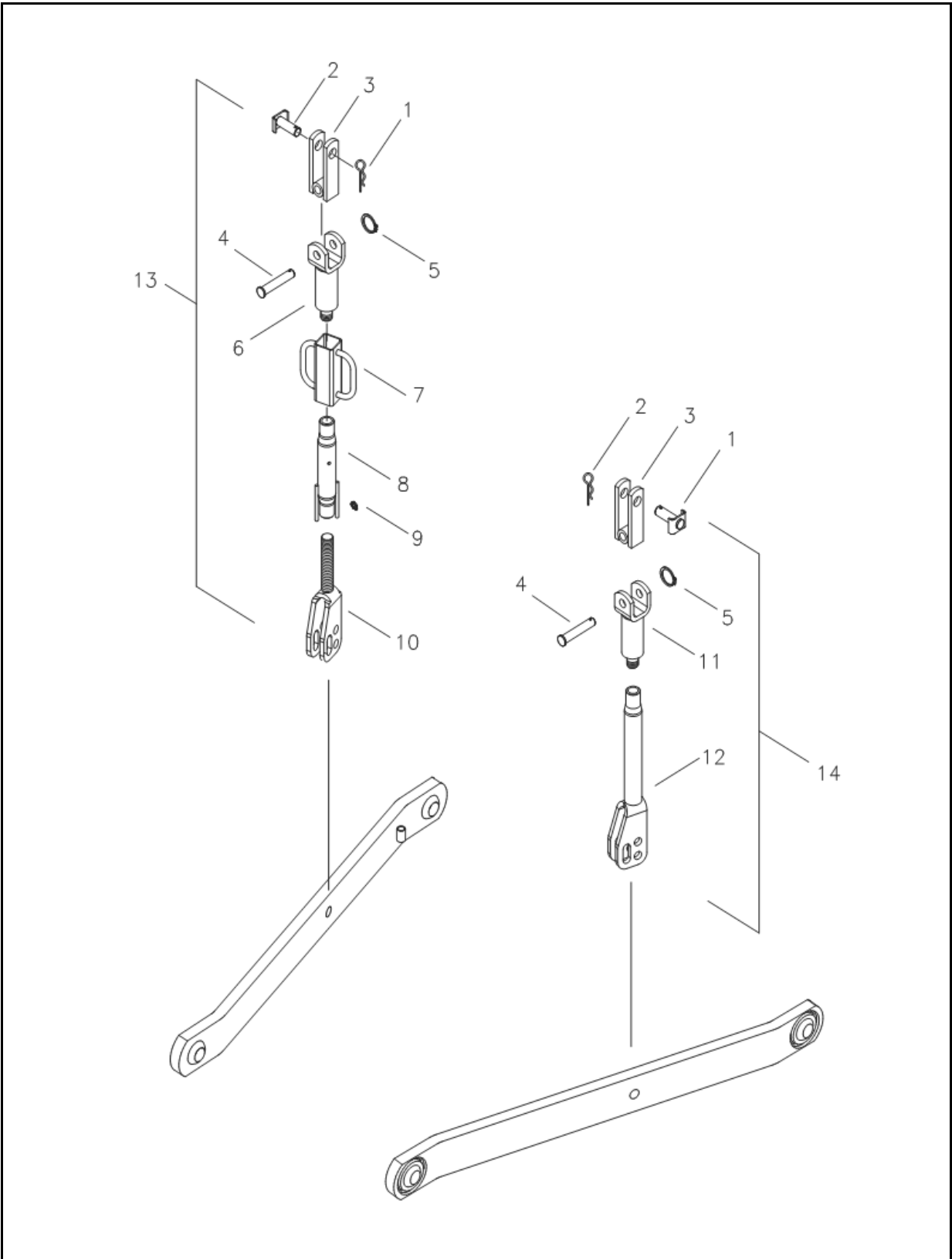
FIG. 9-12

NO.	PART NO.	PART NAME & DESCRIPTION	QTY			APP. NO	REM.
			A	B	C		
1	A1896320	LOW LINK ASSY	2	*	2		
	A1896468	LOW LINK ASSY	*	2	*		
2	3A1896081	PIN, LINK	5	5	5		
3	A1896187	PIN, LOW LINK(LH)	1	1	1		
4	A1896188	PIN, LOW LINK(RH)	1	1	1		
5	S361140013	WASHER, SPR.	D24.5xD14.2x3.5	6	6	6	
6	A1896473	BOLT, HEX	M14×2×40	6	6	6	
7	A1830277	SPACER, GRILL		2	2	2	
8	A1896519	BRACKET, HOOK		1	1	1	
9	S159081633	BOLT, HEX	M8×1.25×16	2	2	2	
10	A1896336	HOOK, UPPER LINK		1	1	1	
11	A1896189	PIN, UPPER LINK(F)	D19	1	1	1	
12	3A1970091	PIN, SNAP	D19	1	1	1	
13~16	3A1896002	UPPER LINK ASSY	470-750	1	1	1	
13	3A1896006	END, UPPER LINK(F)	M24×3	1	1	1	
14	3A1970092	NUT, LOCK	M24×3	1	1	1	
15	2A1896003	TURN BUCKLE	M24×3	1	1	1	
16	3A1896007	END, UPPER LINK(R)	M24×3(CAT1)	1	1	1	
17	3A1896013	PIN, UPPER LINK(R)	D19	1	1	1	

LIFT ROD

FIG. 9-13B

G. 896



LIFT ROD

A-LT280D, B-LT300D, C-LT360D

A-LT280D, B-LT300D, C-LT360D

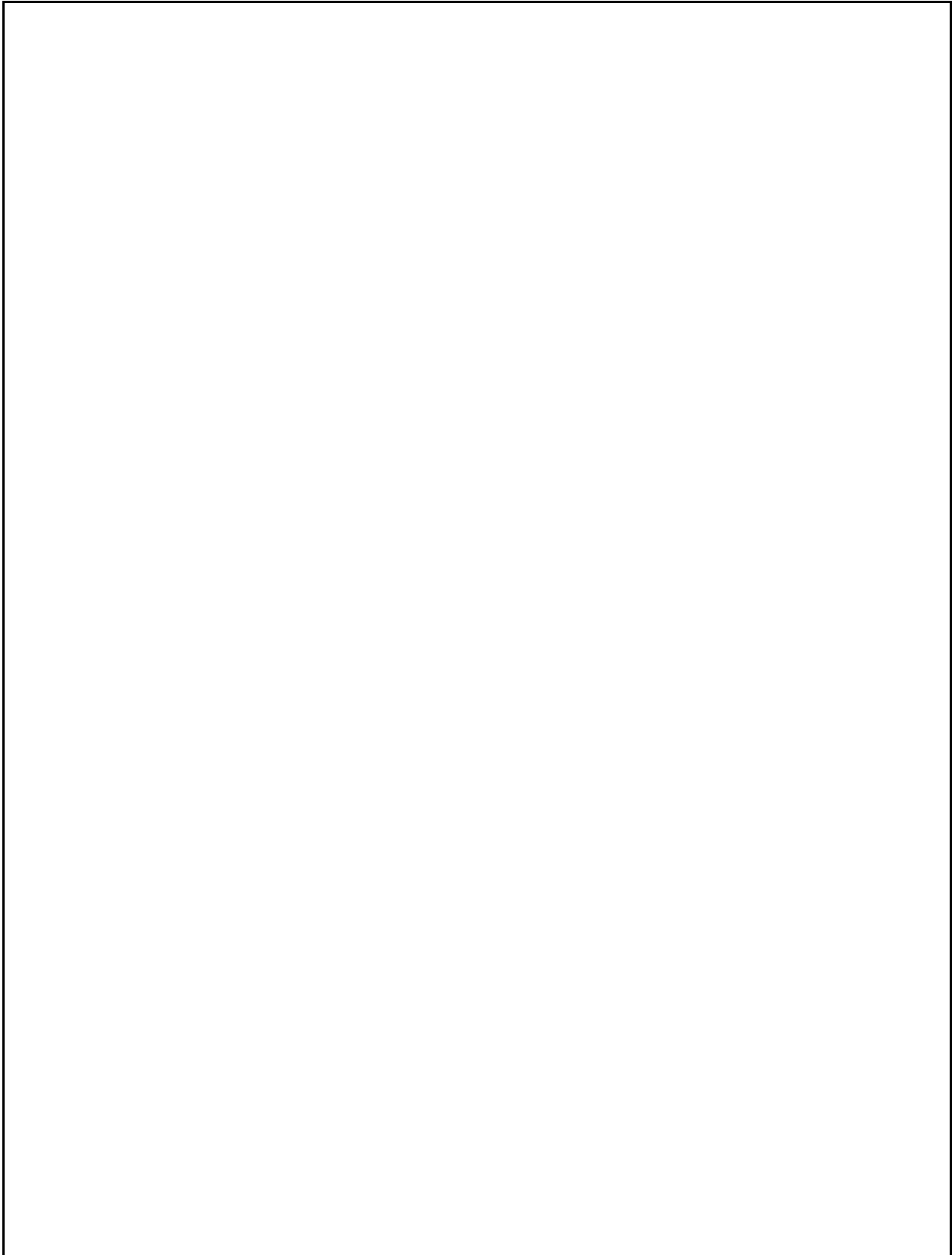
FIG. 9-13B EX, AG, VA, PT, R

NO.	PART NO.	PART NAME & DESCRIPTION		QTY			APP. NO	REM.
				A	B	C		
1	A1896530	PIN, LIFT ROD	Φ19	2	*	2		
2	3A1970091	PIN, SNAP		2	*	2		
3	A1896087	JOINT, LIFT ROD		2	*	2		
4	A1896593	PIN, LIFT ROD	Φ16	2	*	2		
5	S810016003	RING, SNAP		2	*	2		
6	A1896524	ROD, UPPER LIFT		1	*	1		
7	A1896527	HANDLE		1	*	1		
8	A1896526	SLEEVE, LIFT ROD		1	*	1		
9	A0730009	NIPPLE, GREASE	PT1/8	1	*	1		
10	A1896525	ROD, LOWER LIFT		1	*	1		
11	A1896524	ROD, UPPER LIFT		1	*	1		
12	A1896529	ROD, LOWER LIFT		1	*	1		
13	A1896523	LIFT ROD ASSY(RH)		1	*	1		
14	A1896528	LIFT ROD ASSY(LH)		1	*	1		

LIFT ROD

FIG. 9-13A

G. 896



LIFT ROD

A-LT280D, B-LT300D, C-LT360D

A-LT280D, B-LT300D, C-LT360D

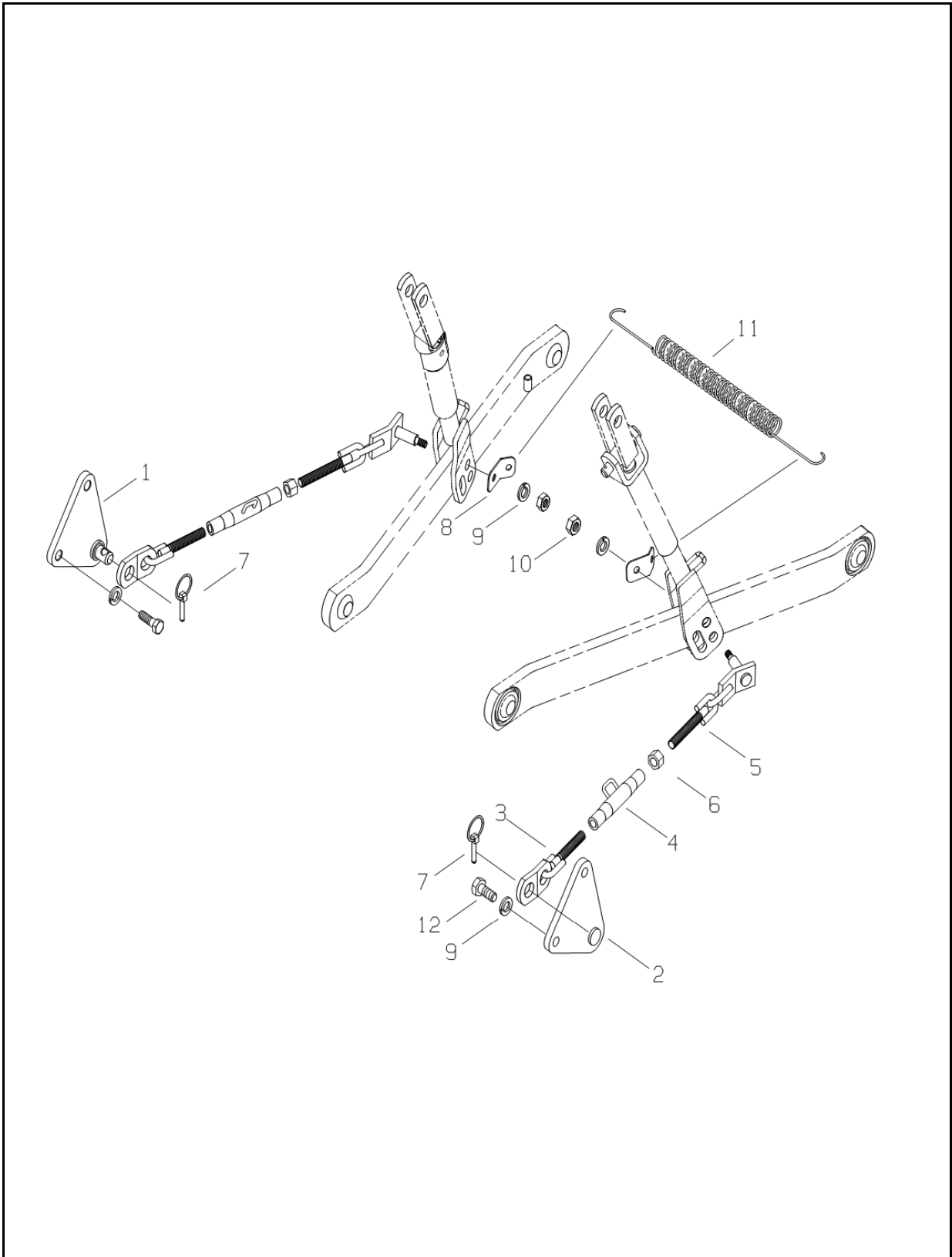
FIG. 9-13A PT

NO.	PART NO.	PART NAME & DESCRIPTION		QTY			APP. NO	REM.
				A	B	C		
1	3A1896058	PIN, LIFT ROD	Φ19	2	2	2		
2	3A1970091	PIN, SNAP		2	2	2		
3	A1896087	JOINT, LIFT ROD		2	2	2		
4	A1896090	PIN, LIFT ROD	Φ16	2	2	2		
5	S364160013	WASHER, PLAIN	OD30xID17×3t	*	1	*		
6	S441404013	PIN, SPLIT	d3.7x40	*	1	*		
7	A1896092	ROD, UPPER LIFT		*	1	*		
8	A1896095	NUT		*	1	*		
9	A1896094	BUCKLE, TURN		*	1	*		
10	S364160013	WASHER, PLAIN	OD30xID17×3t	*	1	*		
11	S363160013	WASHER, PLAIN	OD28xID17×3t	2	*	2		
12	S441403613	PIN, SPLIT	Φ3.7×36	2	*	2		
13	A1896524	ROD, UPPER LIFT		1	*	1		
14	A1896527	HANDLE		1	*	1		
15	A1896526	SLEEVE, LIFT ROD		1	*	1		
16	A0730009	NIPPLE, GREASE	PT1/8	1	*	1		
17	A1896552	ROD, LOWER LIFT		1	*	1		
18	A1896524	ROD, UPPER LIFT		1	*	1		
19	A1896550	ROD, LOWER LIFT		1	*	1		
20	A1896088	ROD, UPPER LIFT		*	1	*		
21	A1896089	ROD, LOWER LIFT		*	1	*		
22	A1896091	LIFT ROD ASSY(RH)		*	1	*		
23	A1896086	LIFT ROD ASSY(LH)		*	1	*		
24	A1896551	LIFT ROD ASSY(RH)	430-540	1	*	1		
25	A1896549	LIFT ROD ASSY(LH)		1	*	1		

CHECK LINK

FIG. 9-14

G. 896



CHECK LINK

A-LT280D, B-LT300D, C-LT360D

A-LT280D, B-LT300D, C-LT360D

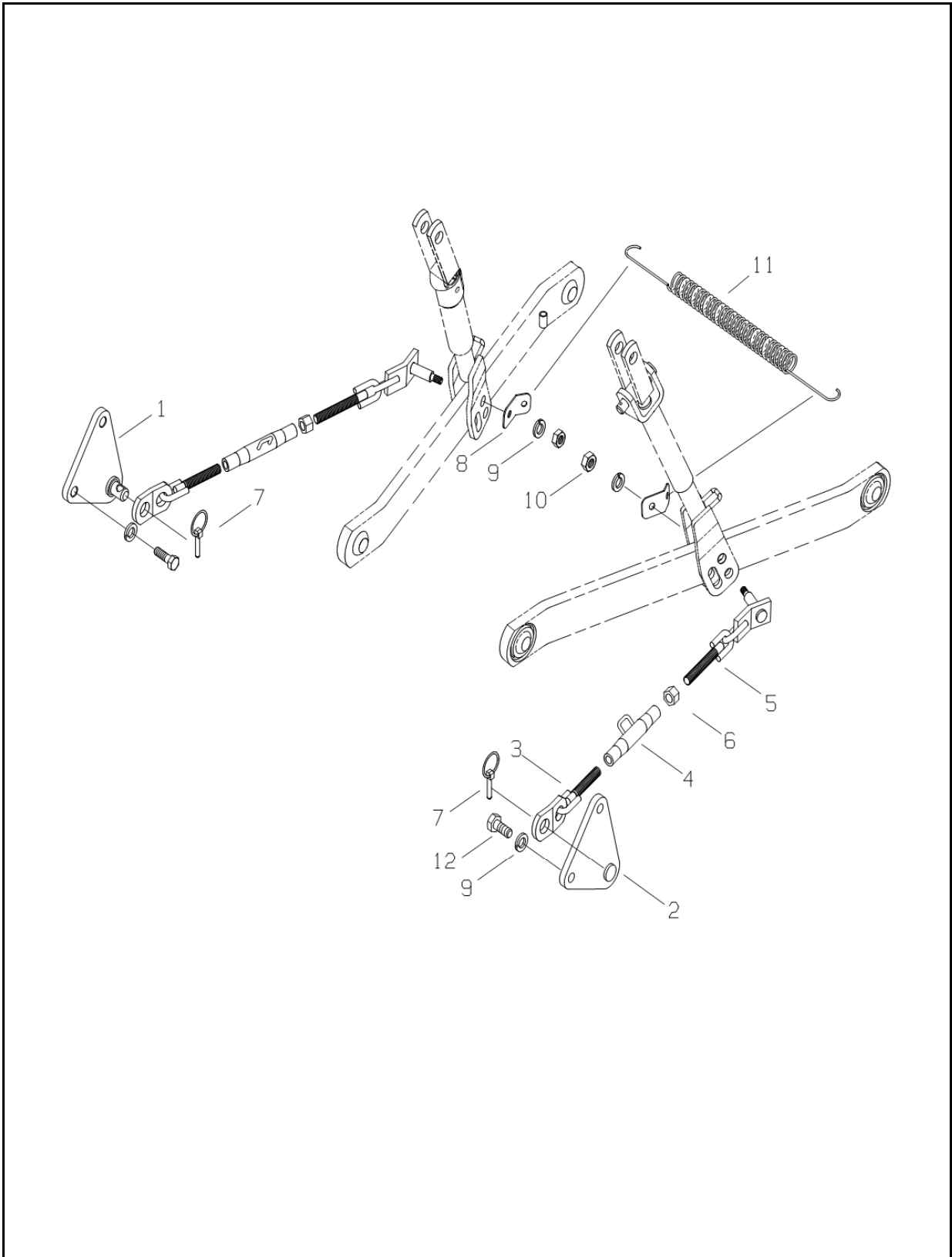
FIG. 9-14

NO.	PART NO.	PART NAME & DESCRIPTION	QTY			APP. NO	REM.	
			A	B	C			
1	A1896321	BRACKET, C/CHAIN(RH)	1	1	1	05년 7월		
2	A1896322	BRACKET, C/CHAIN(LH)	1	1	1			
3~6	A1896471	CHECK CHAIN ASSY	2	2	2			
3	A1896589	CHAIN(F)	2	2	2			
4	A1896597	TURN BUCKLE	2	2	2			
5	A1896536	CHAIN(R)	2	2	2			
6	S301160013	NUT, LOCK	M16×2.0(LH)	2	2			2
7	3A1896081	PIN, LINK		2	2			2
8	A1896333	BRACKET, SPRING		2	2			2
9	S361140013	WASHER, SPRING	Φ24.5×Φ14.2×3.5t	6	6	6		
10	S314140013	NUT, HEX	M14×1.25	2	2	2		
11	A1896539	SPRING, LOWER LINK		1	1	1		
12	S101143543	BOLT, HEX	M14×2.0x35	4	4	4		

CHECK LINK

FIG. 9-14

G. 896



CHECK LINK

A-LT280D, B-LT300D, C-LT360D

A-LT280D, B-LT300D, C-LT360D

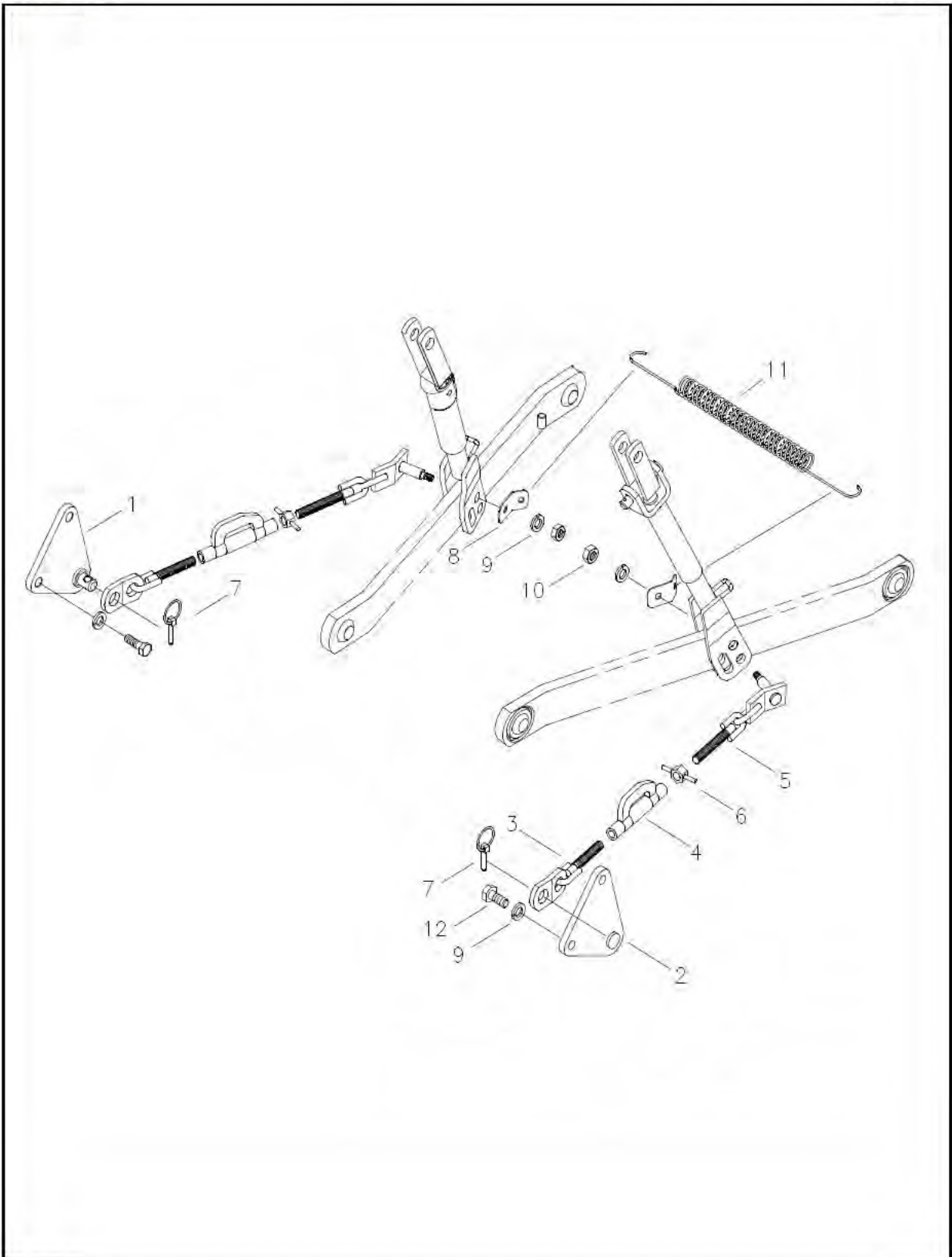
FIG. 9-14

NO.	PART NO.	PART NAME & DESCRIPTION	QTY			APP. NO	REM.
			A	B	C		
1	A1896321	BRACKET, C/CHAIN(R)	1	1	1		
2	A1896322	BRACKET, C/CHAIN(L)	1	1	1		
3~6	A1896590	CHECK CHAIN ASSY	2	*	2	05년 7월	
	A1896471	CHECK CHAIN ASSY	*	2	*		
3	A1896589	CHAIN(F)	2	2	2		
4	A1896592	TURN BUCKLE	2	*	2		
	A1896597	TURN BUCKLE	*	2	*		
5	A1896591	CHAIN(R)	2	*	2		
	A1896536	CHAIN(R)	*	2	*		
6	S301160013	NUT, LOCK	M16×2.0(LH)	2	2	2	
7	3A1896081	PIN, LINK		2	2	2	
8	A1896333	BRACKET, SPRING		2	2	2	
9	S361140013	WASHER, SPRING	φ24.5×φ14.2×3.5t	6	6	6	
10	S314140013	NUT, HEX	M14×1.25	2	2	2	
11	A1896067	SPRING, LOWER LINK		1	1	1	
12	S101143543	BOLT, HEX	M14×2.0x35	4	4	4	

CHECK LINK

FIG. 9-14

G. 896



CHECK LINK

A-LT280D, B-LT300D, C-LT360D

A-LT280D, B-LT300D, C-LT360D

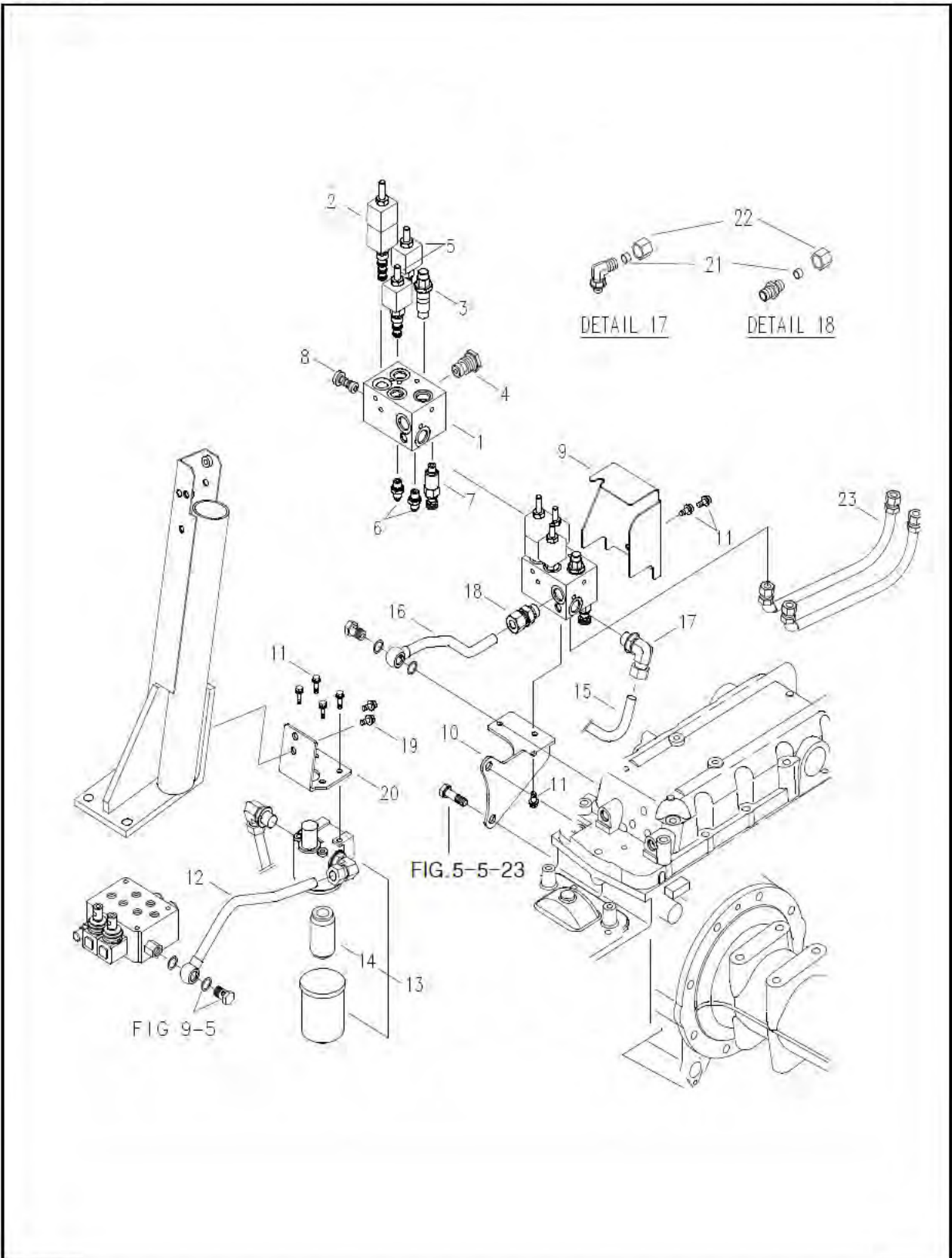
FIG. 9-14

NO.	PART NO.	PART NAME & DESCRIPTION		QTY			APP. NO	REM.
				A	B	C		
1	A1896321	BRACKET, C/CHAIN(R)		1	1	1		
2	A1896322	BRACKET, C/CHAIN(L)		1	1	1		
	A1896345	CHECK CHAIN ASSY	370-476	2	*	2		
	A1896348	TURN BUCKLE		2	*	2		
6	A1896349	NUT, LOCK	M14×1.5(LH)	2	2	2		
9	S361140013	WASHER, SPRING	φ24.5×φ14.2×3.5t	6	6	6		
10	S314140013	NUT, HEX	M14×1.25	2	2	2		
11	A1896067	SPRING, LOWER LINK		1	1	1		
12	S101143543	BOLT, HEX	M14×2.0x35	4	4	4		

HYDRAULIC LINE & VAVLE

FIG. 9-15

G. 829



HYDRAULIC LINE & VAVLE

A-LT280D, B-LT300D, C-LT360D

A-LT280D, B-LT300D, C-LT360D

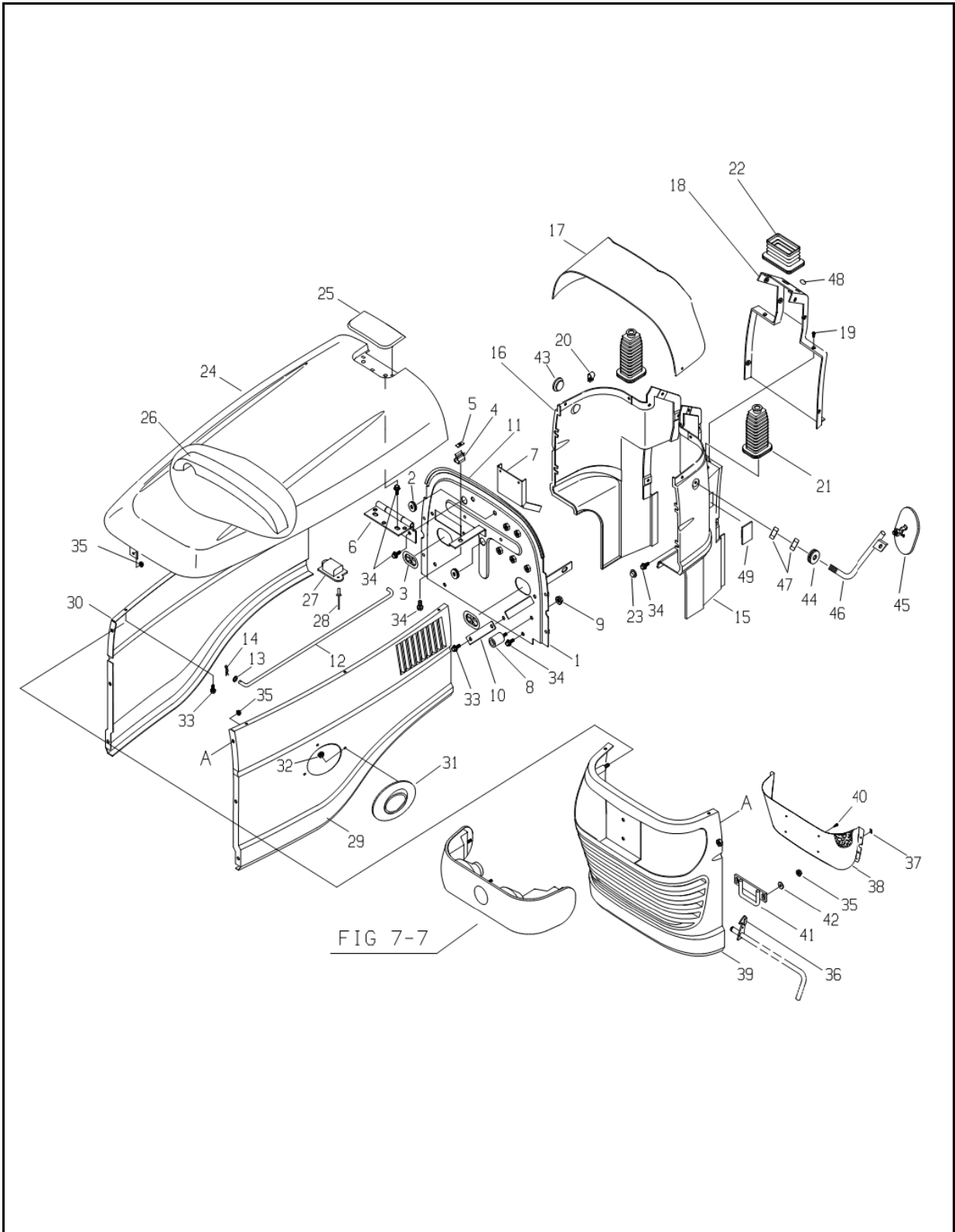
FIG. 9-15 DO, JP (AUTO/L)

NO.	PART NO.	PART NAME & DESCRIPTION	QTY			APP. NO	REM.
			A	B	C		
1~8	A1829054	LEVELING V/V ASSY	1	1	1		
1	A1829055	BODY, LEVELING V/V	1	1	1		
2	A1829037	VALVE, MAIN SOL.	1	1	1		
3	A1829042	VALVE, LOGIC	1	1	1		
4	A1829043	VALVE, CHECK	1	1	1		
5	A1829040	VALVE, SOL. POPPET	2	2	2		
6	A1896403	UNION	2	2	2		
7	A1829056	VALVE, STOP	1	1	1		
8	A1829046	VALVE, CHECK	1	1	1		
9	A1829048	COVER, LEVELING VALVE	1	1	1		
10	A1829066	BRACKET, VALVE	1	1	1		
11	S155082033	BOLT, HEX	8	8	8		
12,17	A1CMS903	FILTER INLET PIPE ASSY	1	1	1		
12	A1823372	PIPE, LINE FILTER INLET	1	1	1		
13	A1823357	IN-LINE FILTER ASSY	1	1	1		
14	A1823358	ELEMENT	1	1	1		
15,17	A1CMS904	V/V INLET PIPE ASSY	1	1	1		
15	A1823373	PIPE, LEV.V/V INLET	1	1	1		
16,18	A1CMS905	V/V DRAIN PIPE ASSY	1	1	1		
16	A1823374	PIPE, LEV.V/V DRAIN	1	1	1		
17	A1823092	ELBOW	3	3	3		
18	A1823144	JOINT	1	1	1		
19	S154102033	BOLT, HEX W/WASHER	2	2	2		
20	A1829067	BRACKET, IN-LINE FILTER	1	1	1		
21	A1823033	SLEEVE	4	4	4		
22	A1823034	NUT, HEX	4	4	4		
23	A1829033	HOSE, LIFT CYLINDER	2	2	2		

HOOD

FIG. 10-1D

G. 830



HOOD

A-LT280D, B-LT300D, C-LT360D

A-LT280D, B-LT300D, C-LT360D

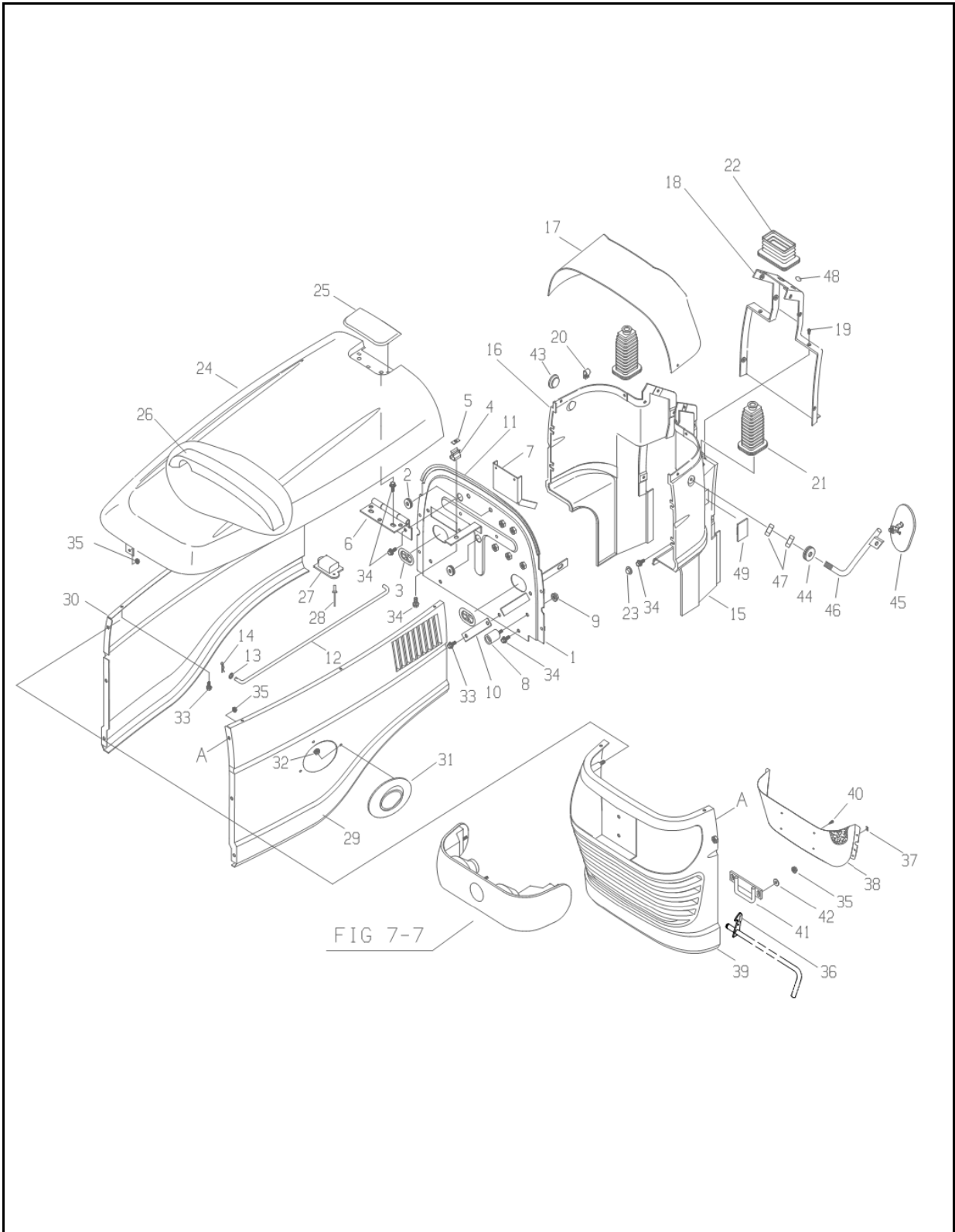
FIG. 10-1D AG

NO.	PART NO.	PART NAME & DESCRIPTION	QTY			APP. NO	REM.
			A	B	C		
1	A1830306	PLATE, HEAT INTERCEPT	1	*	1		
2	A0720034	GROMMET	2	*	2		
3	A1970210	GROMMET	2	*	2		
4	A0690218	SPRING	1	*	1		
5	A7200107	BRACKET, SPRING	1	*	1		
6	A1830258	HINGE	1	*	1		
7	A1830260	BRACKET, HINGE	1	*	1		
8	A1830288	STOPPER, RUBBER	2	*	2		
9	S345080013	NUT, FLANGE	2	*	2		
10	A1830307	COVER	1	*	1		
		M8x1.25					
11	A1970269	WEATHER STRIP	1	*	1		
12	A1830284	ROD, UPPER COVER	1	*	1		
13	S363080013	WASHER, PLN	1	*	1		
14	S443080013	PIN, SNAP	1	*	1		
15	A1830584	PANEL, BODY(LH)	1	*	1		
		D15.5/8.4x1.6T					
		D8x27.7					
16	A1830585	PANEL, BODY(RH)	1	*	1		
17	A1830220	PANEL, BODY(UPPER)	1	*	1		
18	A1830328	PANEL, BODY(REAR)	1	*	1		
19	A1830417	SCREW, TP.CRS,CSNK.	12	*	12		
20	A1970279	PLATE, LOCK	12	*	12		
21	A1830240	COVER, DUST LEVER	2	*	2		
22	A1830252	COVER, STEERING	1	*	1		
23	A1830283	CAP, BOLT	4	*	4		
24	A1830605	HOOD, BONNET	1	*	1		
25	A1830257	COVER, HINGE	1	*	1		
		GREEN					
26	A1830289	SEAL, RADIATOR AIR	1	*	1		
27	A1830286	STOPPER, HOOD SUPPORT	1	*	1		
28	S466321010	RIVET, BLIND	2	*	2		
29	A1830594	COVER, SIDE(LH)	1	*	1		
30	A1830595	COVER, SIDE(RH)	1	*	1		
		D3.2x10L					
		GREEN					
		GREEN					
31	A1830292	COVER, EXHAUST	1	*	1		
32	S345050013	NUT, FLANGE	3	*	3		
33	S159061633	BOLT	8	*	8		
34	S159082033	BOLT	11	*	11		
35	S345060013	NUT, FLANGE	9	*	9		
		M5x0.8					
		M6x1.0x16L					
		M8x1.25x20L					
		M6x1.0					
36	A1970304	BAND, RUBBER	1	*	1		
37~40	A1830600	GRILLE ASSY	1	*	1		
37	A0760137	NUT, SPEED	6	*	6		
38	A1830242	NET, GRILLE	1	*	1		
39	A1830601	GRILLE	1	*	1		
40	S234401613	SCREW	4	*	4		
41	A1830231	HANGER	1	*	1		
42	S363060013	WASHER, PLN	2	*	2		
43	A1970303	CAP, RUBBER	1	*	1		
		GREEN					
		4X16L					
		D11.5/6.4X1.6T					

HOOD

FIG. 10-1D

G. 830



HOOD

A-LT280D, B-LT300D, C-LT360D

A-LT280D, B-LT300D, C-LT360D

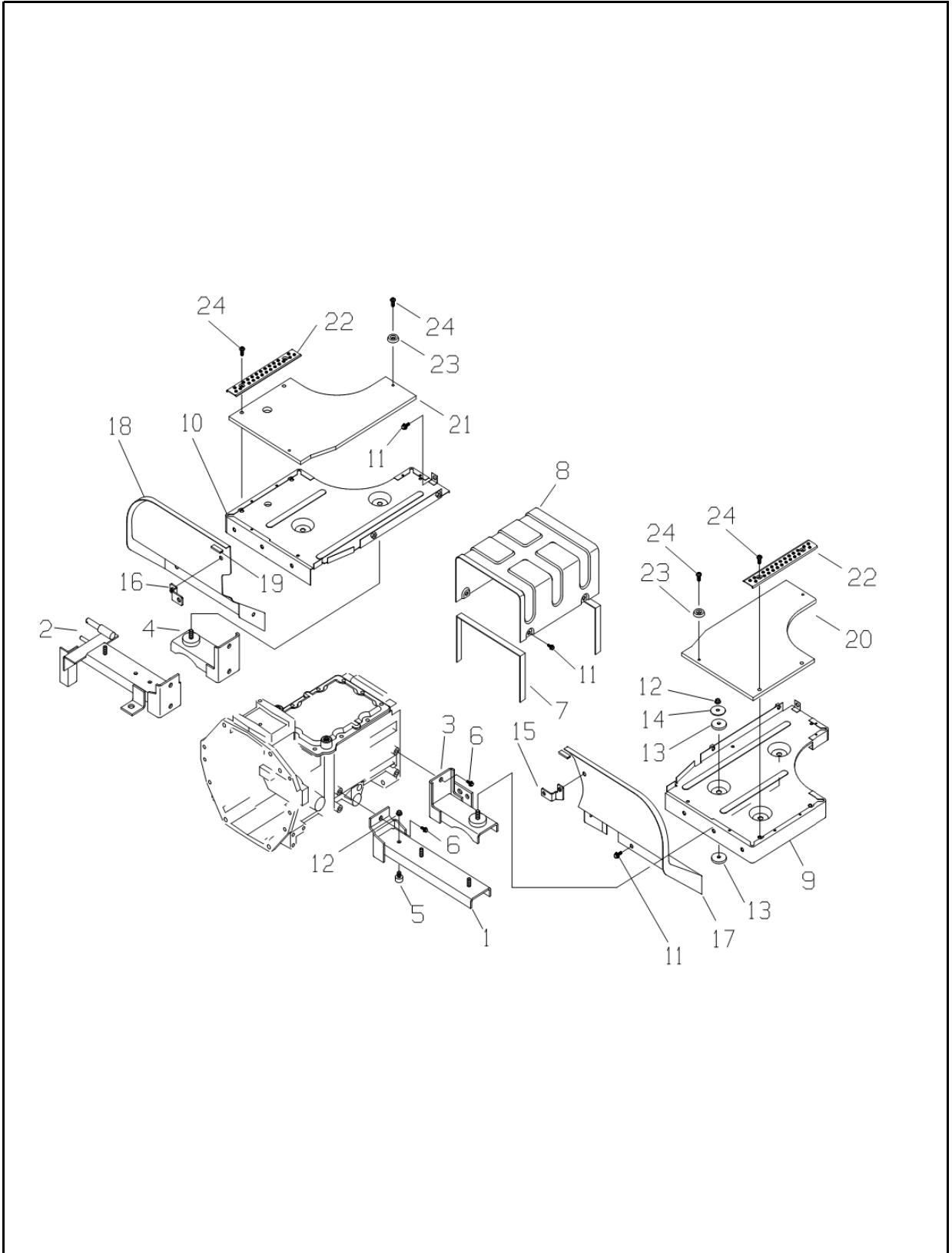
FIG. 10-1D AG

NO.	PART NO.	PART NAME & DESCRIPTION	QTY			APP. NO	REM.
			A	B	C		
44	A1830166		1	*	1		
45	2A1909001		1	*	1		
46	A1830285		1	*	1		
47	S346100013	M10X1.25	2	*	2		
48	A1980490		1	*	1		
49	A1830357		1	*	1		

STEP

FIG. 10-2D

G. 840



STEP

A-LT280D, B-LT300D, C-LT360D

A-LT280D, B-LT300D, C-LT360D

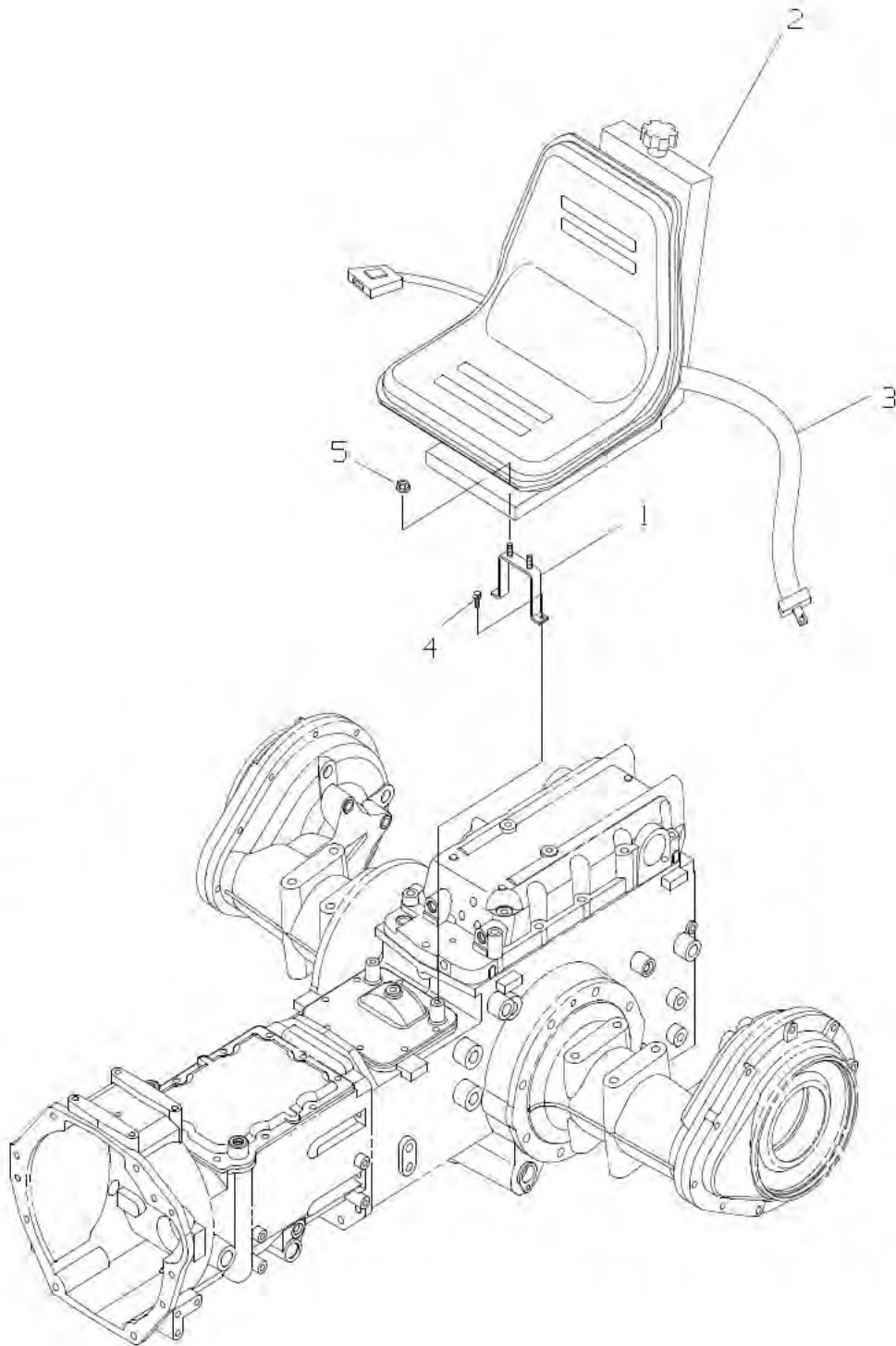
FIG. 10-2D AG

NO.	PART NO.	PART NAME & DESCRIPTION	QTY			APP. NO	REM.
			A	B	C		
1	A1840067	BRACKET, STEP FRONT(LH)	1	*	1		
2	A1840068	BRACKET, STEP FRONT(RH)	1	*	1		
3	A1840069	BRACKET, STEP REAR(LH)	1	*	1		
4	A1840081	BRACKET, STEP REAR(RH)	1	*	1		
5	A3260012	RUBBER	3	*	3		
6	S154102033	BOLT, HEX. W/WASHER	M10x1.25x20L	8	*	8	
7	A1840076	SPONGE		2	*	2	
8	A1840263	COVER, T/M CASE	GREEN	1	*	1	
9	A1840261	STEP(LH)	GREEN	1	*	1	
10	A1840262	STEP(RH)	GREEN	1	*	1	
11	S159082033	BOLT, HEX. W/WASHER	M8x1.25x20L	12	*	12	
12	S345080013	NUT, FLANGE B-TY	M8x1.25	8	*	8	
13	A1840074	RUBBER, CUSHION		10	*	10	
14	A1840073	WASHER, STEP		5	*	5	
15	A1840083	BRACKET, COVER(LH)		1	*	1	
16	A1840084	BRACKET, COVER(RH)		1	*	1	
17	A1840264	COVER(LH)	GREEN	1	*	1	
18	A1840265	COVER(RH)	GREEN	1	*	1	
19	A1970346	WEATHER STRIP		2	*	2	
20	A1840070	MAT, STEP(LH)		1	*	1	
21	A1840071	MAT, STEP(RH)		1	*	1	
22	A1840072	BRACKET, MAT SIDE		2	*	2	
23	A1840082	WASHER, MAT		4	*	4	
24	S220802511	SCREW, CROSS CSNK.	M8x1.25x25L	8	*	8	

SEAT

FIG. 10-4B

G. 850



SEAT

A-LT280D, B-LT300D, C-LT360D

A-LT280D, B-LT300D, C-LT360D

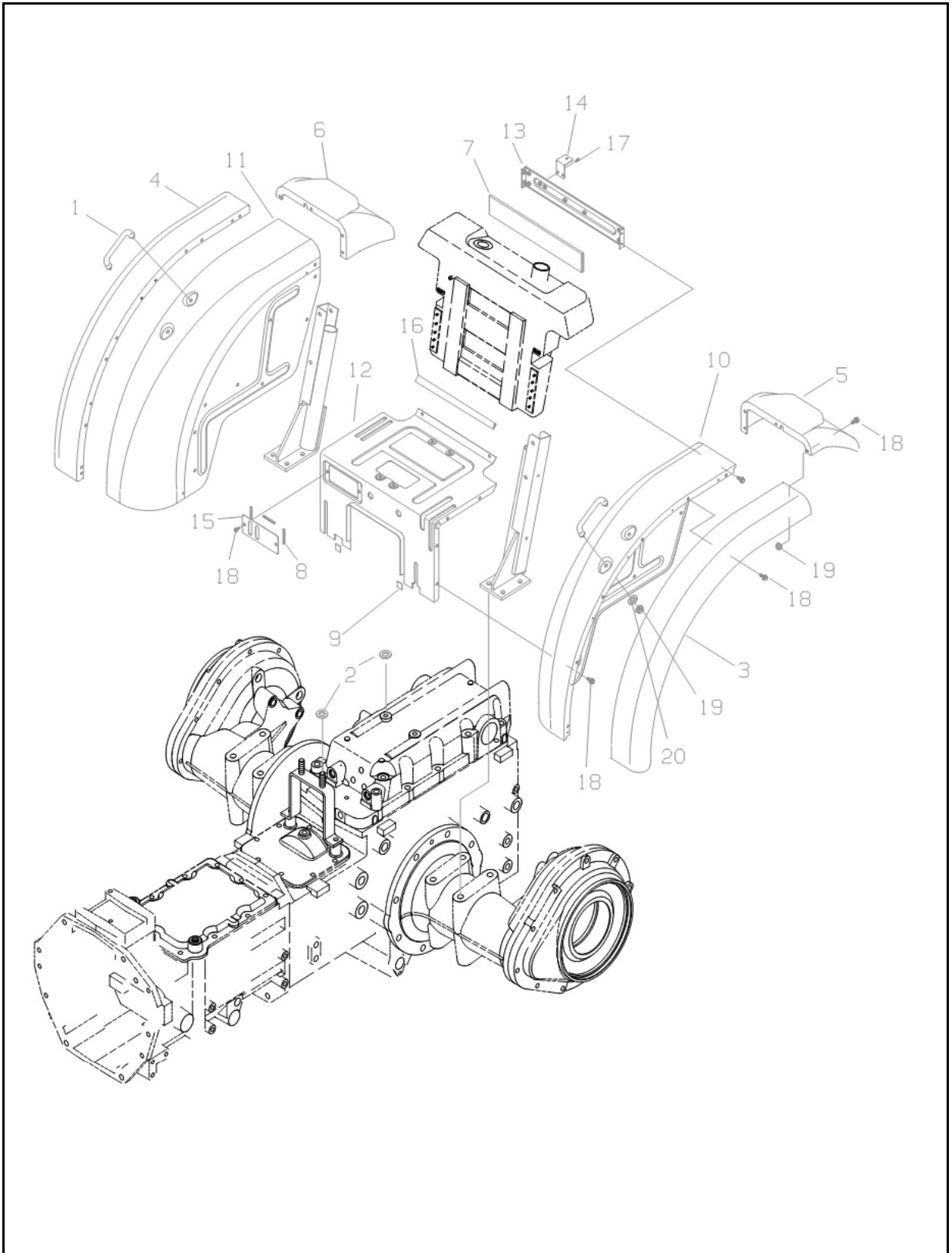
FIG. 10-4B MY, EX, AG

NO.	PART NO.	PART NAME & DESCRIPTION	QTY			APP. NO	REM.	
			A	B	C			
1	A1850078	BRACKET, SEAT	1	1	1			
2~3	A1850092	SEAT ASSY, W/SEAT BELT	1	1	1			
2	A1850093	SEAT ASSY	1	1	1			
3	A1850244	SEAT BELT ASSY	1	1	1			
4	S156102533	BOLT, HEX. W/WASHER	M10x1.25x25L	2	2	2		
5	S346100013	NUT, FLANGE B-TY	M10x1.25	4	4	4		

FENDER

FIG. 10-14D

G. 870



FENDER

A-LT280D, B-LT300D, C-LT360D

A-LT280D, B-LT300D, C-LT360D

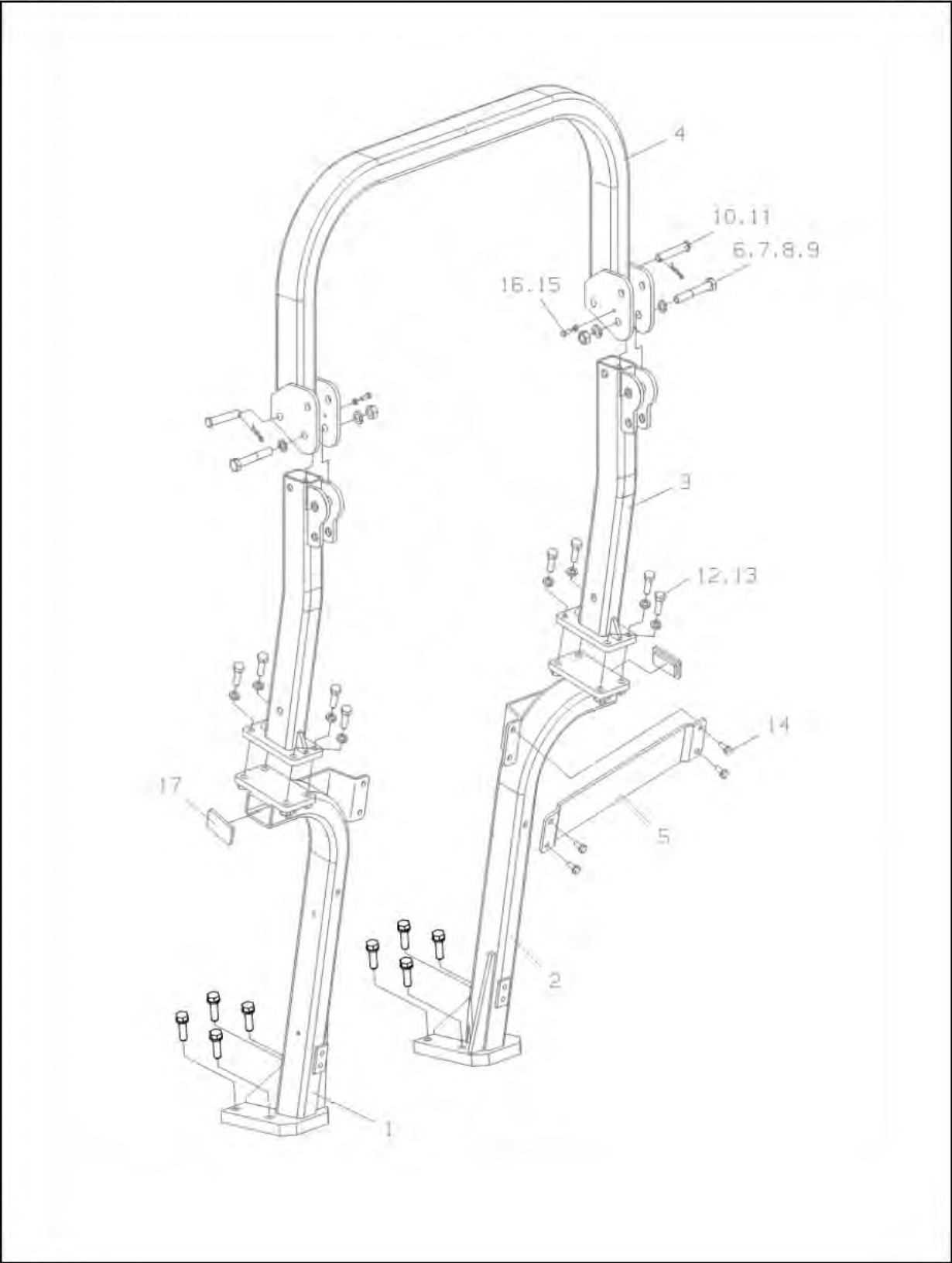
FIG. 10-14D AG

NO.	PART NO.	PART NAME & DESCRIPTION	QTY			APP. NO	REM.
			A	B	C		
1	3A1870006	RAIL, HAND	2	*	2		
2	A1840074	RUBBER, CUSHION	4	*	4		
3	A1870211	EXTENTION, FENDER (LH)	1	*	1		
4	A1870212	EXTENTION, FENDER (RH)	1	*	1		
5	A1870213	EXTENTION, REAR (LH)	1	*	1		
6	A1870214	EXTENTION, REAR (RH)	1	*	1		
7	A1870233	SPONGE	1	*	1		
8	A1870234	SPONGE	4	*	4		
9	A1870237	SPONGE	2	*	2		
10	A1870417	FENDER (LH)	GREEN	1	*	1	
11	A1870419	FENDER (RH)	GREEN	1	*	1	
12	A1870421	COVER, CENTER	GREEN	1	*	1	
13	A1870373	COVER, REAR		1	*	1	
14	A1870374	BRACKET, WORKING LIGHT		1	*	1	
15	A1870444	SUB COVER ASSY	GREEN	1	*	1	
16	A1970347	WEATHER STRIP		1	*	1	
17	S159081633	BOLT	M8x1.25x16L	4	*	4	
18	S159082033	BOLT	M8x1.25x20L	32	*	32	
19	S345080013	NUT, FLANGE	M8x1.25	6	*	6	
20	S365082613	WASHER, PLN	D26/8.4x2.5T	4	*	4	

ROPS

FIG. 10-15C

G. 880



ROPS

A-LT280D, B-LT300D, C-LT360D

A-LT280D, B-LT300D, C-LT360D

FIG. 10-15C AG, VA, MY (R/ROPS)

NO.	PART NO.	PART NAME & DESCRIPTION	QTY			APP. NO	REM.
			A	B	C		
1~17	A1880097	REAR ROPS ASSY	1	1	1		
1	A1880098	PILLAR LOWER, REAR ROPS LH	1	1	1		
2	A1880099	PILLAR LOWER, REAR ROPS RH	1	1	1		
3	A1880100	PILLAR MID, REAR ROPS	2	2	2		
4	A1880101	BEAM UPPER, REAR ROPS	1	1	1		
5	A1880102	PLATE, CONNECTOR	1	1	1		
6	S101149043	BOLT, HEX M14X2.0X90L	2	2	2		
7	S301140043	NUT, HEX M14X2.0	2	2	2		
8	S361140013	WASHER, SPR D24.5Xd14.2X3.5t	2	2	2		
9		WASHER, SPR D24Xd15X2.5t	2	2	2		
10	S427148023	PIN Φ14X80L	2	2	2		
11	S443140013	PIN, SNAP Φ14X40.6L	2	2	2		
12	S105124553	BOLT, HEX M12X1.75X45L	8	8	8		
13	S361120013	WASHER, SPR D21.5Xd12.2X3t	8	8	8		
14	S159082533	BOLT, HEX. W/WASHER M8X1.25X25L	4	4	4		
15	S163062043	BOLT, HEX M6X1.0X20L	2	2	2		
16	S301060043	NUT, HEX M6X1.0	2	2	2		
17	A1880103	COVER, RUBBER	2	2	2		

DECAL

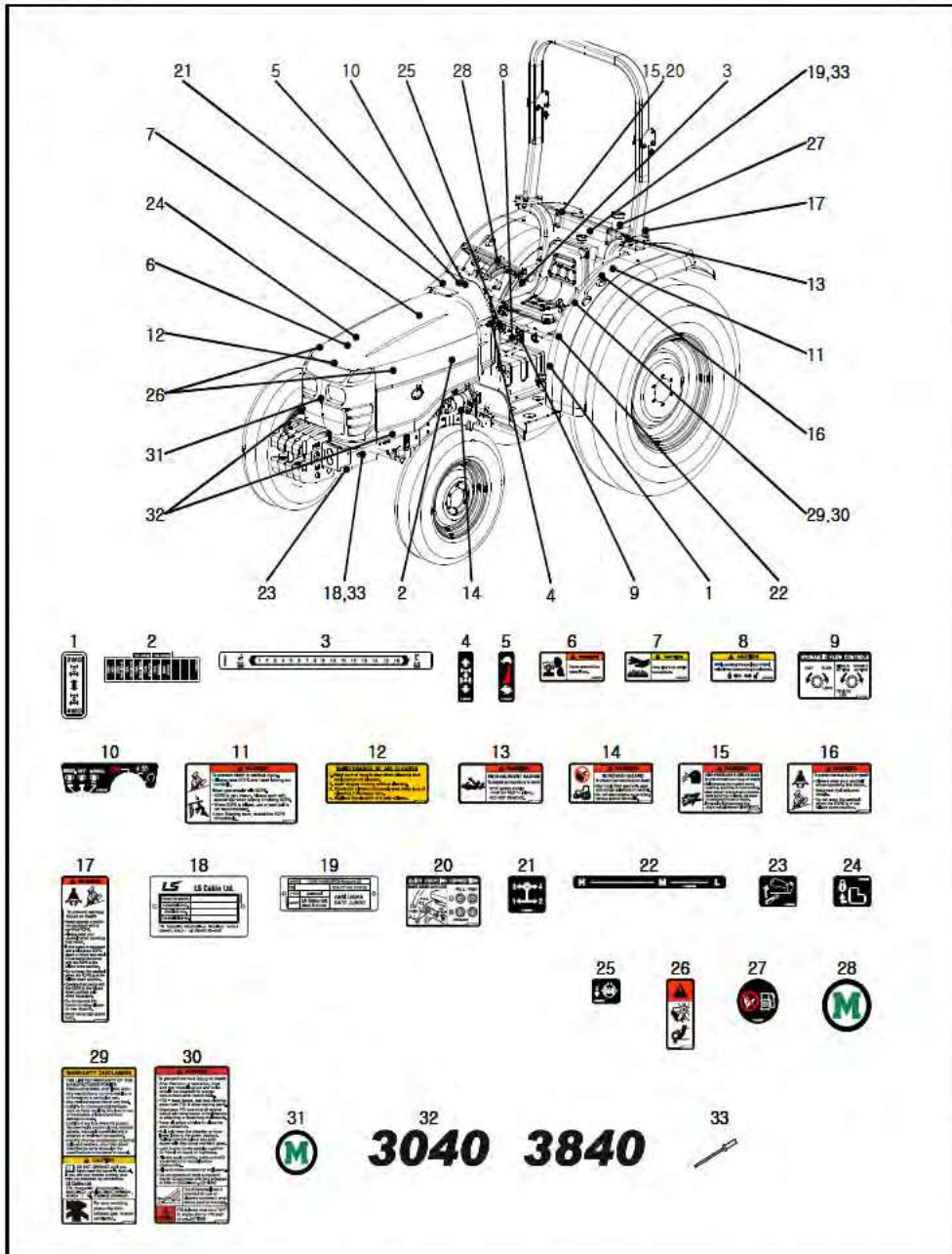
DECAL

A-LT280D, B-LT300D, C-LT360D

A-LT280D, B-LT300D, C-LT360D

FIG. 11-1B

G. 980 FIG. 11-1B AG



NO.	PART NO.	PART NAME & DESCRIPTION	QTY			APP. NO	REM.
			A	B	C		
1	A1980573	DECAL, 4WD	1		1		
2	A1980583	DECAL, FUSE	1		1		
3	A1980720	DECAL, HYD. LEVER	1		1		
4	A1980721	DECAL, F-R CHANGE	1		1		
5	A1980722	DECAL, ACC. LEVER	1		1		
6	A1980734	DECAL, WARNING	1		1		
7	A1980736	DECAL, CAUTION	1		1		
8	A1980748	DECAL, CAUTION	1		1		
9	A1980785	DECAL, FLOW CONTROL	1		1		
10	A1980835	DECAL, PTO/KEY SWITCH	1		1		
11	A1980891	DECAL, ROPS WARNING	1		1		
12	A1980932	DECAL, AIR CLEANER	1		1		
13	A1980935	DECAL, PTO WARNING	1		1		
14	A1980936	DECAL, START WARNING	1		1		
15	A1980937	DECAL, HYD. OIL WARNING	1		1		
16	A1980940	DECAL, FRAME SEATBELT WARNING	1		1		
17	A1980941	DECAL, ROPS WARNING	1		1		
18	A1980943	NAME PLATE (ENG)	1		1		
19	A1980955	NAME PLATE, ROPS ASAE	1		1		
20	A1980963	DECAL, AUX. CONTROL	1		1		
21	A1980983	DECAL, MAIN CHANGE (C)	1		1		
22	A1980984	DECAL, SUB. CHANGE (C)	1		1		
23	A1980985	DECAL, HOOD OPEN	1		1		
24	A1980986	DECAL, HOOK ROD	1		1		
25	A1980987	DECAL, DIFF LOCK	1		1		
26	A1980999	DECAL, FAN/BELT WARNING	2		2		
27	A1981000	DECAL, FUEL	1		1		
28	A1981038	DECAL, MONTANA EMBLEM (HANDLE)	1		1		
29	A1981075	DECAL, WARRANTY	1		1		
30	A1981076	DECAL, DRIVER CAUTION (E)	1		1		
31	A1981039	DECAL, MONTANA EMBLEM	1		1		
32	A1981161	DECAL, MODEL NAME (3040)	2		*		
	A1981162	DECAL, MODEL NAME (3840)	*		2		
33	S466321010	RIVET, BLIND	4		4		

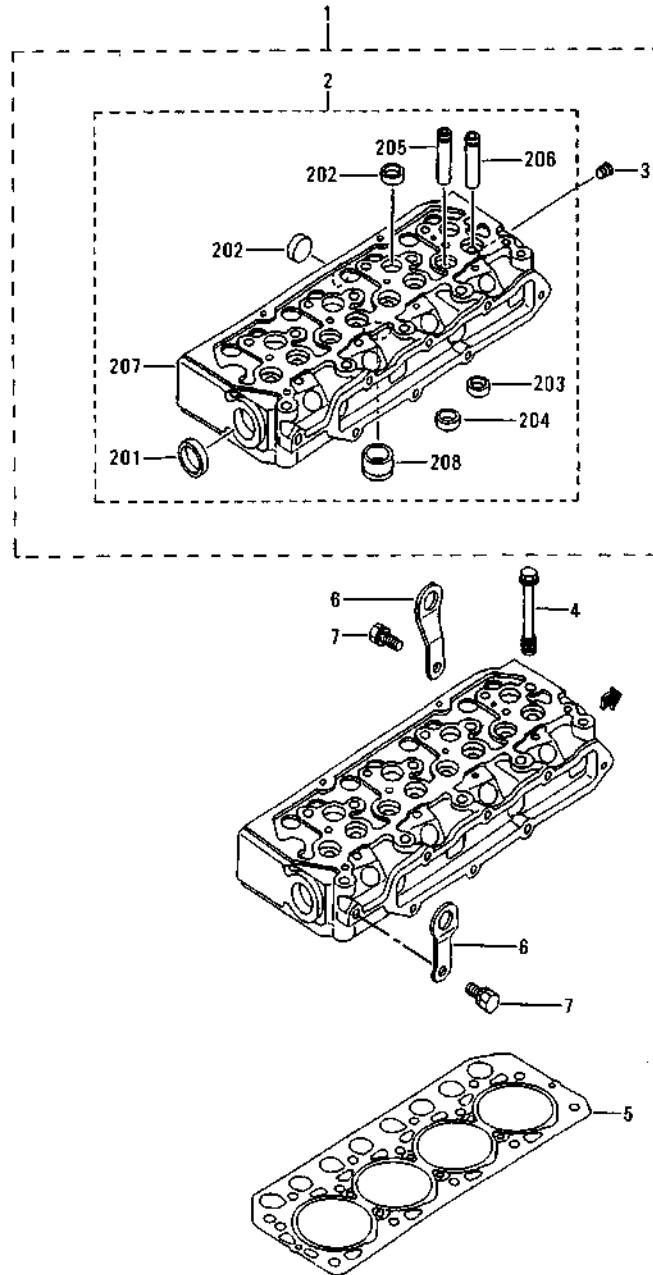
엔진 부품

ENGINE PART

실린더 헤드 / CYLINDER HEAD -----	FIG. 01
밸브 메커니즘 / VALVE MECHANISM -----	FIG. 04-01
록커 커버 & 캠 샤프트 / ROCKER COVER & CAMSHAFT -----	FIG. 04-02
크랭크 케이스(1) / CRANKCASE (PART-1) -----	FIG. 07-01
크랭크 케이스(2) / CRANKCASE (PART-2) -----	FIG. 07-02
타이밍 기어 케이스 & 타이밍 기어 / TIMING GEAR CASE & TIMING GEAR -----	FIG. 11
오일팬 & 오일 레벨 게이지 / OIL PAN & OIL LEVEL GAUGE -----	FIG. 13
메인 무빙 파트 / MAIN MOVING PARTS -----	FIG. 17
사이드 PTO / SIDE POWER TAKE-OFF -----	FIG. 25
바란서 / BALANCER -----	FIG. 29
흡기 매니폴드 / INLET MANIFOLD -----	FIG. 30
오일 시스템 / OIL SYSTEM -----	FIG. 36
냉각 시스템 / COOLING SYSTEM -----	FIG. 46
연료 시스템 / FUEL SYSTEM -----	FIG. 61-01
노즐 / NOZZLE -----	FIG. 61-02
연료 필터 / FUEL FILTER -----	FIG. 62
전장 파트 / ELECTRIC PARTS -----	FIG. 66-01
스타터 / STARTER (12V-2.2KW) -----	FIG. 66-02
발전기 / ALTERNATOR(12V-50A) -----	FIG. 68
액세서리 / ACCESSORY -----	FIG. 92
가스켓 키트 / OVERHAUL GASKET KIT -----	FIG. 94

CYLINDER HEAD

FIG. 01-01



CYLINDER HEAD

A-LT280D, B-LT300D, C-LT360D

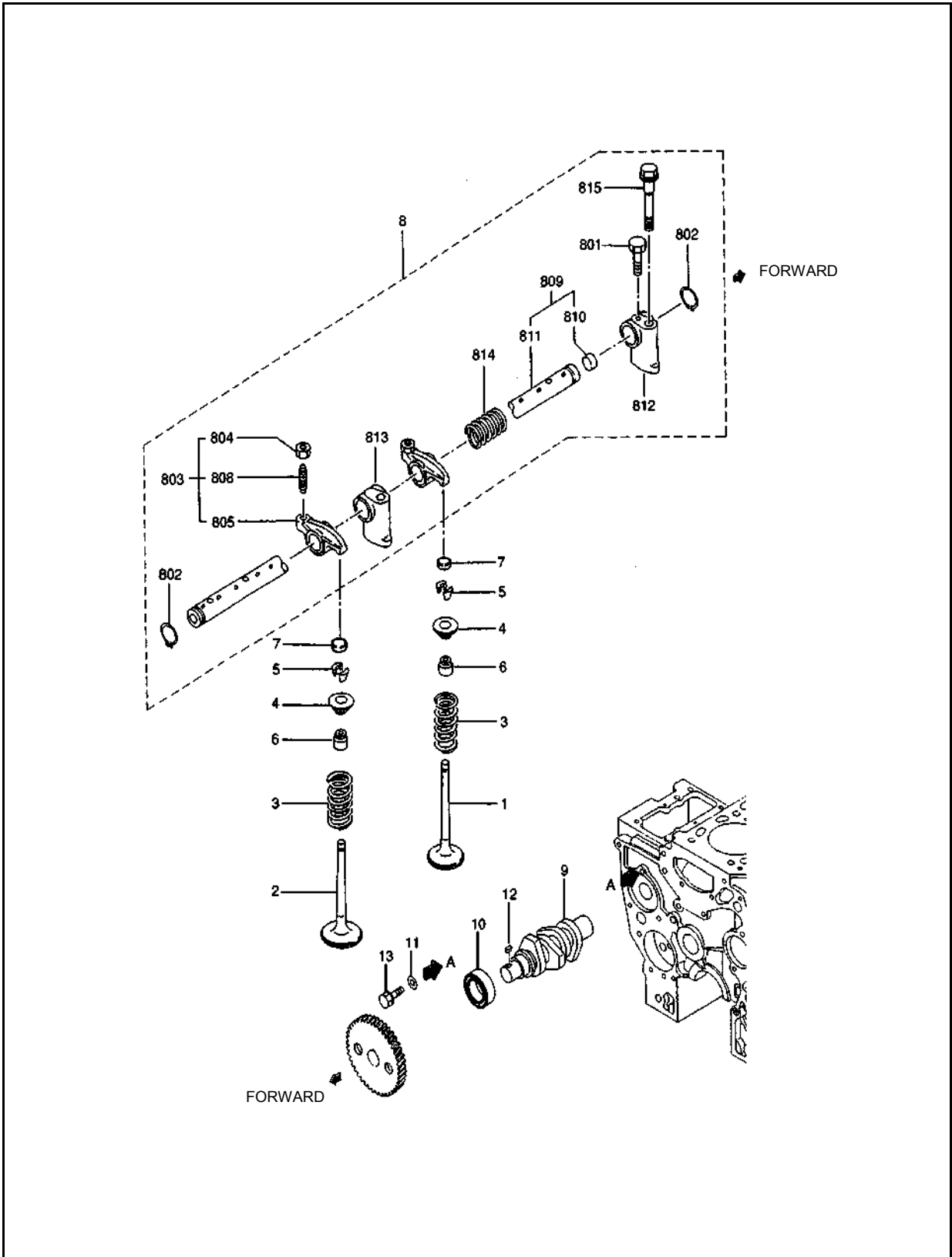
A-LT280D, B-LT300D, C-LT360D

FIG. 01-01

NO.	PART NO.	PART NAME & DESCRIPTION	QTY			APP. NO	REM.
			A	B	C		
1	31A01-21060	HEAD ASSY, CYLINDER	1	1	*		
	31A01-51040	HEAD ASSY, CYLINDER	*	*	1		
2	*	HEAD SUB ASSY	1	1	1		
01	MD000245	CAP, SEALING	1	1	1		
02	MF665538	CAP, SEALING	7	7	7		
03	*	SEAT, VALVE INLET	4	4	4		
04	*	SEAT, VALVE EXHAUST	4	4	4		
05	31A01-02500	GUIDE, EXHAUST VALVE	4	4	4		
06	31A01-02600	GUIDE, INLET VALVE	4	4	4		
07	*	CYLINDER HEAD	1	1	1		
08	31A03-01101	JET, COMBUSTION	4	4	*		
	31A03-01500	JET, COMBUSTION	*	*	4		
3	MS661140	PLUG, TAPER	1	1	1		
4	31A01-11100	BOLT, CYLINDER HEAD	14	14	14		
5	31A01-33300	GASKET, CYL. HEAD	1	1	1		
6	MM408470	HANGER, ENGINE	2	2	2		
7	F1805-10020	BOLT, W/WASHER	2	2	2		

VALVE MECHANISM

FIG. 04-01



VALVE MECHANISM

A-LT280D, B-LT300D, C-LT360D

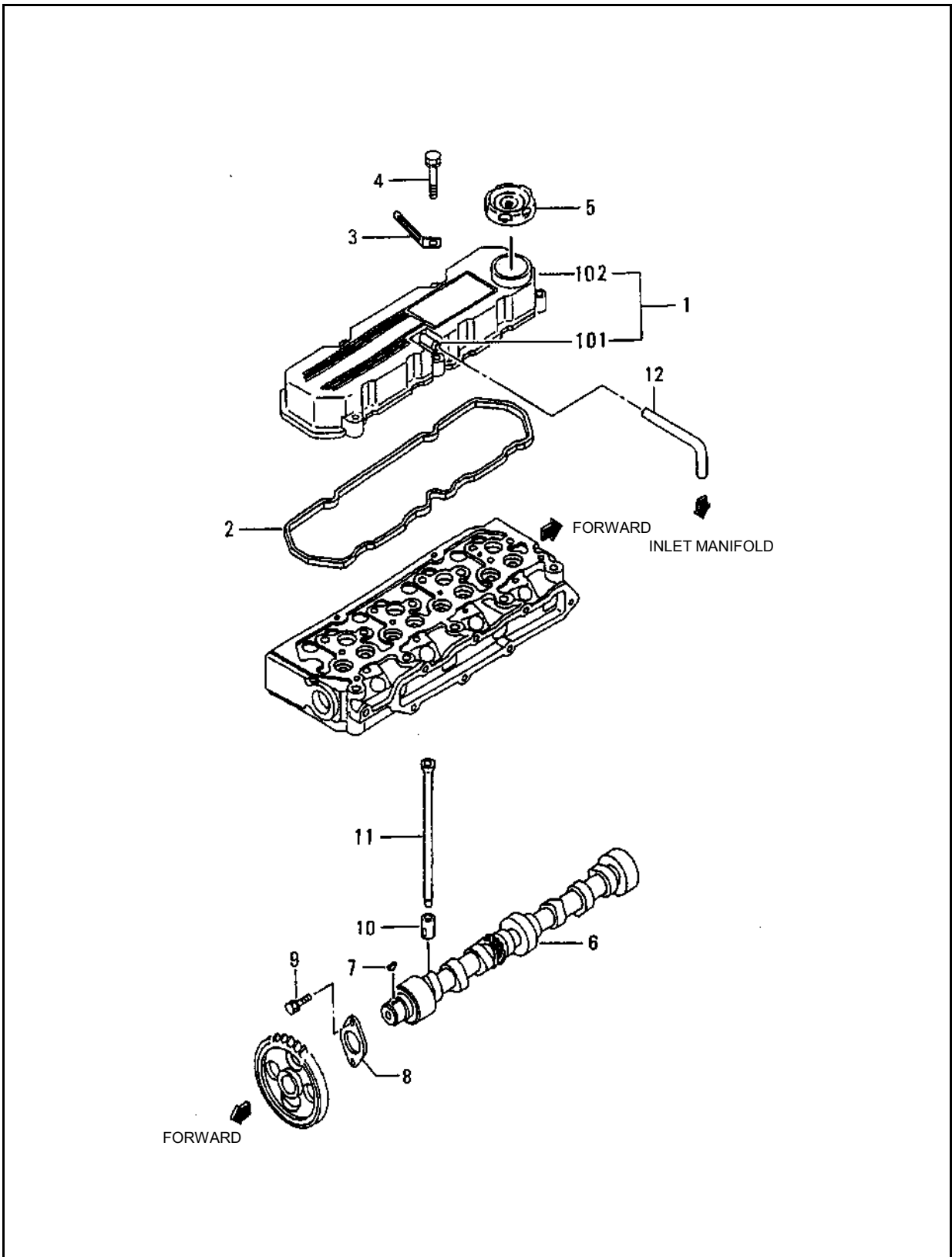
A-LT280D, B-LT300D, C-LT360D

FIG. 04-01

NO.	PART NO.	PART NAME & DESCRIPTION	QTY			APP. NO	REM.
			A	B	C		
1	31A04-30100	VALVE, INLET	4	4	4		
2	31A04-20200	VALVE, EXHAUST	4	4	4		
3	31A04-01301	SPRING, VALVE	8	8	8		
4	MM433306	RETAINER, VALVE STEM	8	8	8		
5	MD016483	VALVE, LOCK	16	16	16		
6	MD115472	SEAL, VALVE STEM	8	8	8		
7	31A04-00700	CAP, VALVE	8	8	8		
8	31A04-30042	ROCKER & SHAFT ASSY	1	1	1		
01	F1035-05010	BOLT	1	1	1		
02	MF522010	RING, SNAP	2	2	2		
03	31A04-11023	ROCKER ASSY	8	8	8		
04	F2325-08000	NUT, JAM	8	8	8		
05	*	ROCKER, ARM	8	8	8		
08	32A04-02400	SCREW, ROCKER	8	8	8		
09	31A04-21010	SHAFT ASSY, ROCKER	1	1	1		
10	MD021204	CAP, SEALING	2	2	2		
11	*	SHAFT, ROCKER	1	1	1		
12	31A04-34100	BRACKET, ROCKER SHAFT	1	1	1		
13	31A04-34300	BRACKET, ROCKER SHAFT	3	3	3		
14	32C04-04500	SPRING, ROCKER	3	3	3		
15	32C04-06100	BOLT, ROCKER BRACKET	4	4	4		
9	31A65-11200	SHAFT, FUEL INJ PUMP	1	1	1		
10	MD703856	BEARING, RADIAL BALL	1	1	1		
11	MD000425	WASHER	1	1	1		
12	MF476018	KEY, SUNK	1	1	1		
13	F1805-08016	BOLT, W/WASHER	1	1	1		

ROCKER COVER & CAMSHAFT

FIG. 04-02



ROCKER COVER & CAMSHAFT

A-LT280D, B-LT300D, C-LT360D

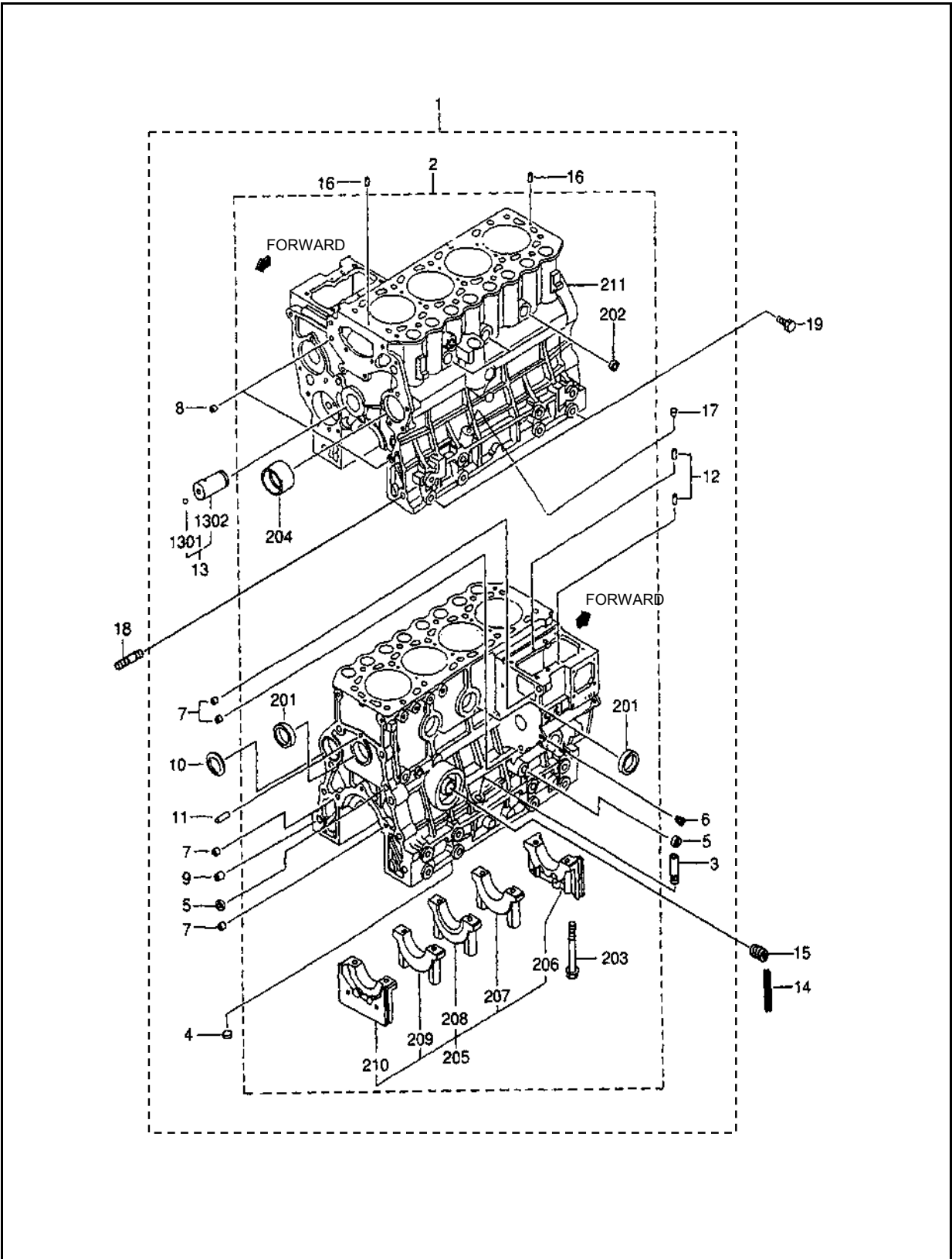
A-LT280D, B-LT300D, C-LT360D

FIG. 04-02

NO.	PART NO.	PART NAME & DESCRIPTION	QTY			APP. NO	REM.
			A	B	C		
1	31A04-20031	COVER ASSY, ROCKER	1	1	1		
01	*	PIPE	1	1	1		
02	*	COVER, ROCKER	1	1	1		
2	31A04-33202	GASKET, ROCKER COVER	1	1	1		
3	MS470059	CLIP	1	1	1		
4	F1805-08040	BOLT, W/WASHER	5	5	5		
5	MD008784	CAP, OIL FILTER	1	1	1		
6	31A05-00201	CAMSHAFT	1	1	1		
7	MF476215	KEY, WOODRUFF	1	1	1		
8	30405-31402	PLATE, THRUST	1	1	1		
9	F1805-08016	BOLT, W/WASHER	2	2	2		
10	MM402737	TAPPET	8	8	8		
11	31A05-01300	ROD, PUSH	8	8	8		
12	MM400380	BREATHER, PIPE	1	1	1		

CRANKCASE ASSY

FIG. 07-01



CRANKCASE ASSY

A-LT280D, B-LT300D, C-LT360D

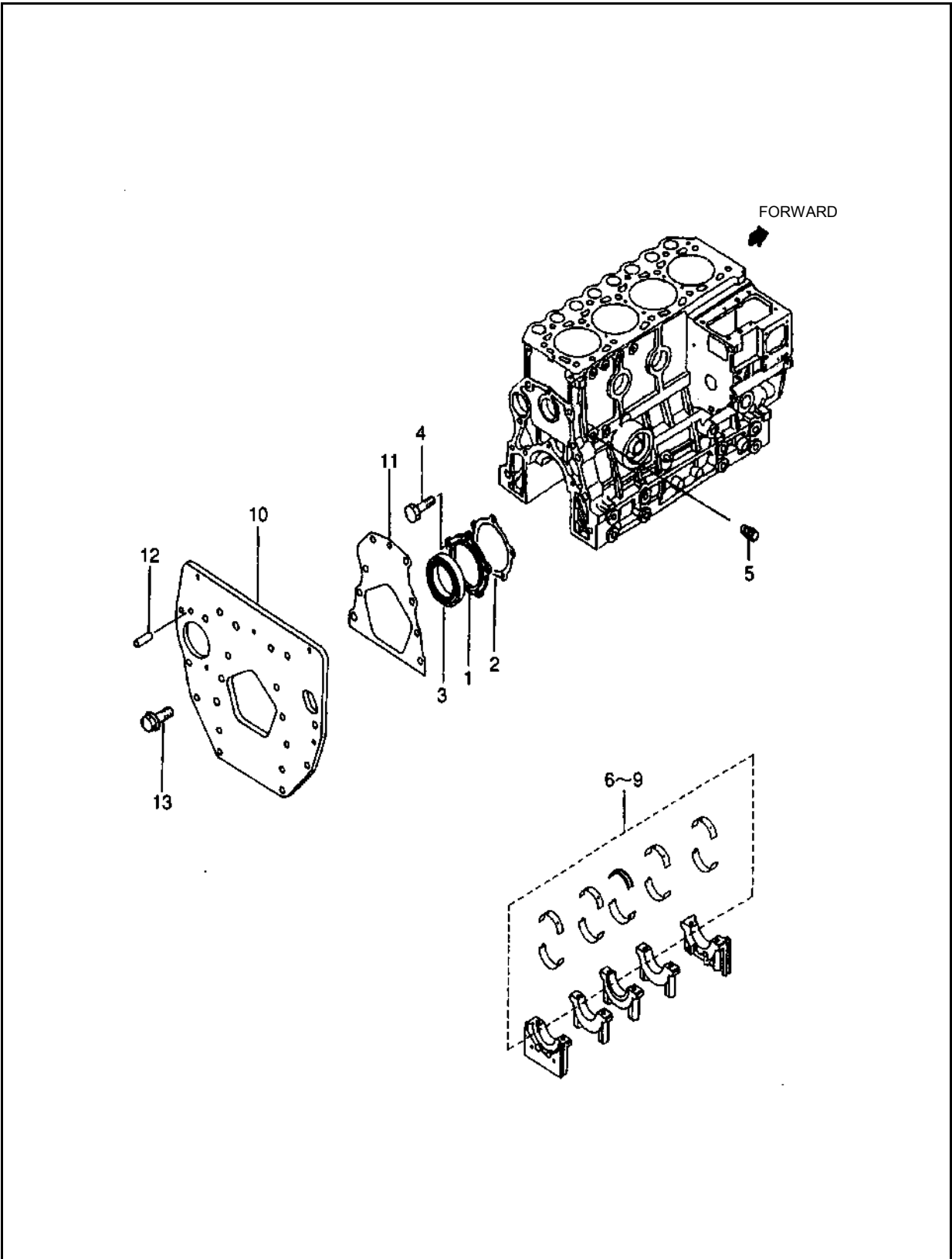
A-LT280D, B-LT300D, C-LT360D

FIG. 07-01

NO.	PART NO.	PART NAME & DESCRIPTION	QTY			APP. NO	REM.
			A	B	C		
1	31A07-42010	BLOCK ASSY, CYLINDER	1	1	1		
2	*	BLOCK SUB ASSY, CYL	1	1	1		
01	04826-22000	CAP, SEALING	3	3	3		
02	04826-23500	CAP, SEALING	3	3	3		
03	31A07-00800	BOLT, BEARING, CAP	10	10	10		
04	31A07-03100	BUSH, CAMSHAFT	1	1	1		
05	*	CAP SET, METAL	1	1	1		
06	*	CAP, METAL FRONT	1	1	1		
07	*	CAP, METAL NO.2	1	1	1		
08	*	CAP, METAL NO.3	1	1	1		
09	*	CAP, METAL NO.4	1	1	1		
10	*	CAP, METAL REAR	1	1	1		
11	*	BLOCK, CYLINDER	1	1	1		
3	MM430613	GUIDE, OIL LEVEL	1	1	1		
4	MF665532	CAP, SEALING(12)	1	1	1		
5	MF665533	CAP, SEALING(14)	3	3	3		
6	MS661140	PLUG, TAPER	1	1	1		
7	MS471104	BUSHING, KNOCK	4	4	4		
8	MS471105	BUSHING, KNOCK	2	2	2		
9	MS471110	BUSHING, KNOCK	1	1	1		
10	MF665511	PLUG, EXPANSION	1	1	1		
11	MF472404	PIN, DOWEL	1	1	1		
12	MM409645	PIN, DOWEL	2	2	2		
13	31A23-00051	SHAFT ASSY, IDLER	1	1	1		
01	F8000-08000	BALL, STEEL	1	1	1		
02	*	SHAFT, IDLER	1	1	1		
14	31A07-12200	SEAL, SIDE	4	4	4		
15	30L07-00700	SHAFT, OIL FILTER	1	1	1		
16	F2846-05000	PIN, DOWEL	2	2	2		
17	MD024256	PLUG, TAPER	1	1	1		
18	31A07-02500	STUD	2	2	2		
19	F1035-12025	BOLT	4	4	4		

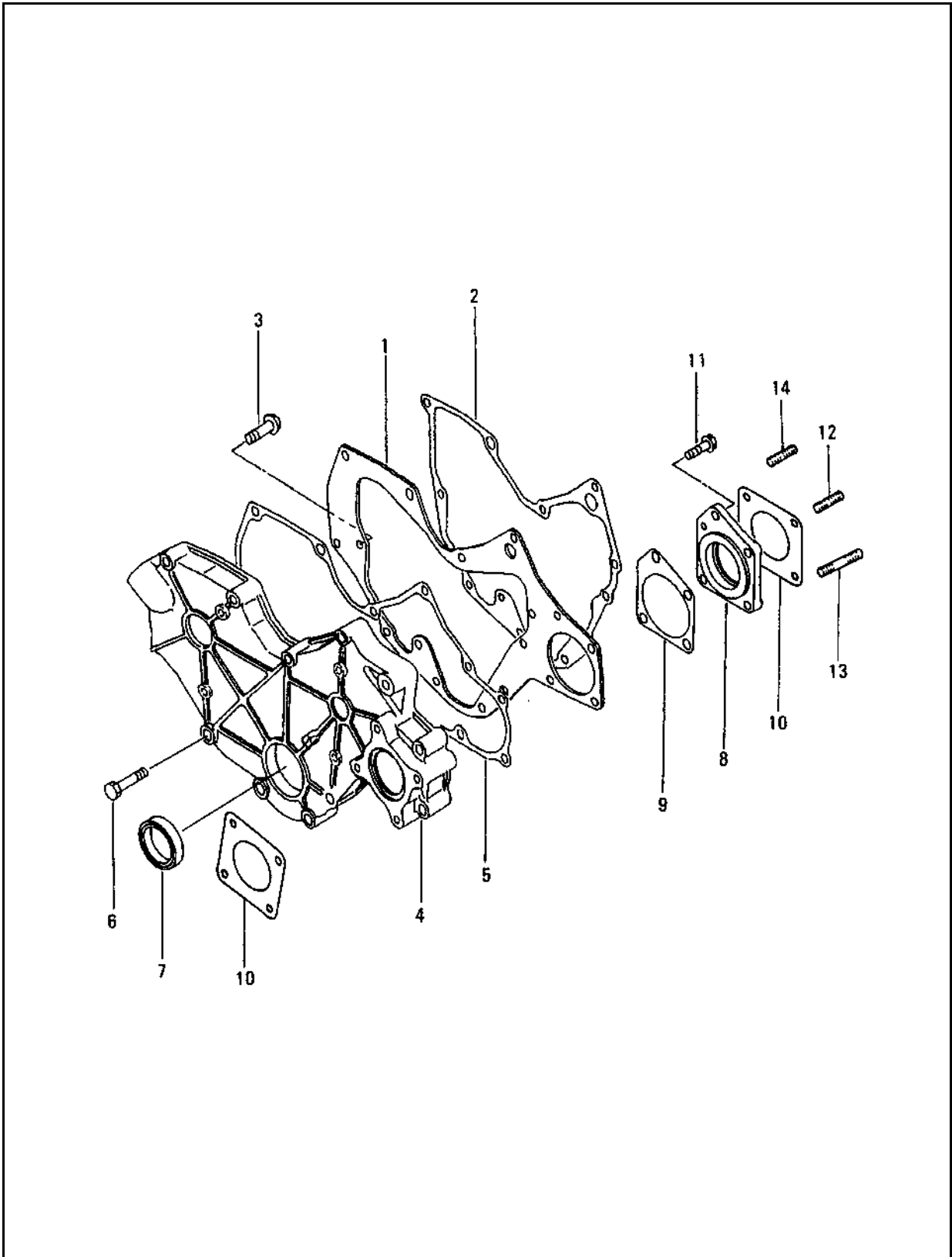
CRANKCASE

FIG. 07-02



TIMING GEAR CASE

FIG. 11



TIMING GEAR CASE

A-LT280D, B-LT300D, C-LT360D

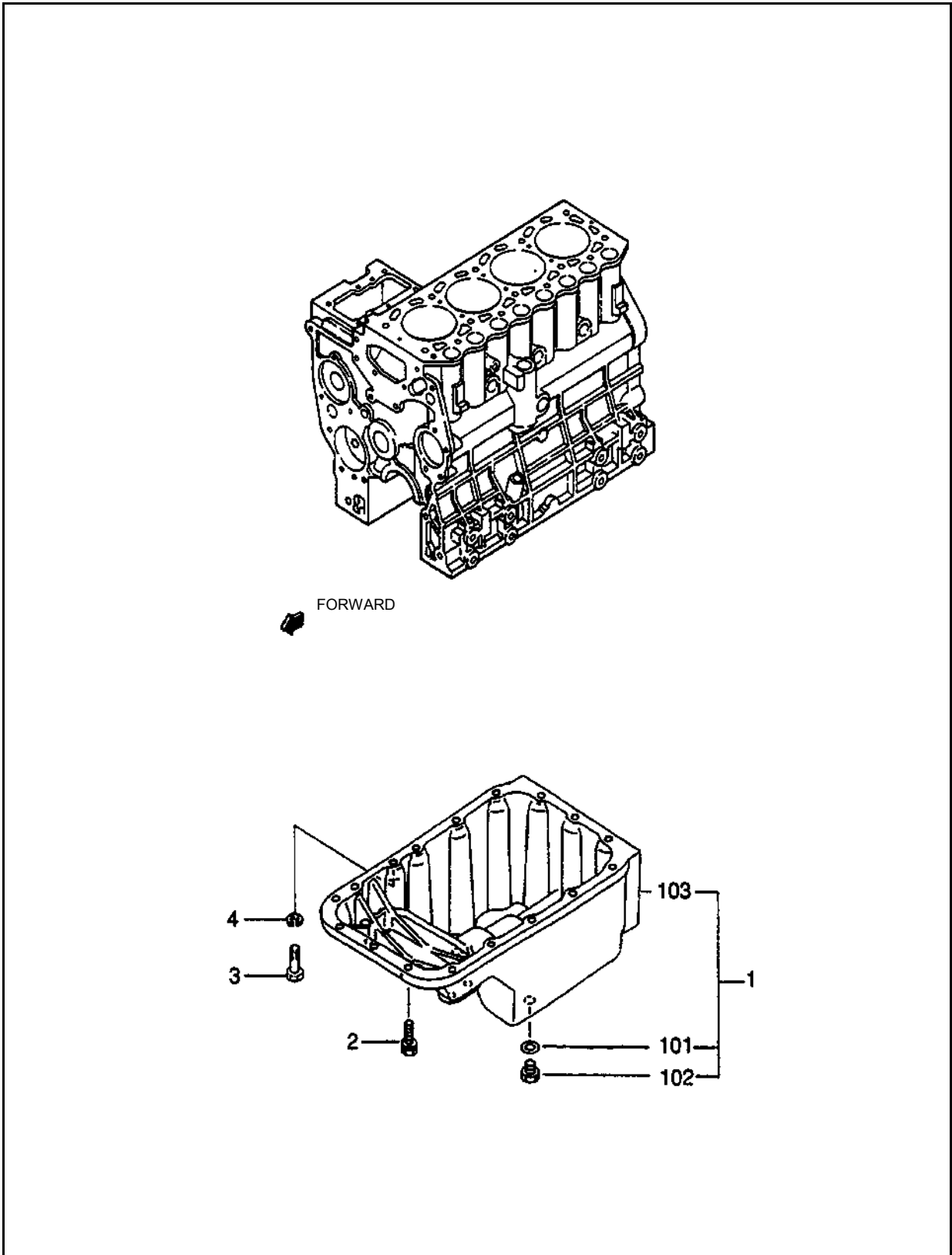
A-LT280D, B-LT300D, C-LT360D

FIG. 11

NO.	PART NO.	PART NAME & DESCRIPTION	QTY			APP. NO	REM.
			A	B	C		
1	31A11-02100	PLATE, FRONT	1	1	1		
2	31A07-11901	GASKET, FRONT PLATE	1	1	1		
3	F1805-08016	BOLT, W/WASHER	5	5	5		
4	31A11-00800	CASE, GEAR PTO	1	1	1		
5	31A11-11101	GASKET, GEAR	1	1	1		
6	F1035-08045	BOLT	8	8	8		
7	MD008762	SEAL, OIL	1	1	1		
8	31A11-05101	HOUSING, GEAR	1	1	1		
9	31A11-05201	GASKET, HOUSING	1	1	1		
10	MM401-20601	GASKET, O/PUMP COVER	2	2	2		
11	F1805-08030	BOLT, W/WASHER	1	1	1		
12	MF401936	STUD(8X25)	1	1	1		
13	MS401335	STUD(8X45)	1	1	1		
14	MF401935	STUD(8X22)	2	2	2		

OIL PAN

FIG. 13



OIL PAN

A-LT280D, B-LT300D, C-LT360D

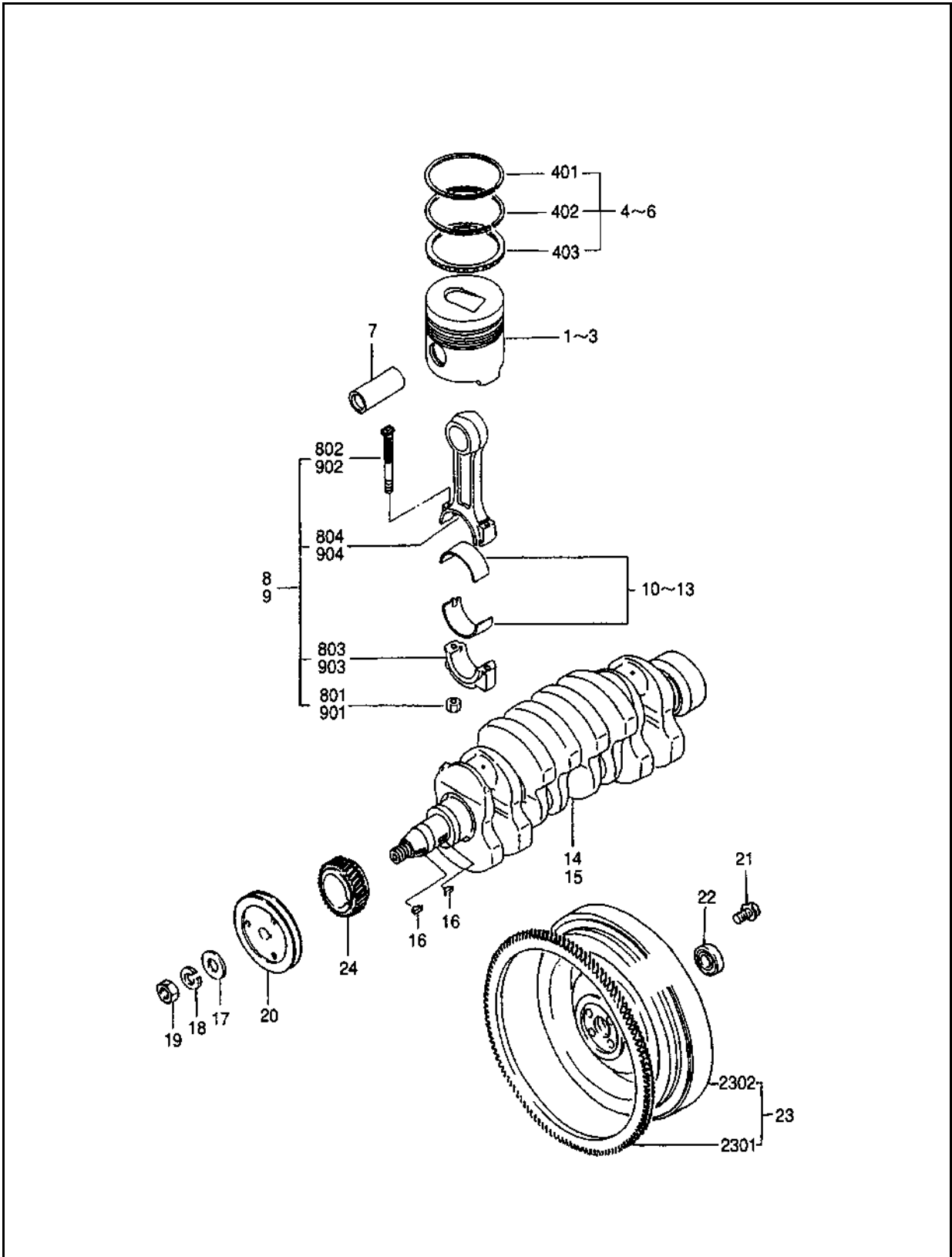
A-LT280D, B-LT300D, C-LT360D

FIG. 13

NO.	PART NO.	PART NAME & DESCRIPTION	QTY			APP. NO	REM.
			A	B	C		
1	31A13-02020	PAN ASSY, OIL	1	1	1		
01	MF660065	GASKET, OIL DRAIN	2	2	2		
02	MF665004	PLUG, DRAIN	2	2	2		
03	*	PAN, OIL	1	1	1		
2	31A13-04101	BOLT, W/WASHER	16	16	16		
3	F1035-08040	BOLT	1	1	1		
4	F2515-08000	WASHER, SPRING	1	1	1		

MAIN MOVING PARTS

FIG. 17



MAIN MOVING PARTS

A-LT280D, B-LT300D, C-LT360D

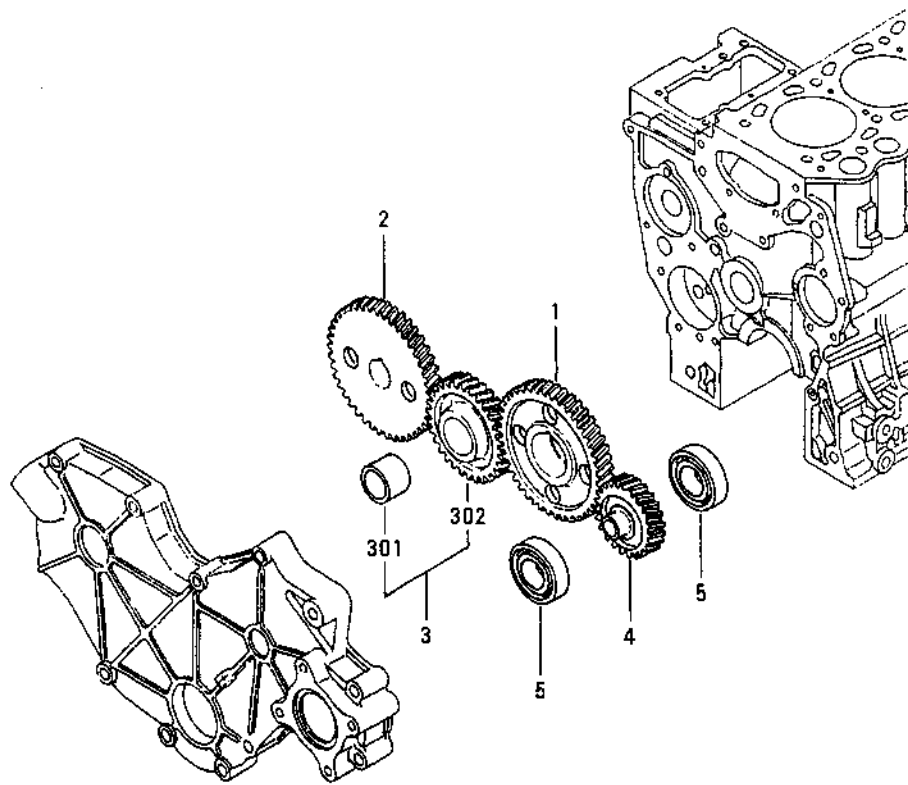
A-LT280D, B-LT300D, C-LT360D

FIG. 17

NO.	PART NO.	PART NAME & DESCRIPTION		QTY			APP. NO	REM.
				A	B	C		
1	31A17-11100	PISTON	STD	4	4	4		
2	31A17-11200	PISTON	O.S 0.25	4	4	4		
3	31A17-11300	PISTON	O.S 0.50	4	4	4		
4	MM433921	RING SET, PISTON	STD	4	4	4		
01	*	RING, PISTON NO.1		4	4	4		
02	*	RING, PISTON NO.2		4	4	4		
03	*	RING ASSY, OIL		4	4	4		
5	MM433922	RING SET, PISTON	O.S 0.25	4	4	4		
6	MM433923	RING SET, PISTON	O.S 0.50	4	4	4		
7	31A17-10600	PIN, PISTON		4	4	4		
8	31A19-10021	ROD ASSY, CONNECTING		4	4	*		
01	MD006704	NUT, CONNECTING ROD		8	8	*		
02	MD021105	BOLT, CONNECTING ROD		8	8	*		
03	*	CAP, CONNECTING ROD		4	4	*		
04	*	ROD, CONNECTING		4	4	*		
9	31A19-01021	ROD ASSY, CONNECTING		*	*	4		
01	MD006704	NUT, CONNECTING ROD		*	*	8		
02	MD021105	BOLT, CONNECTING ROD		*	*	8		
03	*	CAP, CONNECTING ROD		*	*	4		
04	*	ROD, CONNECTING		*	*	4		
10	MM437305	METAL SET, CON-ROD	STD	4	4	4		
11	30A19-00010	METAL SET, CON-ROD	U.S 0.25	4	4	4		
12	30A19-00020	METAL SET, CON-ROD	U.S 0.50	4	4	4		
13	30A19-00030	METAL SET, CON-ROD	U.S 0.75	4	4	4		
14	31A20-00102	CRANKSHAFT		1	1	*		
15	31A20-00200	CRANKSHAFT		*	*	1		
16	MF476215	KEY, WOODRUFF		2	2	2		
17	MF450010	WASHER, PLAIN		1	1	1		
18	MF450410	WASHER, SPRING		1	1	1		
19	MF430126	NUT		1	1	1		
20	31A20-22100	PULLEY, CRANKSHAFT		1	1	1		
21	MD952231	BOLT, DRIVE PLATE		4	4	4		
22	MD002613	BEARING, BALL		1	1	1		
23	31A21-01070	FLYWHEEL SUB ASSY		1	1	1		
01	MD024812	GEAR, RING		1	1	1		
02	*	FLYWHEEL		1	1	1		
24	31A23-01302	GEAR, CRANKSHAFT		1	1	1		

TIMING GEAR

FIG. 23



TIMING GEAR

A-LT280D, B-LT300D, C-LT360D

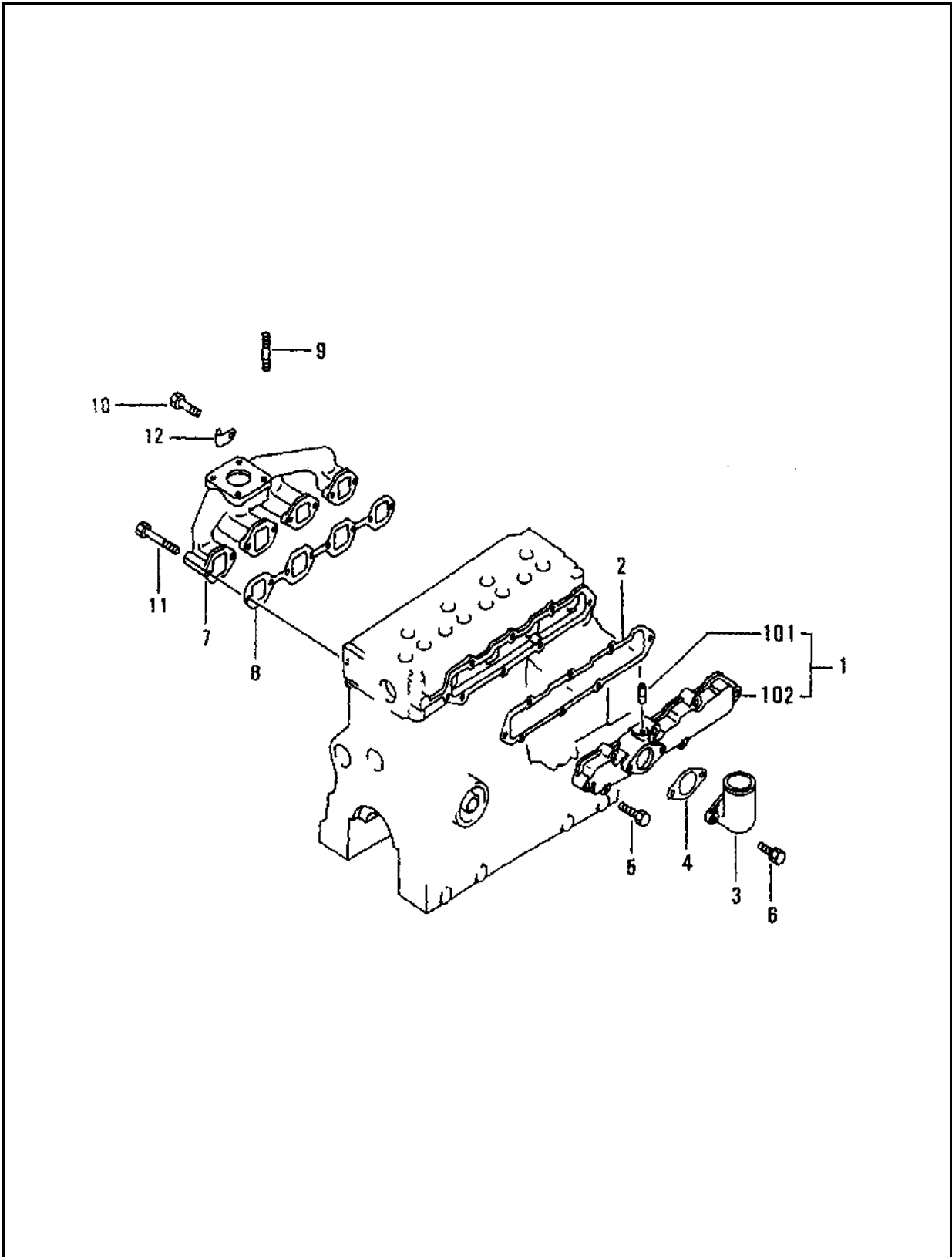
A-LT280D, B-LT300D, C-LT360D

FIG. 23

NO.	PART NO.	PART NAME & DESCRIPTION		QTY			APP. NO	REM.
				A	B	C		
1	31A23-01404	GEAR, CAMSHAFT	STD	1	1	1		
2	31A23-10101	GER, INJECTION PUMP	O.S 0.25	1	1	1		
3	31A23-01023	GEAR ASSY, IDLER	O.S 0.50	1	1	1		
01	*	BUSHING, IDLER GEAR		1	1	1		
02	*	GEAR, IDLER		1	1	1		
4	31A23-01502	GEAR, PRESS OIL PUMP		1	1	1		
5	MD712517	BEARING, REAR		2	2	2		

INLET & EXHAUST MANIFOLD

FIG. 30



INLET & EXHAUST MANIFOLD

A-LT280D, B-LT300D, C-LT360D

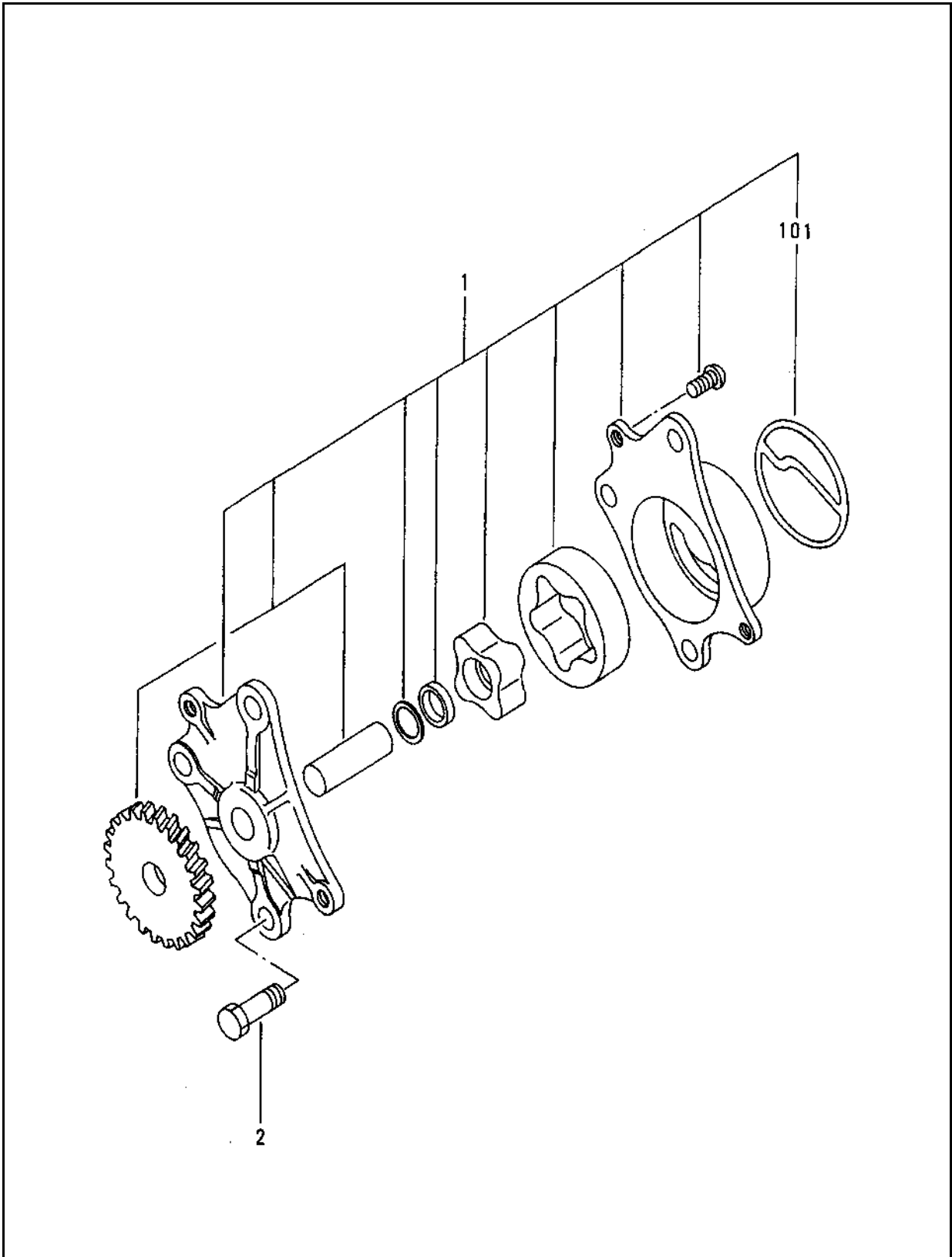
A-LT280D, B-LT300D, C-LT360D

FIG. 30

NO.	PART NO.	PART NAME & DESCRIPTION	QTY			APP. NO	REM.
			A	B	C		
1	31A30-20010	COVER ASSY, INLET	1	1	1		
01	*	PIPE	1	1	1		
02	*	COVER, INLET	1	1	1		
2	31A30-10902	GASKET, INLET COVER	1	1	1		
3	31A30-00300	PIPE, INLET	1	1	1		
4	31A30-00801	GASKET, INLET PIPE	1	1	1		
5	F1805-08035	BOLT, W/WASHER	8	8	8		
6	F1805-08020	BOLT, W/WASHER	2	2	2		
7	31A32-00402	MANIFOLD ASSY, EXH	1	1	1		
8	31A32-01200	GASKET, EXHAUST	1	1	1		
9	MF401936	STUD(8X25)	4	4	4		
10	F1035-08020	BOLT	6	6	6		
11	F1035-08055	BOLT	2	2	2		
12	31A32-02100	CLAMP	1	1	1		

OIL PUMP

FIG. 35



OIL PUMP

A-LT280D, B-LT300D, C-LT360D

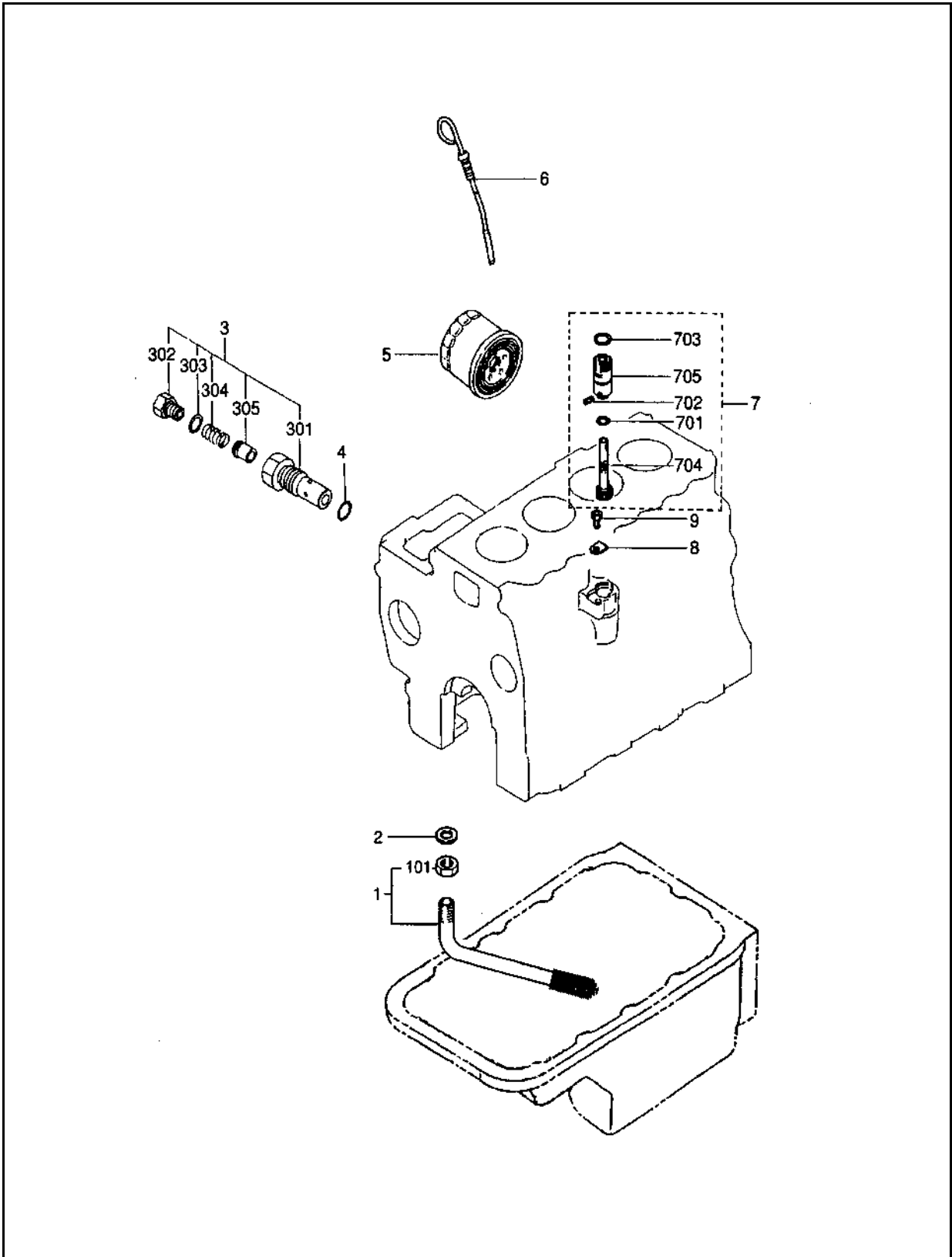
A-LT280D, B-LT300D, C-LT360D

FIG. 35

NO.	PART NO.	PART NAME & DESCRIPTION	QTY			APP. NO	REM.
			A	B	C		
1	31A35-30010	PUMP ASSY, OIL	1	1	1		
01	31A35-02300	PACKING, BODY	1	1	1		
2	F1035-08022	BOLT	3	3	3		

OIL SYSTEM

FIG. 36



OIL SYSTEM

A-LT280D, B-LT300D, C-LT360D

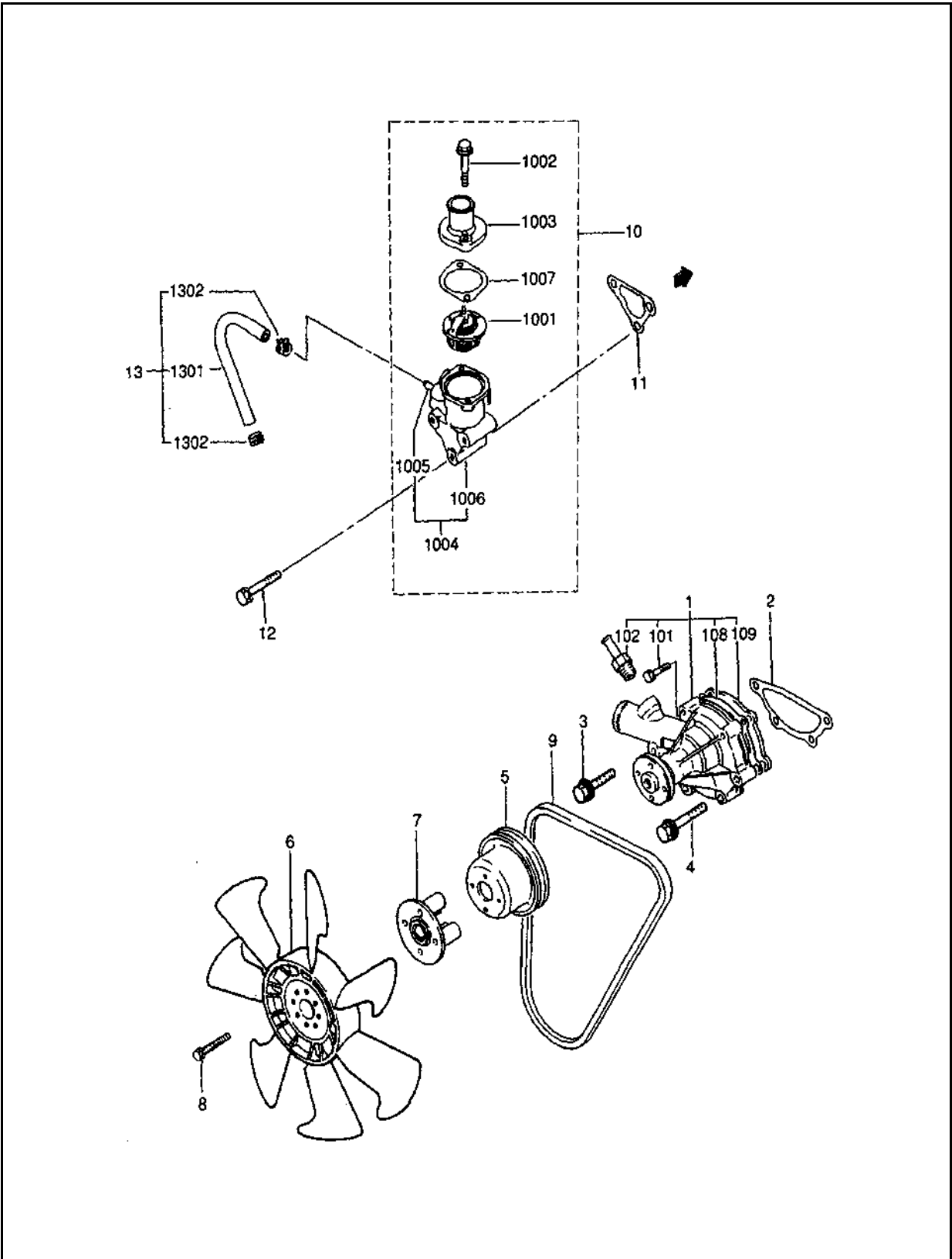
A-LT280D, B-LT300D, C-LT360D

FIG. 36

NO.	PART NO.	PART NAME & DESCRIPTION	QTY			APP. NO	REM.
			A	B	C		
1	31A35-05050	STRAINER ASSY	1	1	1		
01	MF430729	NUT, JAM	1	1	1		
2	MF660036	GASKET	1	1	1		
3	32A36-05011	VALVE ASSY, RELIEF	1	1	1		
01	*	HOUSING, VALVE	1	1	1		
02	*	PLUG	1	1	1		
03	*	GASKET	1	1	1		
04	*	SPRING, RELIEF	1	1	1		
05	*	PLUNGER, RELIEF	1	1	1		
4	F4202-22000	GASKET	1	1	1		
5	MD134953	FILTER ASSY, OIL	1	1	1		
6	31A42-10100	GAGE, OIL LEVEL	1	1	1		
7	MM430598	DRIVEN UNIT, METER	1	1	1		
01	MD701788	O-RING	1	1	1		
02	MF472535	PIN, SPRING	1	1	1		
03	MF520012	O-RING	1	1	1		
04	MM407171	GEAR	1	1	1		
05	MM430419	SLEEVE	1	1	1		
8	MD701789	PLATE	1	1	1		
9	F1805-06012	BOLT, W/WASHER	1	1	1		

COOLING SYSTEM

FIG. 45



COOLING SYSTEM

A-LT280D, B-LT300D, C-LT360D

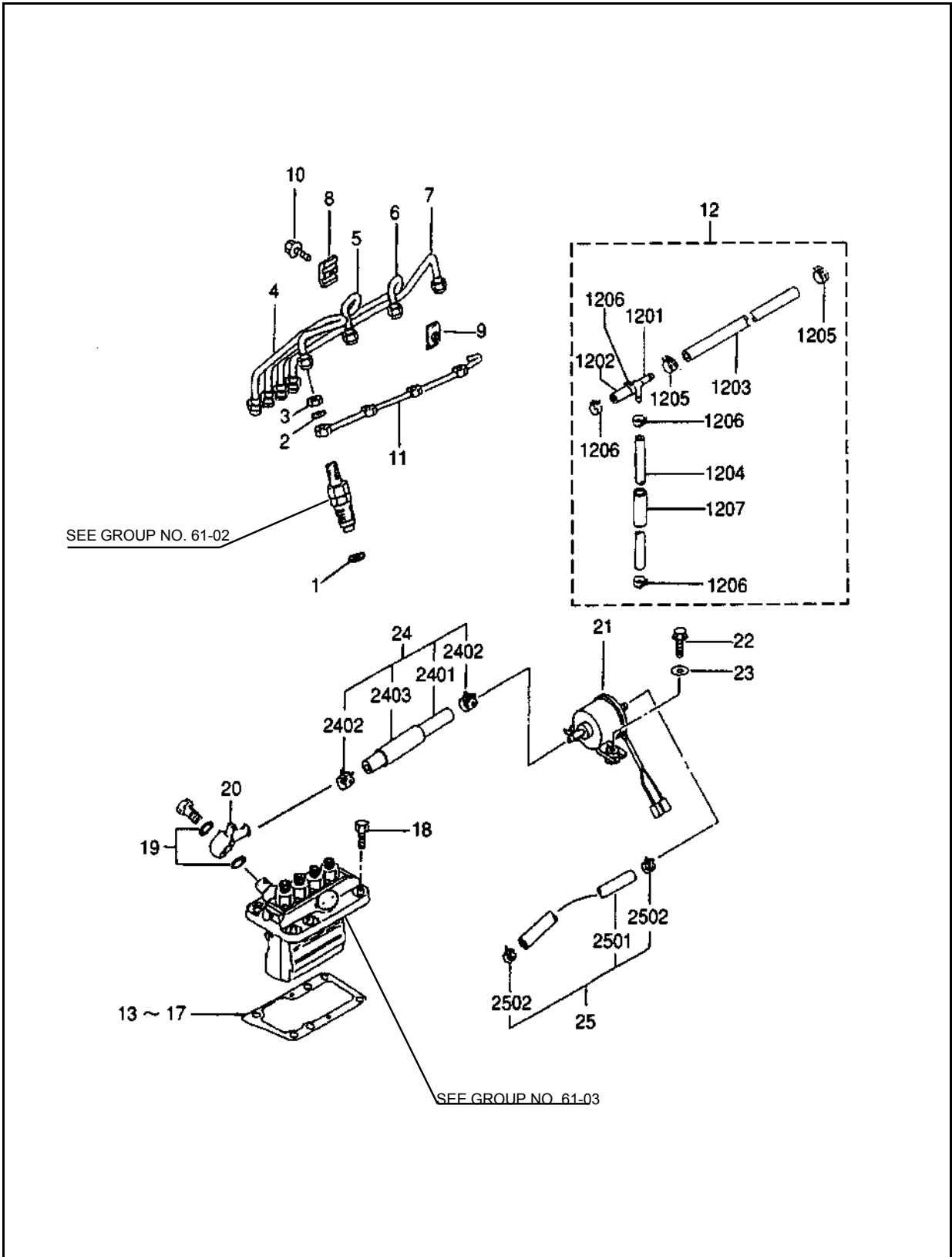
A-LT280D, B-LT300D, C-LT360D

FIG. 45

NO.	PART NO.	PART NAME & DESCRIPTION	QTY			APP. NO	REM.
			A	B	C		
1	MM409302	PUMP ASSY, WATER	1	1	1		
01	F1805-06030	BOLT, W/WASHER	2	2	2		
02	MM409314	JOINT, WATER PUMP	1	1	1		
08	MM409326	GASKET, WATER PUMP	1	1	1		
09	MM409327	PLATE, WATER PUMP	1	1	1		
2	MM407-42202	GASKET, WATER PUMP	1	1	1		
3	F1825-08045	BOLT, W/WASHER	3	3	3		
4	F1825-08060	BOLT, W/WASHER	1	1	1		
5	31A45-20700	PULLEY, W/PUMP 89	1	1	1		
6	30H48-00200	FAN, COOLING	1	1	1		
7	31A48-01100	SPACER, FAN	2	2	2		
8	MF241242	BOLT, W/WASHER	4	4	4		
9	MD041704	V-BELT	1	1	1		
10	31A46-01060	THERMOSTAT ASSY	1	1	1		
01	MD001370	THERMOSTAT	1	1	1		
02	MF140227	BOLT, FLANGE	2	2	2		
03	MM409-31301	COVER, THERMOSTAT	1	1	1		
04	31A46-00062	CASE ASSY, THERMOSTAT	1	1	1		
05	*	PIPE, THERMOSTAT	1	1	1		
06	*	CASE, THERMOSTAT	1	1	1		
07	31A46-01200	GASKET, THERMOSTAT	1	1	1		
11	31A46-10101	GASKET, THERMO CASE	1	1	1		
12	F1805-08065	BOLT, W/WASHER	3	3	3		
13	MM413196	HOSE ASSY	1	1	1		
01	MS603014	HOSE	1	1	1		
02	MS660164	CLIP	2	2	2		

FUEL SYSTEM

FIG. 61-01



FUEL SYSTEM

A-LT280D, B-LT300D, C-LT360D

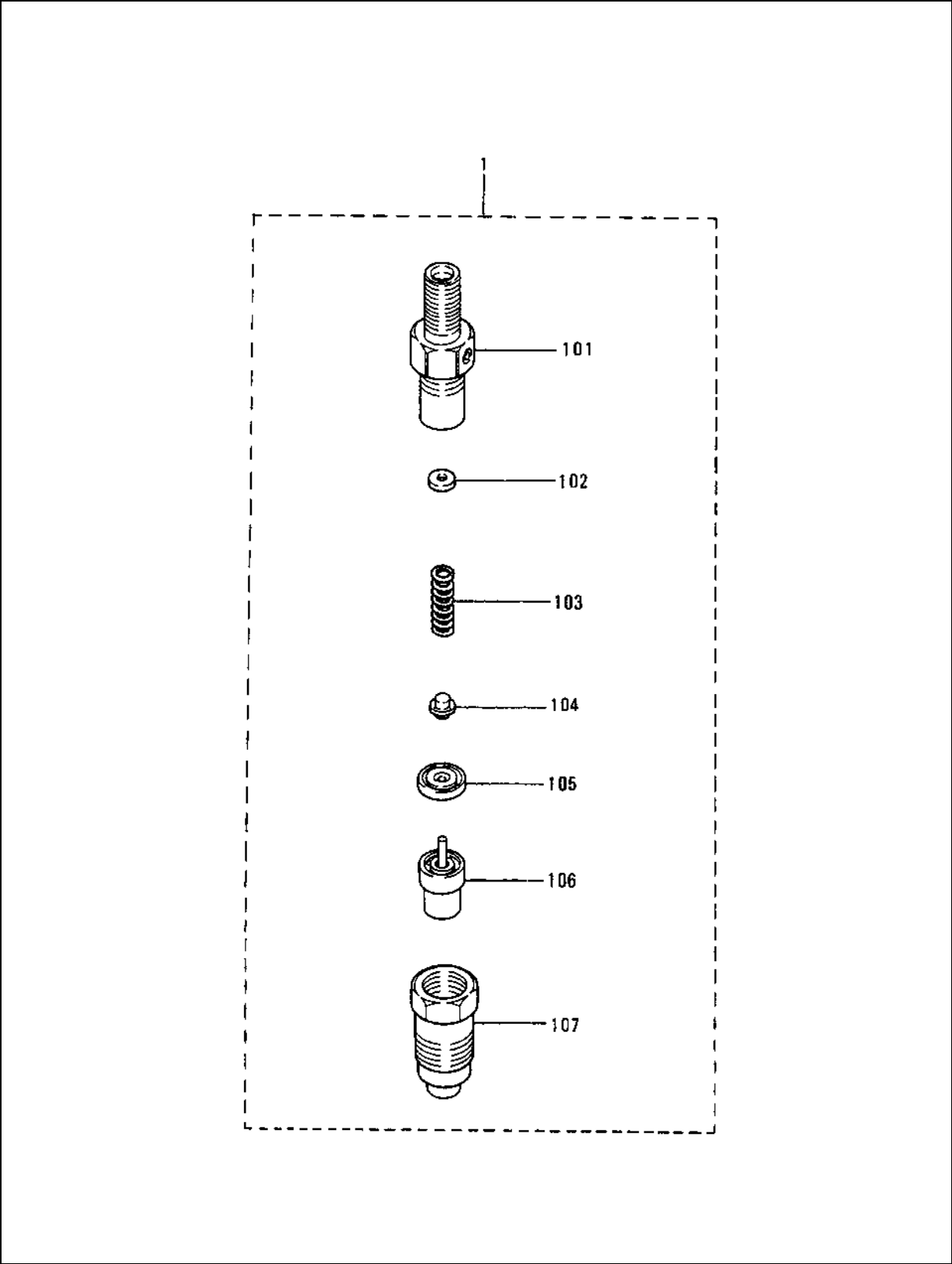
A-LT280D, B-LT300D, C-LT360D

FIG. 61-01

NO.	PART NO.	PART NAME & DESCRIPTION	QTY			APP. NO	REM.
			A	B	C		
1	MD070717	GASKET, HOLDER	4	4	4		
2	MD068355	GASKET, FUEL RETURN	4	4	4		
3	MD068353	NUT	4	4	4		
4	31A61-04100	PIPE, INJECTION NO.1	1	1	1		
5	31A61-04200	PIPE, INJECTION NO.2	1	1	1		
6	31A61-04300	PIPE, INJECTION NO.3	1	1	1		
7	31A61-04400	PIPE, INJECTION NO.4	1	1	1		
8	MM430703	CLAMP (A)	3	3	3		
9	MM430614	CLAMP (B)	3	3	3		
10	F1825-06025	BOLT, W/WASHER	3	3	3		
11	31A61-12600	PIPE, FUEL LEAK OFF	1	1	1		
12	31A61-03200	HOSE ASSY, AIR VENT	1	1	1		
01	MM400886	JOINT	1	1	1		
02	MM430130	HOSE, FUEL	1	1	1		
03	MS602063	HOSE, FUEL	1	1	1		
04	MS604043	HOSE, FUEL	1	1	1		
05	MS660163	CLIP	2	2	2		
06	MS660169	CLIP	4	4	4		
07	31A61-01200	HOSE, RUBBER	1	1	1		
13	MM409036	SHIM	T=0.7	1	1		
14	MM409037	SHIM	T=0.8	1	1		
15	MM409038	SHIM	T=0.9	1	1		
16	MM409039	SHIM	T=1.0	1	1		
17	MM409031	SHIM	T=0.2	1	1		
18	F1035-08020	BOLT	6	6	6		
19	MK661-14000	WASHER, SEAL	2	2	2		
20	MM437140	COLOR, UNION	1	1	1		
21	MM436739	PUMP ASSY, FUEL	1	1	1		
22	F1805-06025	BOLT, W/WASHER	2	2	2		
23	MD107589	WASHER	2	2	2		
24	31A61-05102	HOSE ASSY, FUEL	1	1	1		
01	MS602035	HOSE, FUEL	1	1	1		
02	MS660163	CLIP	2	2	2		
03	31A61-01300	HOSE, RUBBER	1	1	1		
25	MM413205	HOSE ASSY, FUEL	1	1	1		
01	MS602063	HOSE, FUEL	1	1	1		
02	MS660163	CLIP	2	2	2		

NOZZLE & NOZZLE HOLDER

FIG. 61-02



NOZZLE & NOZZLE HOLDER

A-LT280D, B-LT300D, C-LT360D

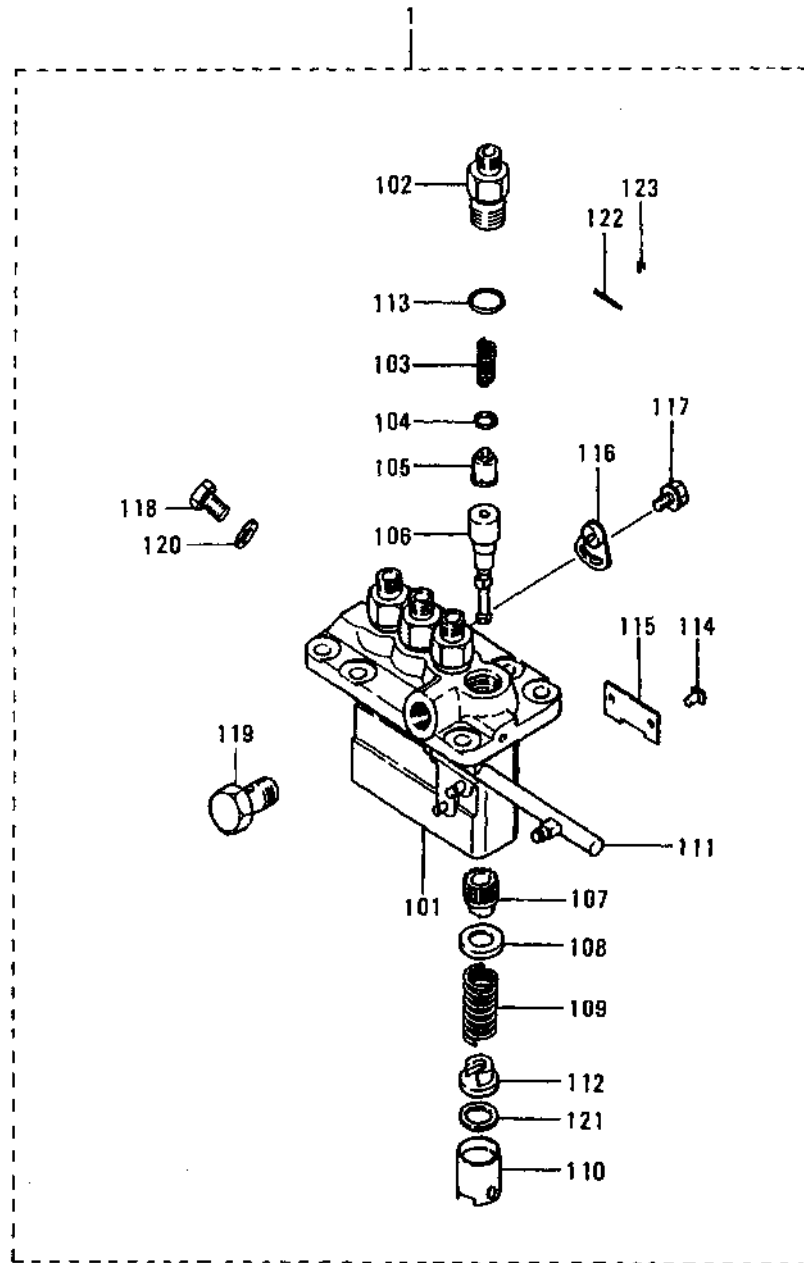
A-LT280D, B-LT300D, C-LT360D

FIG. 61-02

NO.	PART NO.	PART NAME & DESCRIPTION		QTY			APP. NO	REM.
				A	B	C		
1	MM435-94101	NOZZLE & HOLDER ASSY	093500-3840 DEN	4	4	4		
01	09311-03840	BODY SUB ASSY	MM514048	4	4	4		
02	09317-51810	WASHER	MD603490	AR	AR	AR		
	09317-51830	WASHER	MD603491	AR	AR	AR		
	09317-51850	WASHER	MD603492	AR	AR	AR		
	09317-51870	WASHER	MD603493	AR	AR	AR		
	09317-51890	WASHER	MD603494	AR	AR	AR		
	09317-51910	WASHER	MD603495	AR	AR	AR		
	09317-51930	WASHER	MD603496	AR	AR	AR		
	09317-51950	WASHER	MD603497	AR	AR	AR		
	09317-51970	WASHER	MD603498	AR	AR	AR		
	09317-51990	WASHER	MD603499	AR	AR	AR		
03	09312-70310	SPRING, PRESSURE	MM514047	4	4	4		
04	09312-10380	PIN, PRESSURE	MM501838	4	4	4		
05	09317-40070	PIECE, DISTANCE	MM501841	4	4	4		
06	09340-05060	NOZZLE ASSY	MD603660	4	4	4		
07	09316-41351	NUT, NOZZLE RETAINING	MM514380	4	4	4		

INJECTION PUMP

FIG. 61-03-01



INJECTION PUMP

A-LT280D, B-LT300D, C-LT360D

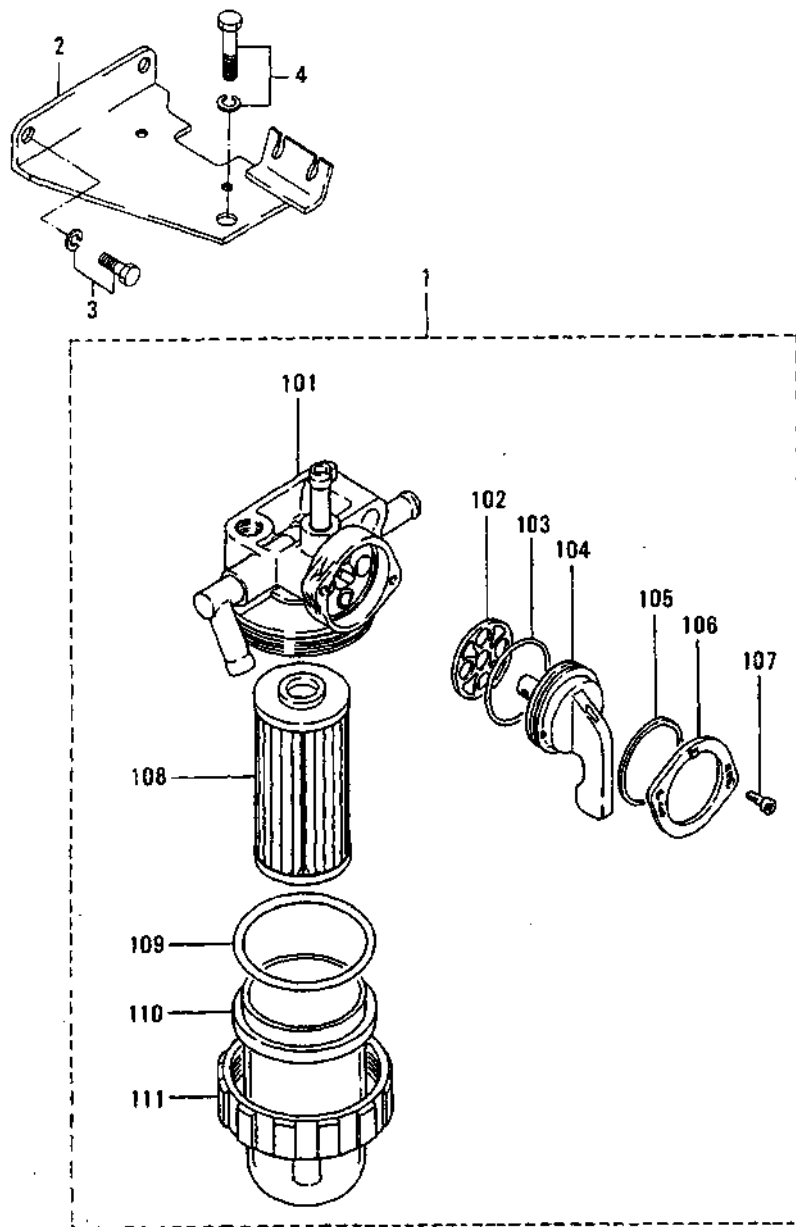
A-LT280D, B-LT300D, C-LT360D

FIG. 61-03-01

NO.	PART NO.	PART NAME & DESCRIPTION		QTY			APP. NO	REM.
				A	B	C		
1	31A65-20041	PUMP ASSY, FUEL INJ.	094500-6510 DEN	1	1	*		
	31A65-21040	PUMP ASSY, FUEL INJ.	094500-6444 NDC	*	*	1		
01	09011-05070	HOUSING SUB ASSY	47X01-04200	1	1	1		
02	09013-10520	HOLDER, DELIVERY	MM501507	4	4	4		
03	09013-60640	SPRING, DELIVERY	MM501385	4	4	4		
04	09013-70130	GASKET, DELIVERY	MM501856	4	4	4		
05	09014-02500	VALVE SUB ASSY	47X01-04300	4	4	*		
	09014-02610	VALVE SUB ASSY	47X01-07700	*	*	4		
06	09015-05450	ELEMENT SUB ASSY	47X01-04400	4	4	4		
07	09016-10210	SLEEVE, CONTROL	MM500229	4	4	4		
08	09016-30082	SEAT, SPRING UPPER	MM501098	4	4	4		
09	09016-40170	SPRING, PLUNGER	MM500360	4	4	4		
10	09017-00170	TAPPET SUB ASSY	MM500230	4	4	4		
11	09021-00440	RACK ASSY, CONTROL	MM501255	1	1	1		
12	09030-10060	SEAT, SPRING LOWER	MM500316	4	4	4		
13	90802-20150	O-RING	MM500438	4	4	4		
14	09018-30050	PIN, TAPPET GUIDE	MM500231	4	4	4		
15	09046-70030	PLATE	MM500232	2	2	2		
16	09006-80020	PLATE, ADJUSTING	MM514109	3	3	3		
17	94904-80800	BOLT, WASHER HEAD	MM514195	3	3	3		
18	09024-40180	SCREW, AIR BLEEDER	MM501152	1	1	1		
19	94918-00310	SCREW, HOLLOW	MM500100	1	1	1		
20	94901-81020	WASHER, PLATE	MM500578	1	1	1		
21	*	PLATE, SHIM		AR	AR	AR		
22	09450-36510	PLATE, NAME	47X01-06300	1	1	*		
	09450-36444	PLATE, NAME	47X01-05700	*	*	1		
23	94903-00030	RIVET	MM500429	2	2	2		

FUEL FILTER

FIG. 62



FUEL FILTER

A-LT280D, B-LT300D, C-LT360D

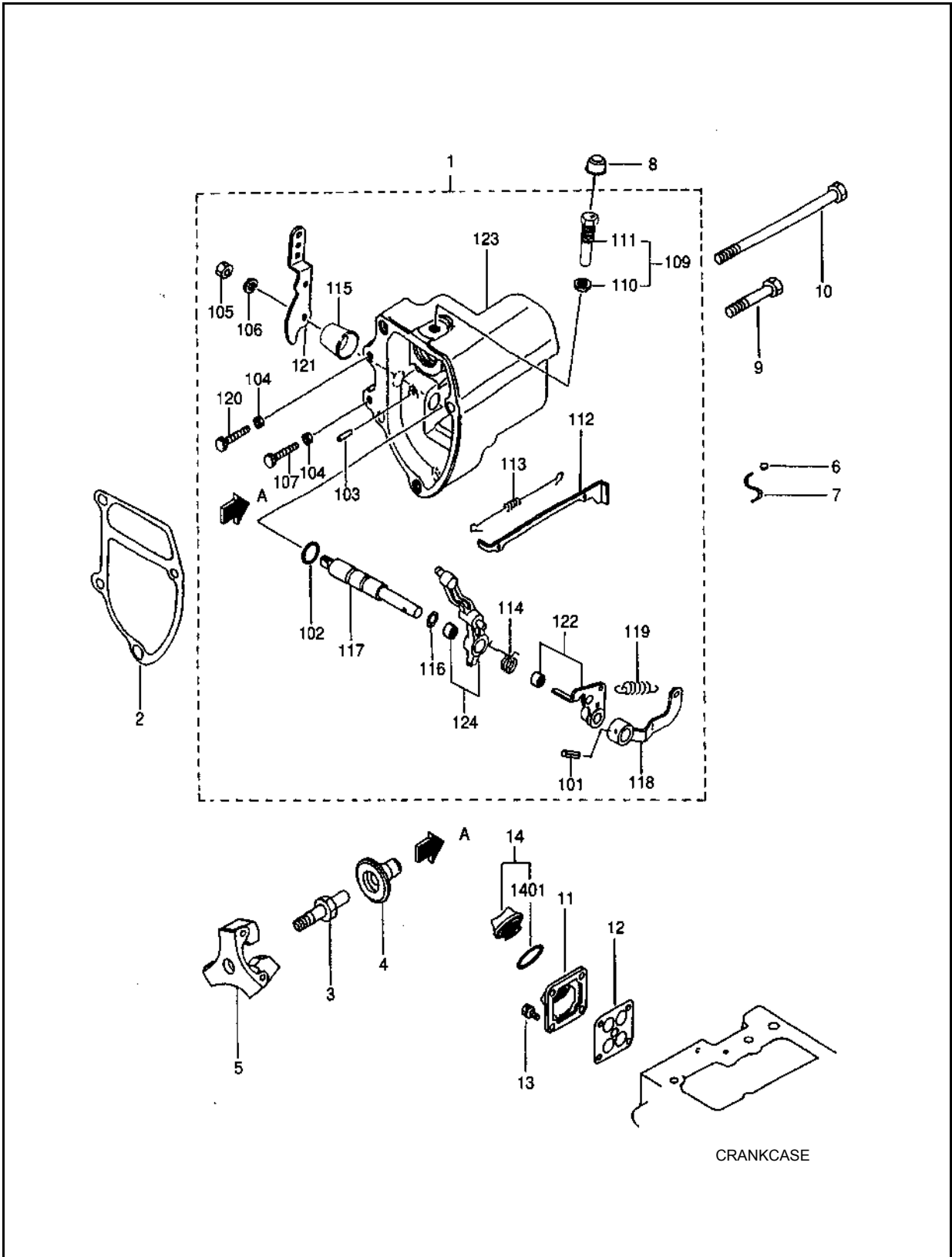
A-LT280D, B-LT300D, C-LT360D

FIG. 62

NO.	PART NO.	PART NAME & DESCRIPTION		QTY			APP. NO	REM.
				A	B	C		
1	MM438739	FILTER ASSY, FUEL	094500-6510 DEN	1	1	1		
01	MM438743	BODY	094500-6444 NDC	1	1	1		
02	MM438748	PACKING, VALVE	47X01-04200	1	1	1		
03	MM409866	O-RING, VALVE	MM501507	1	1	1		
04	MM438747	LEVER	MM501385	1	1	1		
05	MM409864	WASHER, WAVE	MM501856	1	1	1		
06	MM409865	PLATE, LEVER	47X01-04300	1	1	1		
07	MF200003	SCREW	47X01-07700	2	2	2		
08	MM320886	ELEMENT	47X01-04400	1	1	1		
09	MM409869	O-RING, FILTER CUP	MM500229	1	1	1		
10	MM320881	CUP, FILTER	MM501098	1	1	1		
11	MM409868	NUT, RING	MM500360	1	1	1		
2	31A62-21100	BRACKET, FUEL FILTER	MM500230	1	1	1		
3	F1805-08016	BOLT, W/WASHER	MM501255	2	2	2		
4	F1805-10020	BOLT, W/WASHER	MM500316	1	1	1		

GOVERNOR

FIG. 63-01



GOVERNOR

A-LT280D, B-LT300D, C-LT360D

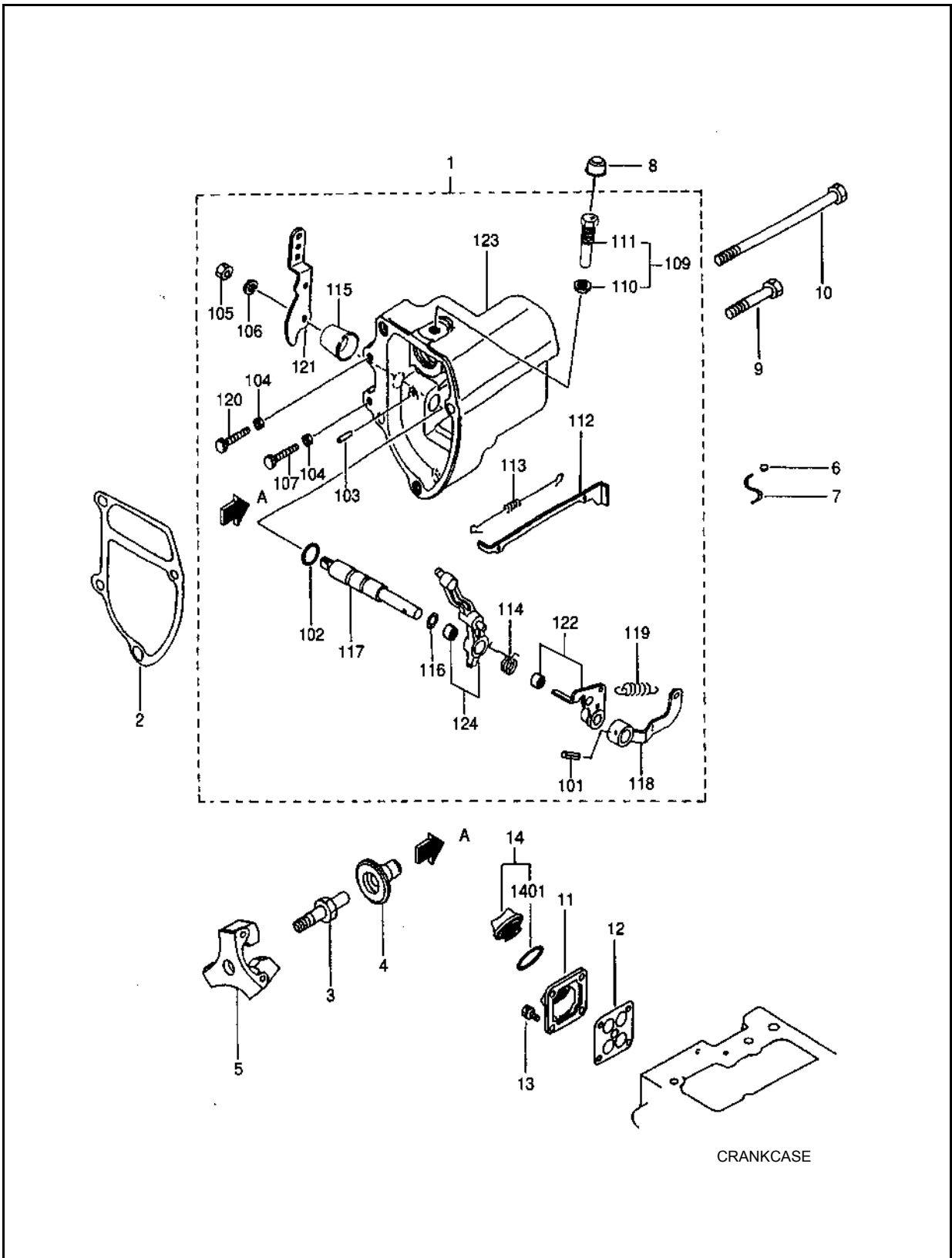
A-LT280D, B-LT300D, C-LT360D

FIG. 63-01

NO.	PART NO.	PART NAME & DESCRIPTION	QTY			APP. NO	REM.
			A	B	C		
1	31A63-55021	CASE ASSY, GOVERNOR	1	1	*		
01	F2850-03020	PIN, SPRING	1	1	*		
02	F3150-01010	O-RING	1	1	*		
03	K8712630	PIN, GROOVED	1	1	*		
04	MF430004	NUT	2	2	*		
05	MF430725	NUT, JAM	1	1	*		
06	MF450405	WASHER, SPRING	1	1	*		
07	MM331-31701	BOLT, SPEED SET	1	1	*		
09	30L63-00020	SCREW ASSY, RACK SET	1	1	*		
10	30L63-00600	NUT, TORQUE SET	1	1	*		
11	31A63-05601	SCREW, RACK SET	1	1	*		
12	31A63-00400	TIE-ROD	1	1	*		
13	31A63-00500	SPRING, TIE-ROD	1	1	*		
14	31A63-01400	SPRING, START	1	1	*		
15	31A63-01800	COVER, GOVERNOR	1	1	*		
16	31A63-02400	SHIM, GOVERNOR SHAFT	1	1	*		
17	31A63-02600	SHAFT, GOVERNOR	1	1	*		
18	31A63-02700	LEVER, GOV. SPRING	1	1	*		
19	31A63-03300	SPRING, GOVERNOR	1	1	*		
20	31A63-07900	BOLT, LOW IDLE SET	1	1	*		
21	31A63-11301	LEVER, SPEED CONTROL	1	1	*		
22	31A63-00071	LEVER ASSY, TENSION	1	1	*		
23	31A63-22100	CASE, GOVERNOR	1	1	*		
24	31A63-10090	LEVER ASSY, GOVERNOR	1	1	*		
2	31A63-12201	GASKET, GOVERNOR CASE	1	1	*		
3	31A63-10305	SHAFT, SLIDING SLEEVE	1	1	*		
4	31A63-20201	SLEEVE, SLIDING	1	1	*		
5	31A63-11061	WEIGHT ASSY, GOVERNOR	1	1	*		
6	MK992-00001	METAL	1	1	*		
7	MK993-00240	WIRE	1	1	*		
8	MM433614	CAP, TORQUE SET	1	1	*		
9	F1035-08045	BOLT	3	3	*		
10	31A63-02300	BOLT, GOVERNOR CASE	1	1	*		
11	MM435288	OIL, INLET	1	1	*		
12	MM435249	PROTECTOR, OIL INLET	1	1	*		
13	F1805-06018	BOLT, W/WASHER	4	4	*		
14	MM300540	CAP ASSY, OIL FILLER	1	1	*		
01	MF520402	O-RING	1	1	*		

GOVERNOR

FIG. 63-01



GOVERNOR

A-LT280D, B-LT300D, C-LT360D

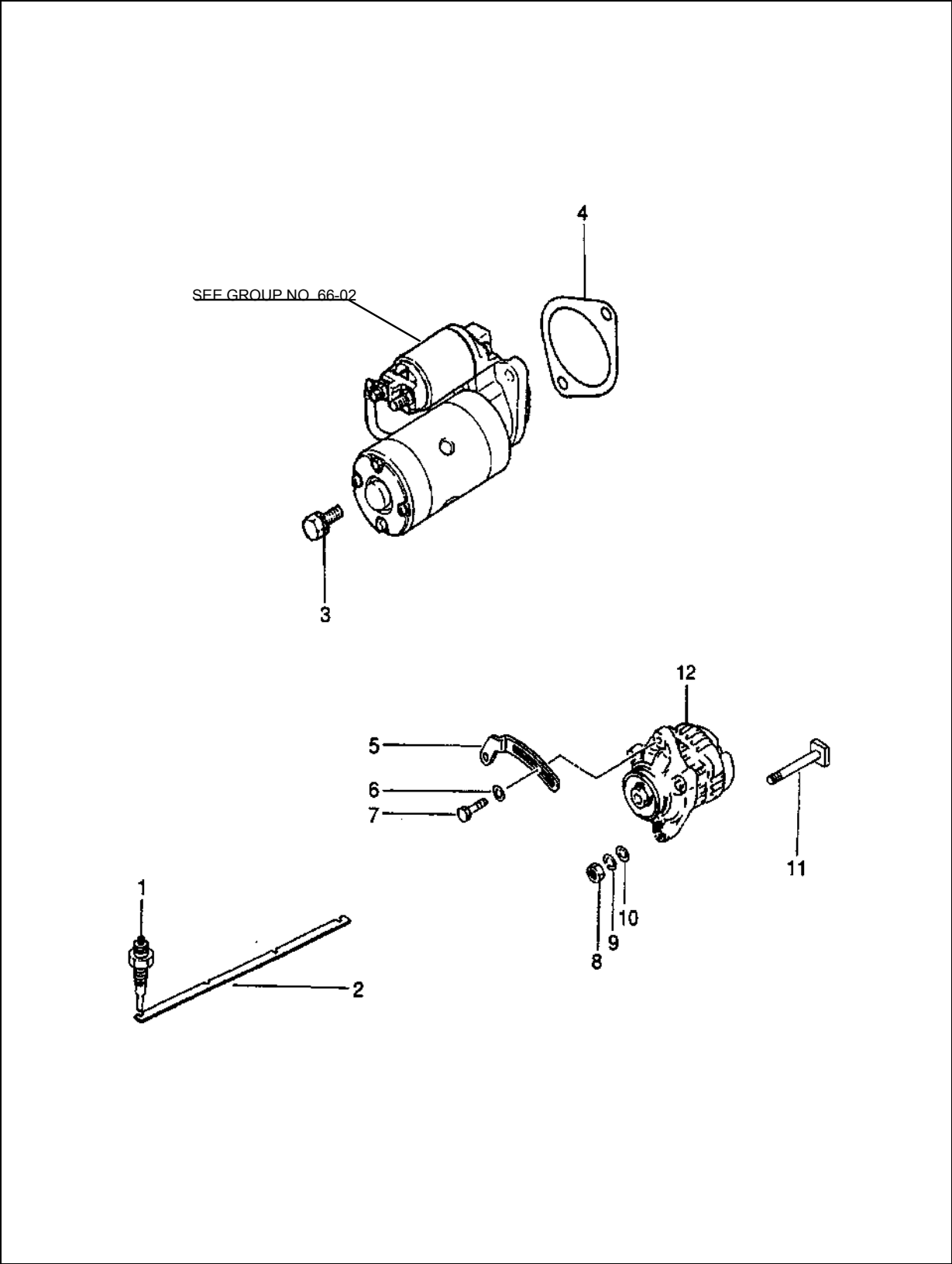
A-LT280D, B-LT300D, C-LT360D

FIG. 63-01

NO.	PART NO.	PART NAME & DESCRIPTION	QTY			APP. NO	REM.
			A	B	C		
1	31A63-09010	CASE ASSY, GOVERNOR	*	*	1		
01	F2850-03020	PIN, SPRING	*	*	1		
02	F3150-01010	O-RING	*	*	1		
03	K8712630	PIN, GROOVED	*	*	1		
04	MF430004	NUT	*	*	2		
05	MF430725	NUT, JAM	*	*	1		
06	MF450405	WASHER, SPRING	*	*	1		
07	MM331-31701	BOLT, SPEED SET	*	*	1		
09	MM433673	SPRING	*	*	1		
10	31A63-00400	TIE-ROD	*	*	1		
11	31A63-00500	SPRING, TIE-ROD	*	*	1		
12	31A63-01400	SPRING, START	*	*	1		
13	31A63-01800	COVER, GOVERNOR	*	*	1		
14	31A63-02400	SHIM, GOVERNOR SHAFT	*	*	1		
15	31A63-02600	SHAFT, GOVERNOR	*	*	1		
16	31A63-02700	LEVER, GOV. SPRING	*	*	1		
17	31A63-04040	SPRING SET, TORQUE	*	*	1		
18	MD000961	NUT	*	*	1		
19	MD019845	SCREW, ADJUSTING	*	*	1		
20	MM433233	NUT, SPECIAL	*	*	1		
21	MM434542	CASE, TORQUE SPRING	*	*	1		
22	MM435203	SPRING, TORQUE	*	*	1		
23	31A63-04200	STOPPER, SPRING	*	*	1		
24	31A63-07900	BOLT, LOW IDLE SET	*	*	1		
25	31A63-11301	LEVER, SPEED CONTROL	*	*	1		
26	31A63-00071	LEVER ASSY, TENSION	*	*	1		
27	31A63-22100	CASE, GOVERNOR	*	*	1		
28	31A63-10090	LEVER ASSY, GOVERNOR	*	*	1		
2	31A63-12201	GASKET, GOVERNOR CASE	*	*	1		
3	31A63-10305	SHAFT, SLIDING SLEEVE	*	*	1		
4	31A63-20201	SLEEVE, SLIDING	*	*	1		
5	31A63-11061	WEIGHT ASSY, GOVERNOR	*	*	1		
6	MK992-00001	METAL	*	*	1		
7	MK993-00240	WIRE	*	*	1		
8	MM433614	CAP, TORQUE SET	*	*	1		
9	F1035-08045	BOLT	*	*	3		
10	31A63-02300	BOLT, GOVERNOR CASE	*	*	1		
11	MM435288	OIL, INLET	*	*	1		
12	MM435249	PROTECTOR, OIL INLET	*	*	1		
13	F1805-06018	BOLT, W/WASHER	*	*	4		
14	MM300540	CAP ASSY, OIL FILLER	*	*	1		
01	MF520402	O-RING	*	*	1		

ELECTRIC PARTS

FIG. 66-01



ELECTRIC PARTS

A-LT280D, B-LT300D, C-LT360D

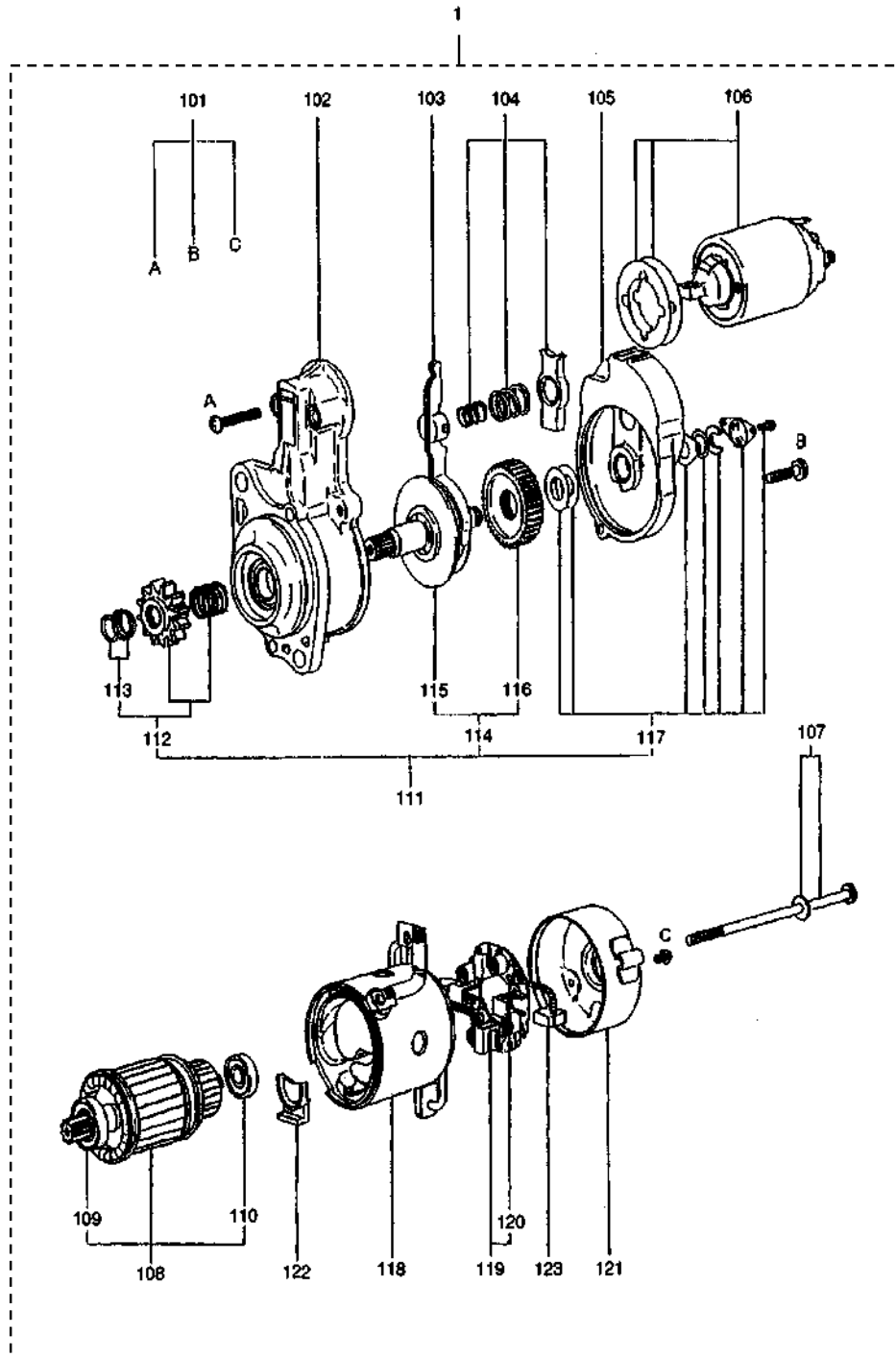
A-LT280D, B-LT300D, C-LT360D

FIG. 66-01

NO.	PART NO.	PART NAME & DESCRIPTION	QTY			APP. NO	REM.
			A	B	C		
1	32A66-03100	PLUG, GLOW	4	4	4		
2	31A66-04101	PLATE, CONNECTION	1	1	1		
3	F1805-10025	BOLT, W/WASHER	2	2	2		
4	MM409-41901	GASKET, STARTER	1	1	1		
5	31A68-02100	PLATE, ADJUSTING	1	1	1		
6	MD001521	WASHER	1	1	1		
7	MF140026	BOLT, FLANGE	1	1	1		
8	MF430006	NUT	2	2	2		
9	MF450406	WASHER, SPRING	1	1	1		
10	MF450006	WASHER, PLAIN	1	1	1		
11	31A68-20300	BOLT, ALTERNATOR	1	1	1		
12	31A68-00402	ALTERNATOR ASSY	1	1	1		

STARTER (12V-2.0Kw)

FIG. 66-02



STARTER (12V-2.0Kw)

A-LT280D, B-LT300D, C-LT360D

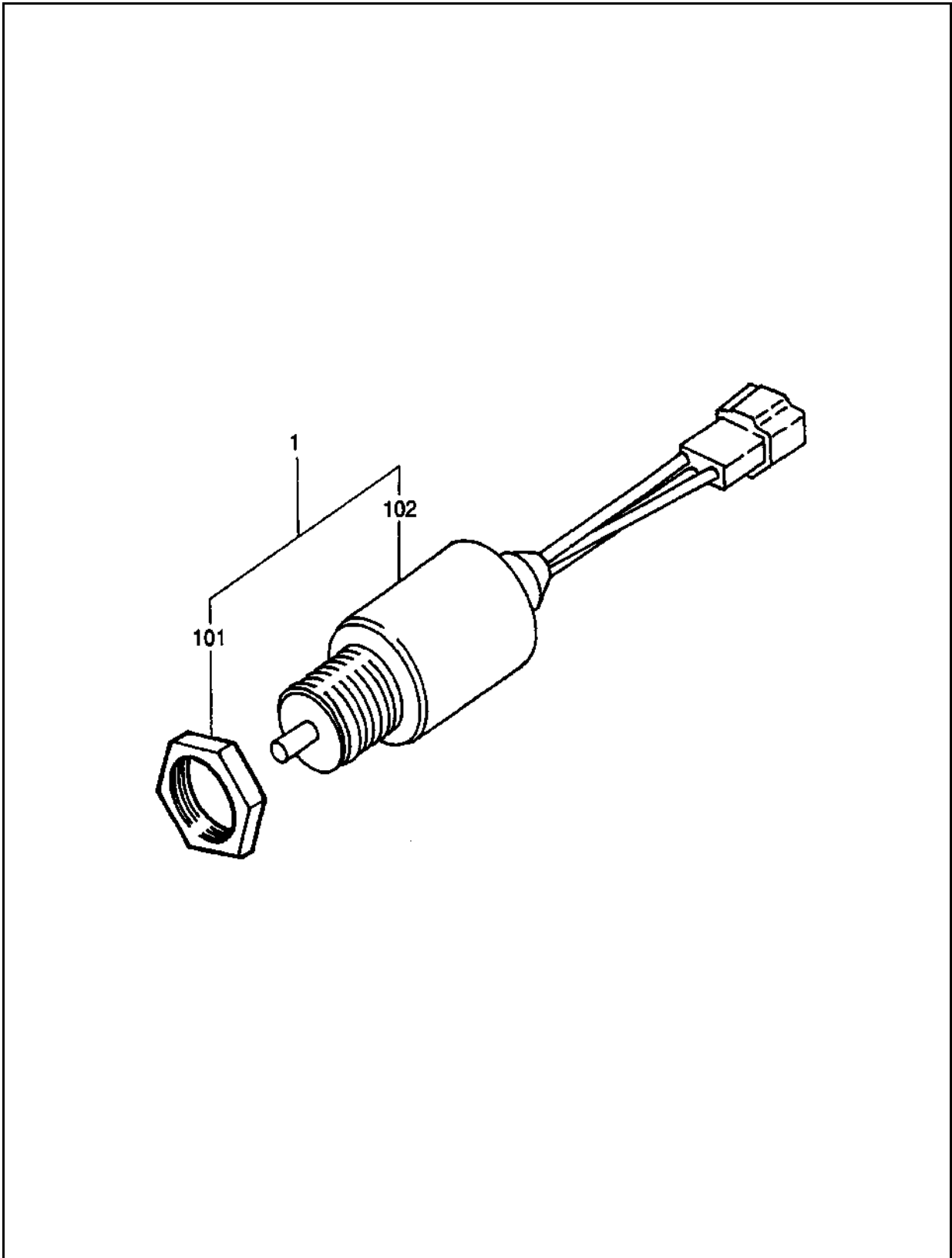
A-LT280D, B-LT300D, C-LT360D

FIG. 66-02

NO.	PART NO.	PART NAME & DESCRIPTION		QTY			APP. NO	REM.
				A	B	C		
1	MM409413	STARTER ASSY	M002T56272 MEC	1	1	1		
01	M414X-04871	SCREW SET	30A66-00200	1	1	1		
02	M641X-65471	BRACKET ASSY, FRONT	MM502452	1	1	1		
03	M863C-06171	LEVER ASSY	MD607633	1	1	1		
04	M389X-11472	SPRING SET	MD607446	1	1	1		
05	M640B-27771	BRACKET ASSY, CENTER	MM502441	1	1	1		
06	M372X-00471	SWITCH ASSY	MD607634	1	1	1		
07	M901X-00371	BOLT SET	30A66-00300	1	1	1		
08	M106X-29871	ARMATURE SET	MD607636	1	1	1		
09	S930P-16470	BEARING, FRONT	MD607643	1	1	1		
10	S930P-60470	BEARING, REAR	MD607638	1	1	1		
11	M357X-85371	SHAFT ASSY, CLUTCH	MM502438	1	1	1		
12	M605X-30671	PINION SET	MM502439	1	1	1		
13	M385X-03771	STOPER SET	ME700124	1	1	1		
14	M231X-01371	GEAR SET	MM502442	1	1	1		
15	M357T-73171	SHAFT ASSY, PINION	MD607642	1	1	1		
16	M231C-01301	GEAR	MM502443	1	1	1		
17	M212X-11771	COVER SET	MM700125	1	1	1		
18	M800X-44972	YOKE ASSY	MM502453	1	1	1		
19	M649T-05071	HOLDER ASSY, BRUSH	ME700127	1	1	1		
20	M391C-02501	SPRING, BRUSH	ME700128	4	4	4		
21	M644B-21201	BRACKET ASSY, REAR	30A66-00400	1	1	1		
22	M578D-22801	PACKING	MM502444	1	1	1		
23	M648C-28271	BRUSH	30A66-00500	1	1	1		

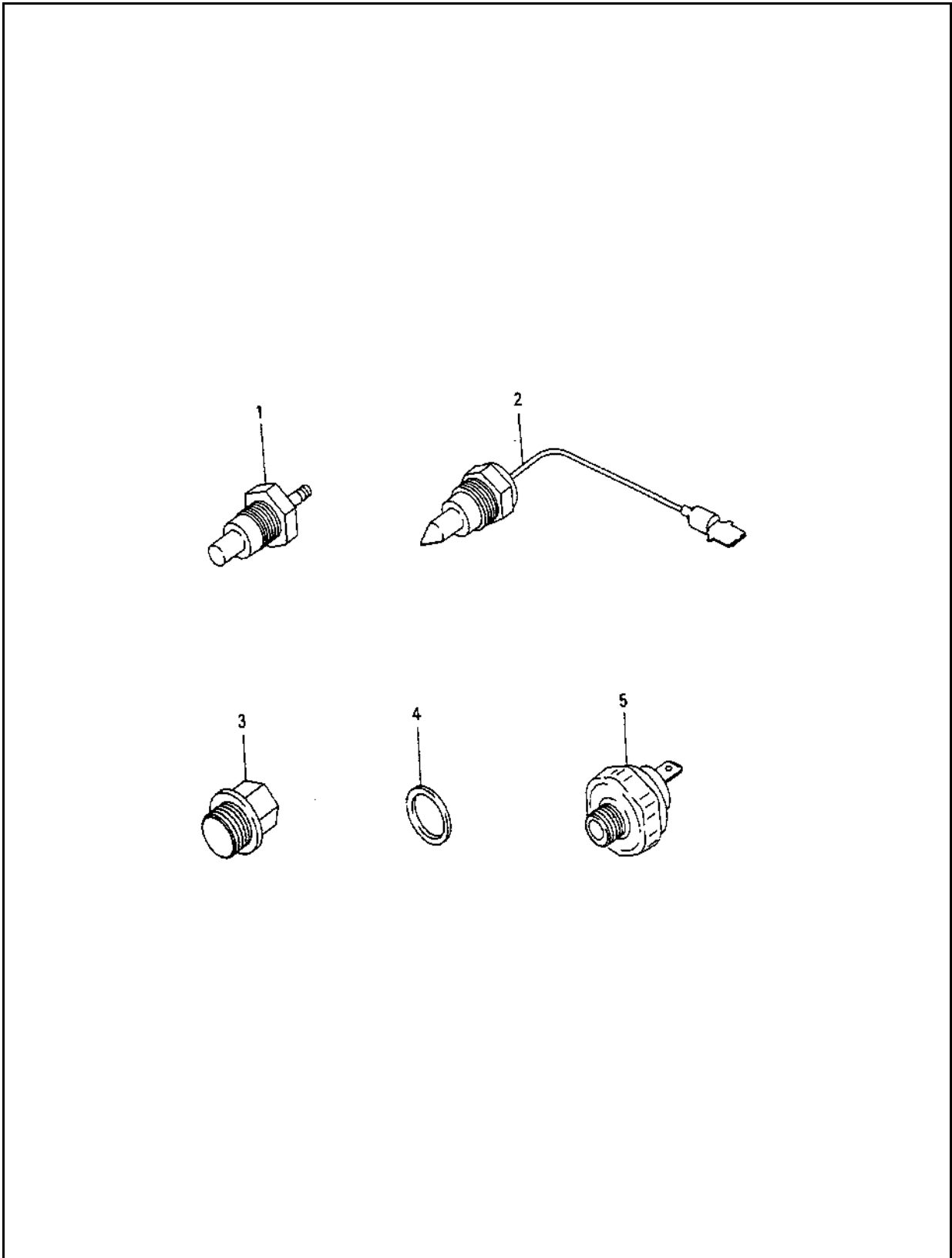
CONTROL SYSTEM

FIG. 87



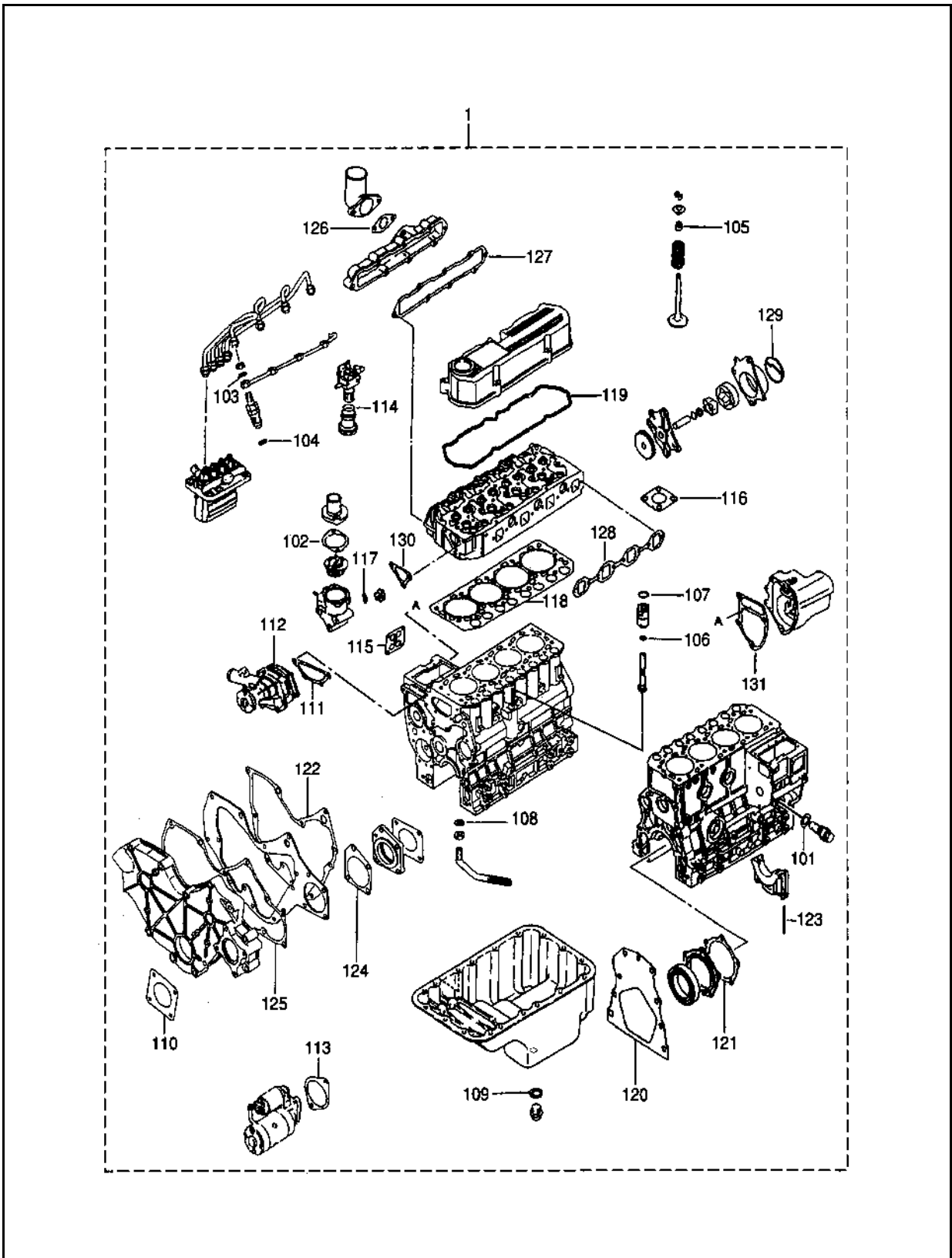
INSTRUMENT

FIG. 90



OVERHAUL GASKET KIT

FIG. 94



OVERHAUL GASKET KIT

A-LT280D, B-LT300D, C-LT360D

A-LT280D, B-LT300D, C-LT360D

FIG. 94

NO.	PART NO.	PART NAME & DESCRIPTION	QTY			APP. NO	REM.
			A	B	C		
1	31A94-30011	GASKET KIT, (O/H)	1	1	1		
01	F4202-22000	GASKET	1	1	1		
02	MD000551	GASKET	1	1	1		
03	MD068355	GASKET, FUEL RETURN	4	4	4		
04	MD070717	GASKET, HOLDER	4	4	4		
05	MD115472	SEAL, VALVE STEM	8	8	8		
06	MD701788	O-RING	1	1	1		
07	MF520012	O-RING	1	1	1		
08	MF660036	GASKET	1	1	1		
09	MF660065	GASKET, OIL DRAIN	2	2	2		
10	MM401-20601	GASKET, O/PUMP COVER	2	2	2		
11	MM407-42202	GASKET, WATER PUMP	1	1	1		
12	MM409326	GASKET, WATER PUMP	1	1	1		
13	MM409-41901	GASKET, STARTER	1	1	1		
14	MM409869	O-RING, FILTER CUP	1	1	1		
15	MM435249	PROTECTOR, OIL INLET	1	1	1		
16	30A30-00200	GASKET, MUFFLER	1	1	1		
17	30636-25901	GASKET	1	1	1		
18	31A01-33300	GASKET, CYLINDER HEAD	1	1	1		
19	31A04-33202	GASKET, ROCKER COVER	1	1	1		
20	31A07-02401	GASKET, REAR	1	1	1		
21	31A07-11701	GASKET, OIL SEAL	1	1	1		
22	31A07-11901	GASKET, FRONT PLATE	1	1	1		
23	31A07-12200	SEAL, SIDE	4	4	4		
24	31A11-05201	GASKET, HOUSING	1	1	1		
25	31A11-11101	GASKET, GEAR	1	1	1		
26	31A30-00801	GASKET, INLET PIPE	1	1	1		
27	31A30-10902	GASKET, INLET COVER	1	1	1		
28	31A32-01200	GASKET, EXHAUST	1	1	1		
29	31A35-02300	PACKING, BODY	1	1	1		
30	31A46-10101	GASKET, THERMO CASE	1	1	1		
31	31A63-12201	GASKET, GOVERNOR CASE	1	1	1		
32	32A91-05100	GASKET, LIQUID	1	1	1		